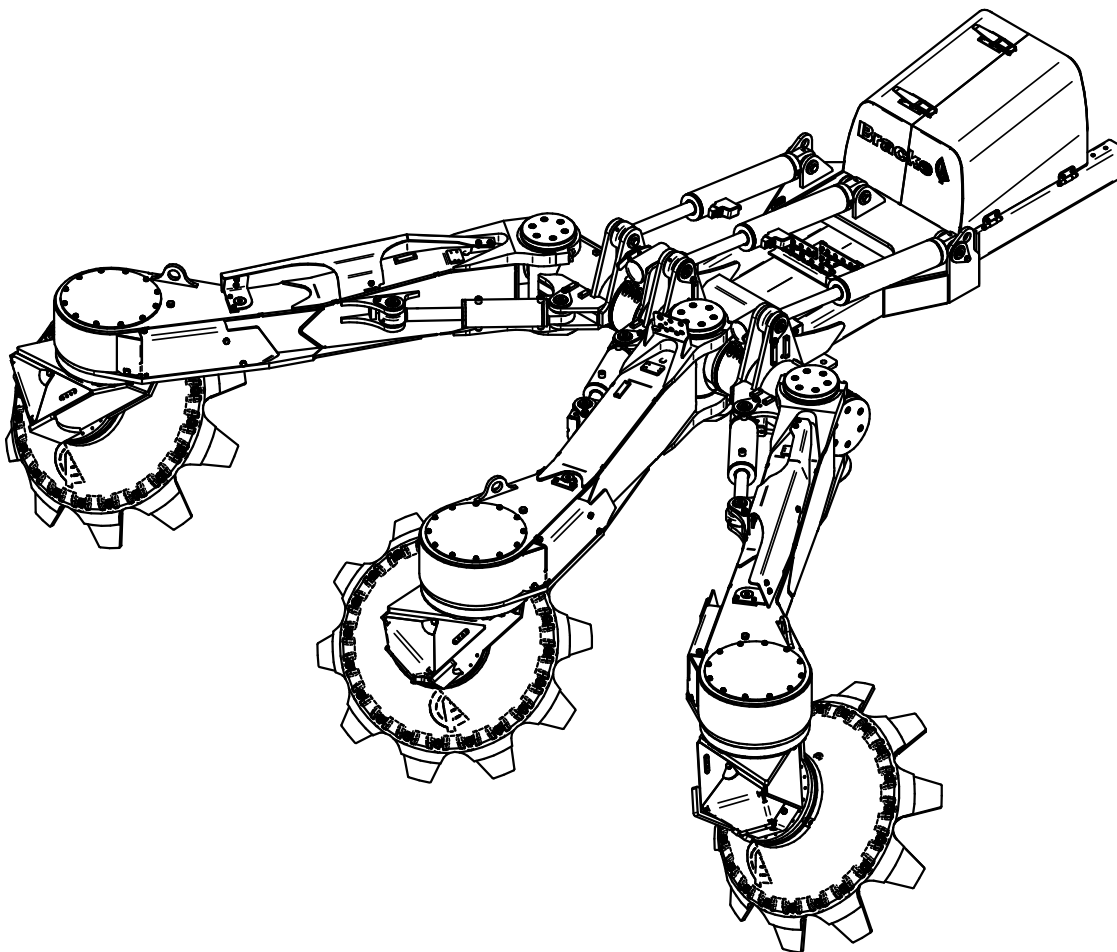


# *Scheman & Reservdelar*

## *Schematics & Spare parts*

---

***Bracke T35.b serienr./serial no. T351431-***



---

***Innehåll / Content***

Hydraulscheman / Hydraulic diagram  
Elscheman / Electrical schematics  
Reservdelar / Spare parts

***Grupp / Section***

11  
12  
13

---

Bracke Forest AB

Svedjegatan 11  
SE-843 31 BRÄCKE  
SWEDEN

Phone: +46 (0)693 – 10575  
Fax: +46 (0)693 – 10109

[www.brackeforest.com](http://www.brackeforest.com)  
[info@brackeforest.com](mailto:info@brackeforest.com)



# ***Grupp 11/ Section 11***

## ***Hydraulscheman / Hydraulic diagram***

---

### **Innehåll / Contents**

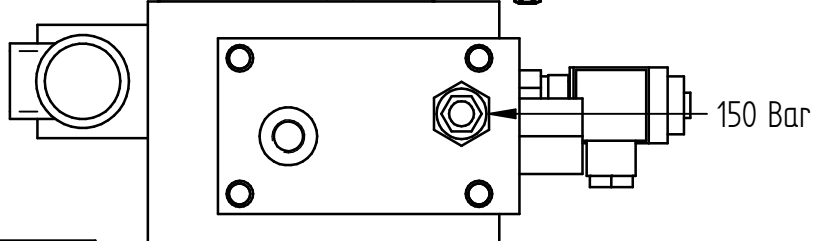
Tryckinställning LS, vänster ventilpaket / Pressure setting LS, left valve assembly .....	2
Tryckinställning LS, höger ventilpaket / Pressure setting LS, right valve assembly .....	3
Hydraulschema/ Hydraulic diagram.....	4

# Tryckinställning LS, vänster ventilpaket / Pressure setting LS, left valve assembly

Funktion  
Function

LMC h  
LGC r Chock 50 Bar

LMC v  
LGC l Chock 50 Bar

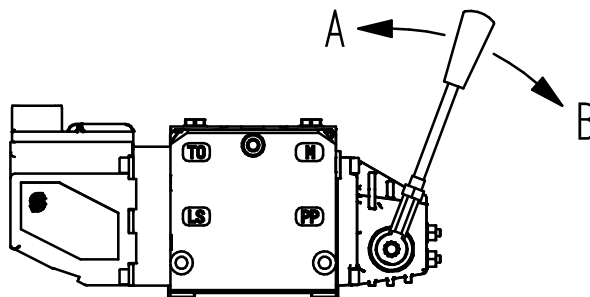


TC v  
DC l 50 Bar  
Chock 100 Bar

BC v  
SC l 60 Bar  
Chock 100 Bar

Motor m  
Motor m 160 Bar  
Chock 190 Bar

Motor v  
Motor l 160 Bar  
Chock 190 Bar

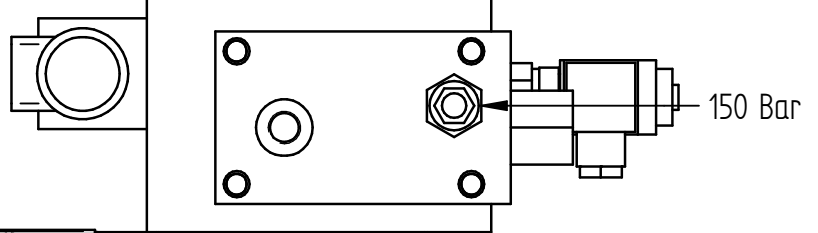
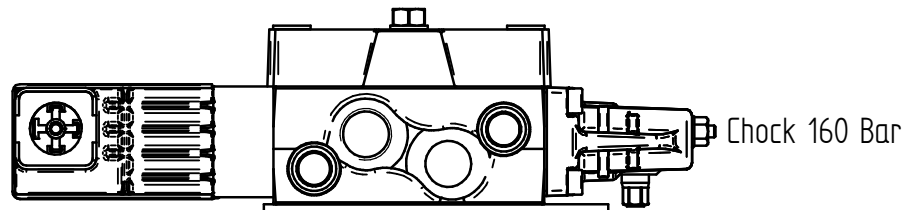


# Tryckinställning LS, höger ventilpaket / Pressure setting LS, right valve assembly

Funktion  
Function

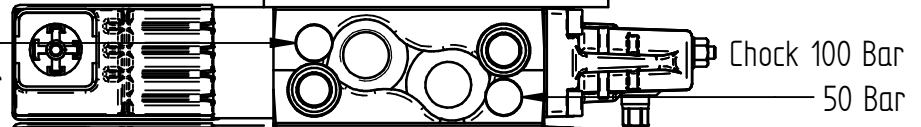
LMC m  
LGC m

Chock 50 Bar



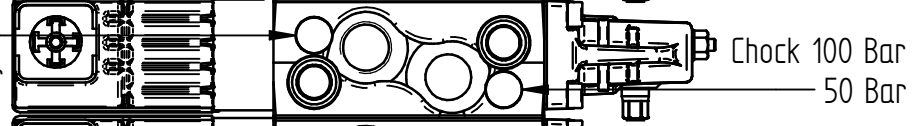
TC h  
DC r

50 Bar  
Chock 100 Bar



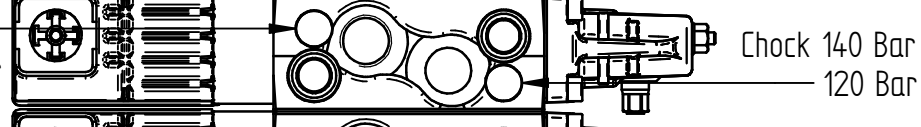
TC m  
DC m

50 Bar  
Chock 100 Bar



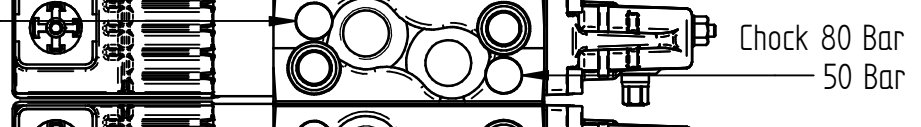
BC h  
SC r

60 Bar  
Chock 100 Bar



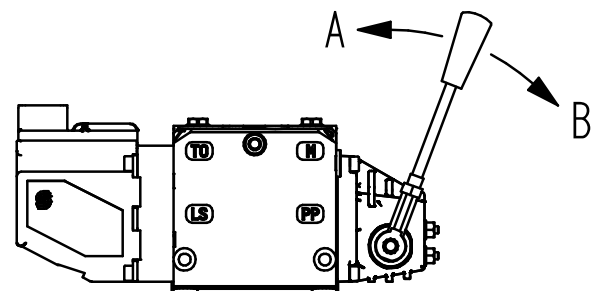
BC m  
SC m

60 Bar  
Chock 100 Bar

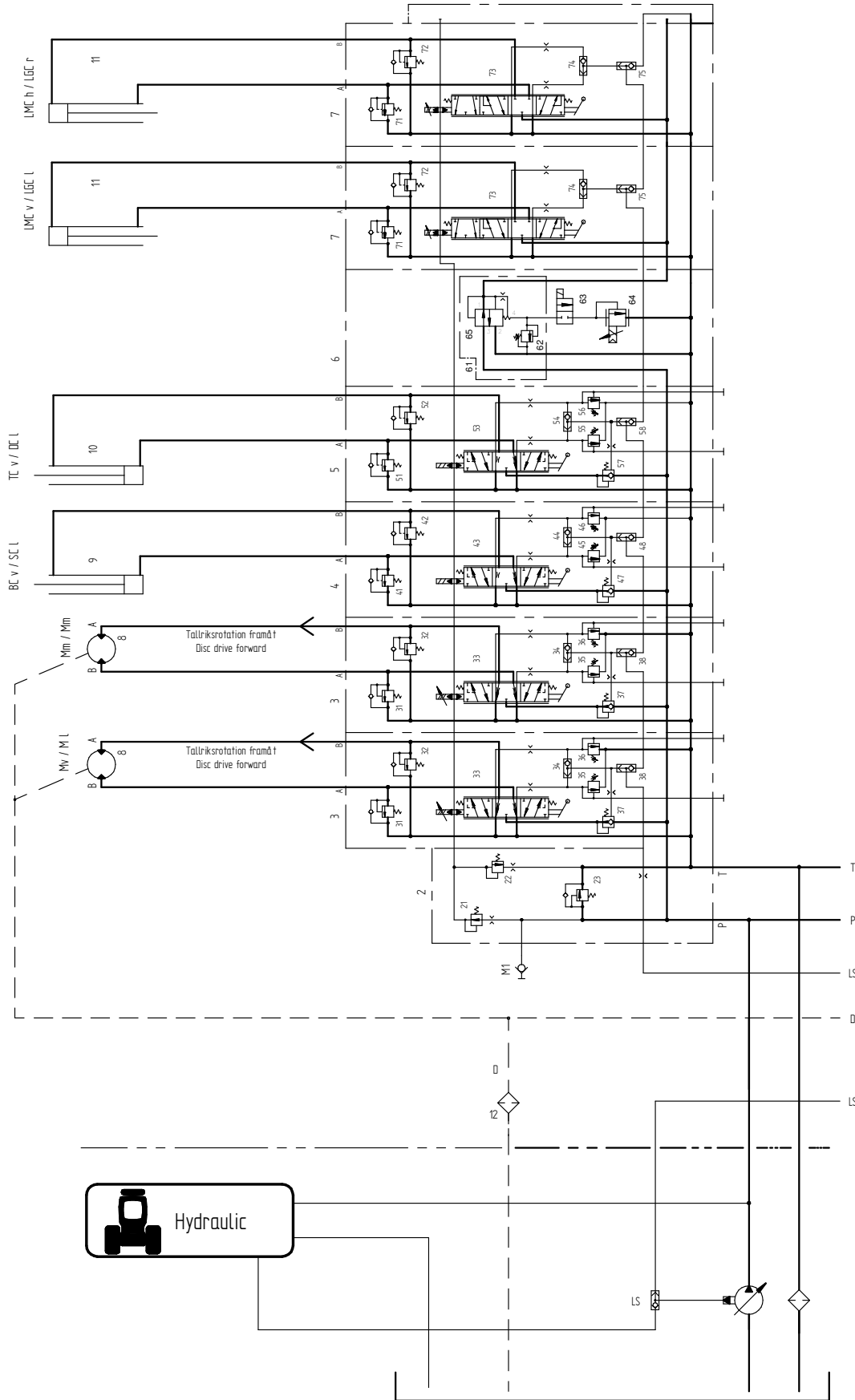


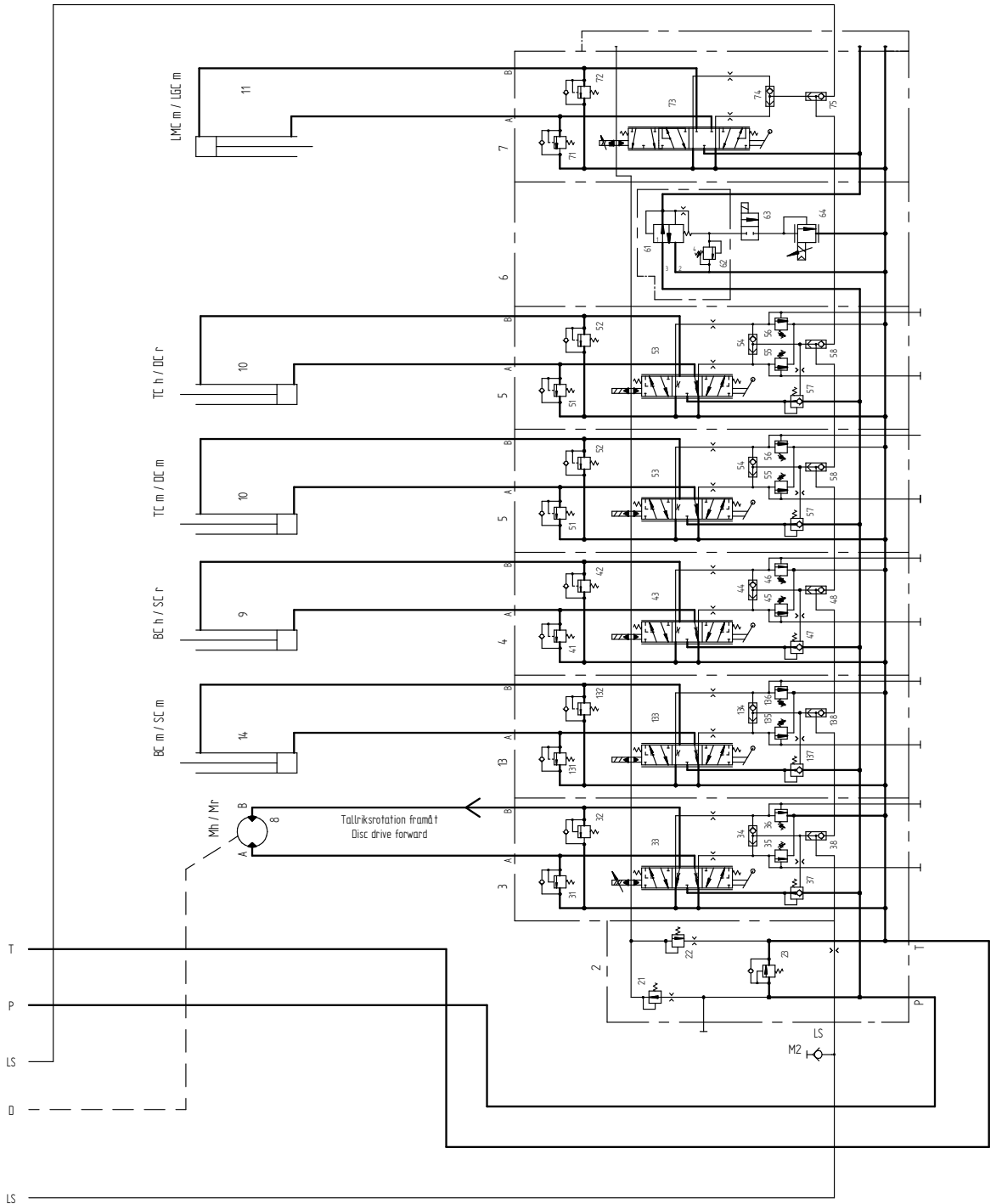
Motor h  
Motor r

160 Bar  
Chock 190 Bar



# Hydraulschema/ Hydraulic diagram







**T35.b** Hydraulscheman  
Hydraulic diagram

T35b\_G11 161103

**Grupp** 11  
**Sida** 6



# ***Grupp 12 / Section 12***

## ***Elschewan / Electrical schematics***

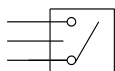
---

### **Innehåll / Contents**

Symboler och förkortningar / Symbols and abbreviations .....	2
Spänningsmatningskabel 091109 .....	3
Displaykabel 016099 .....	3
CAN-kabel 091113.....	3
Elschema cylindergivare .....	3
Cablåda.....	4
Manöverspak .....	5
Maskinlåda .....	6
Power supply cable 091109.....	8
Display cable 016099 .....	8
CAN cable 091113 .....	8
Position sensor for hydraulic cylinder.....	8
Cab-box .....	9
Operating control.....	10
Machine box .....	11
Connection box for fan / lubrication pump (Optional).....	13

## Symboler och förkortningar / Symbols and abbreviations

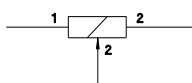
**B-1** ← ——— Kontakttyp och stiftnr. / Plug type and pin No



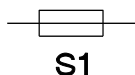
Induktiv givare / Inductive sensor



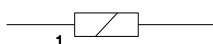
Plintbeteckning / Terminal block



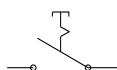
Proportionalventil / Proportional valve



Säkring / Fuse




On/off ventil / On/off valve



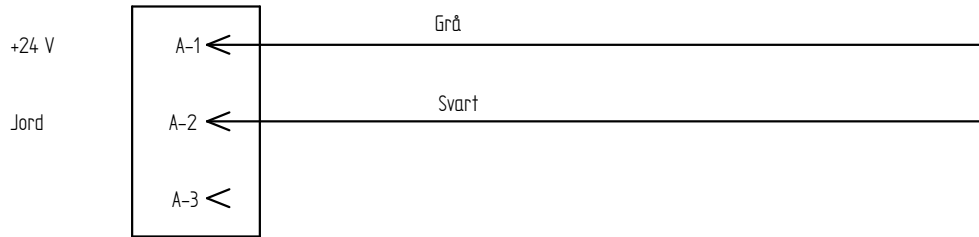
Omkopplare / Switch

BCG m	Breddarcylindergivare, mitten
TCG h	Tallrikscylindergivare, höger
BC v	Breddarcylinder, vänster
TC h	Tallriksvinkelcylinder, höger
LMC v	Lyft och marktryckcylinder, vänster
KS	Kardansensor

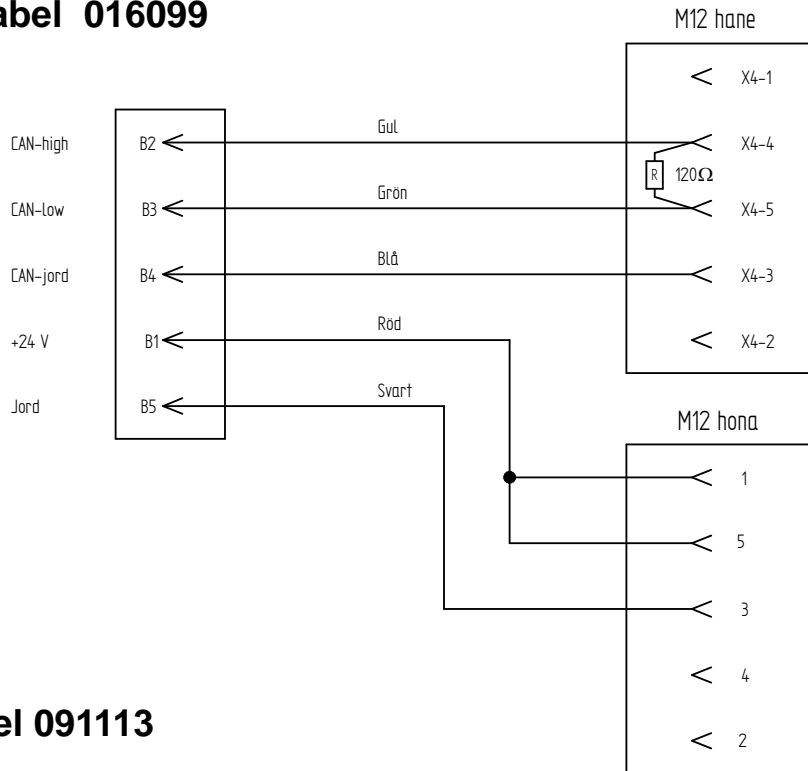
SC l -sensor	Spacing cylinder sensor, left
DC m -sensor	Disc cylinder sensor, middle
SC l	Spacing cylinder, left
SS r	Spacing sensor, right
DC r	Disc angle cylinder, right
LGC l	Lift and ground pressure cylinder, left
DS	Driveshaft sensor
LS r	Limit sensor, right

	<b>T35.b</b> <b>Elscheman / Electrical</b> <b>schematics</b>	T35b_G12	180910
		<b>Grupp</b>	<b>12</b>
		<b>Sida</b>	<b>2</b>

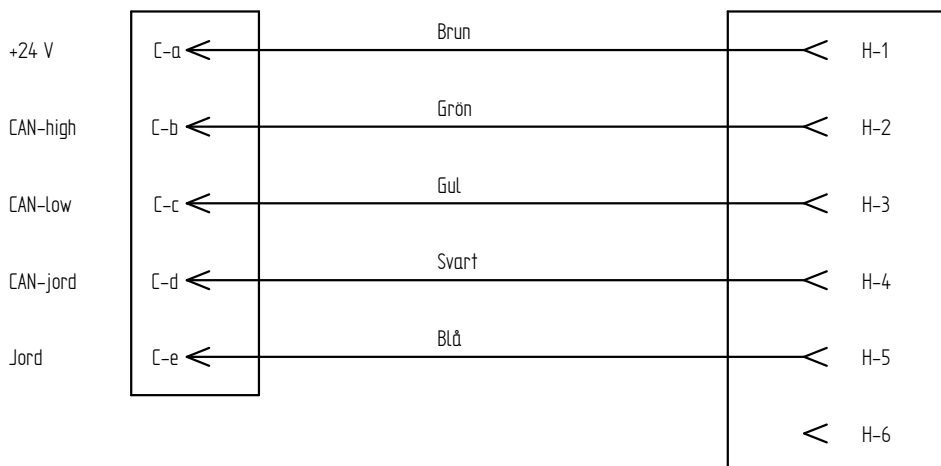
## Spänningsmatningskabel 091109



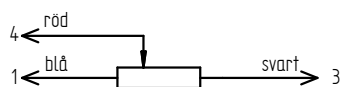
## Displaykabel 016099




## CAN-kabel 091113

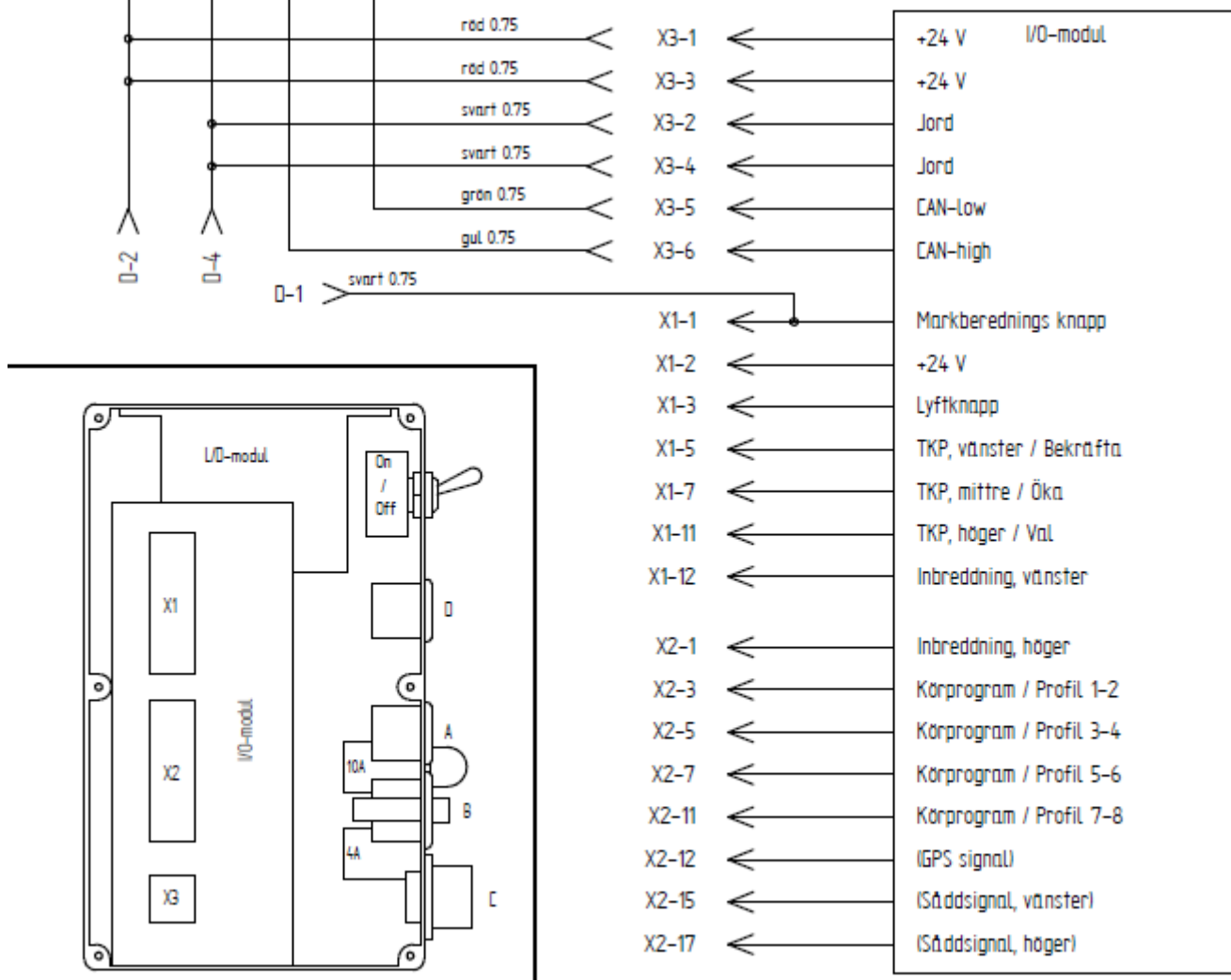
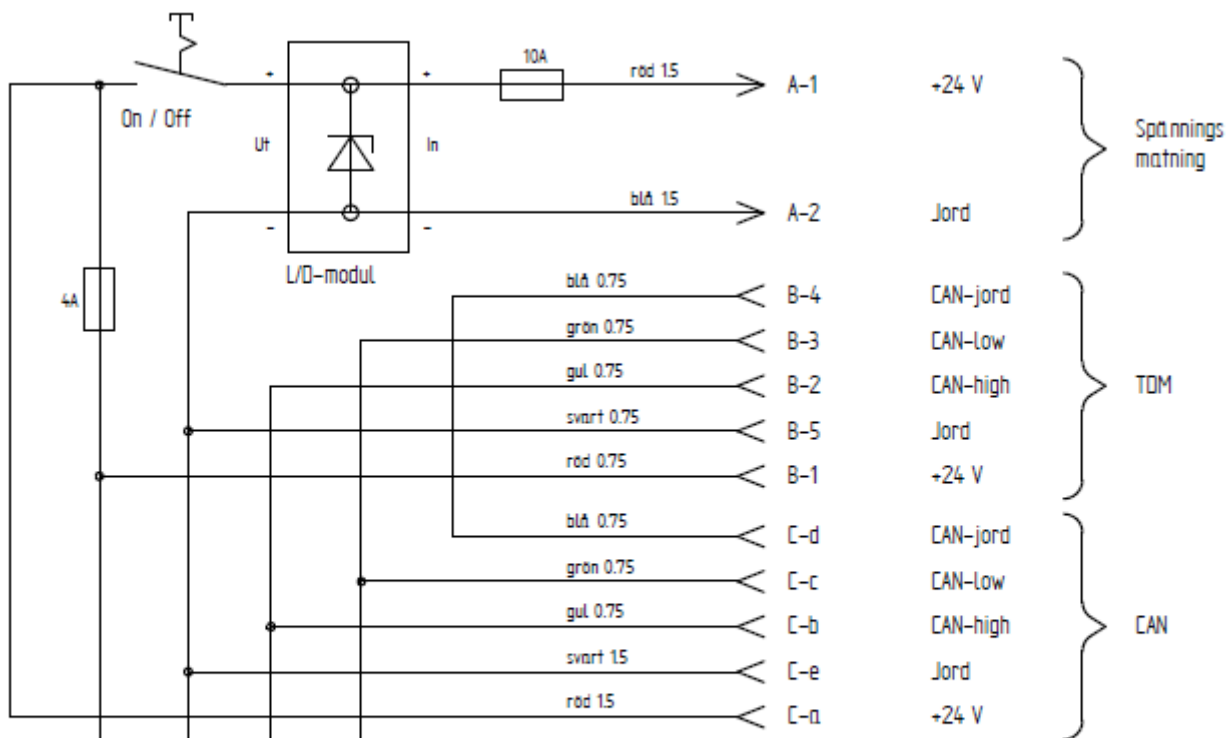


## Elschema cylindergivare

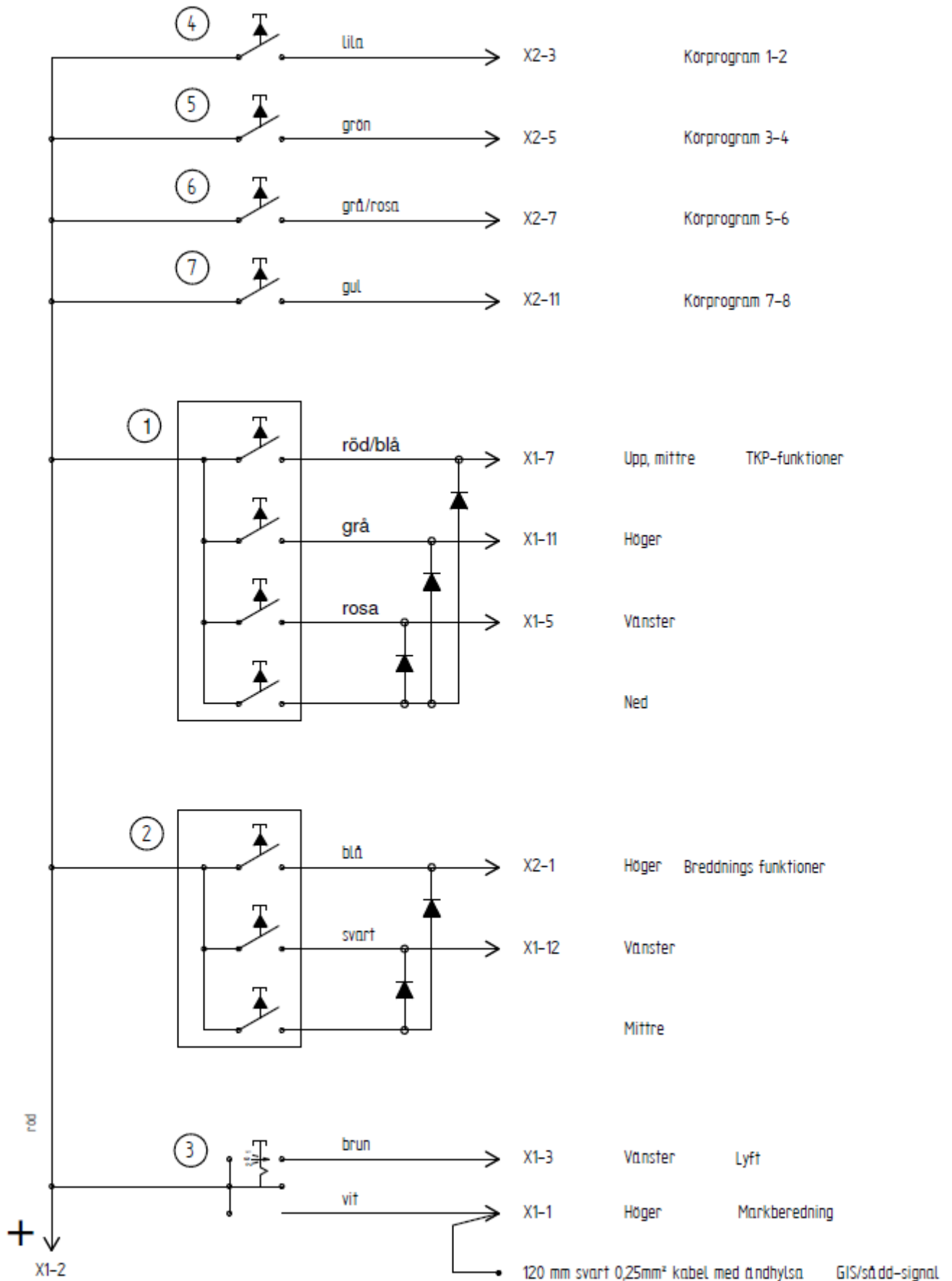


	<h3>T35.b</h3> <p>Elscheman / Electrical schematics</p>	T35b_G12	180910
		Grupp Sida	12 3

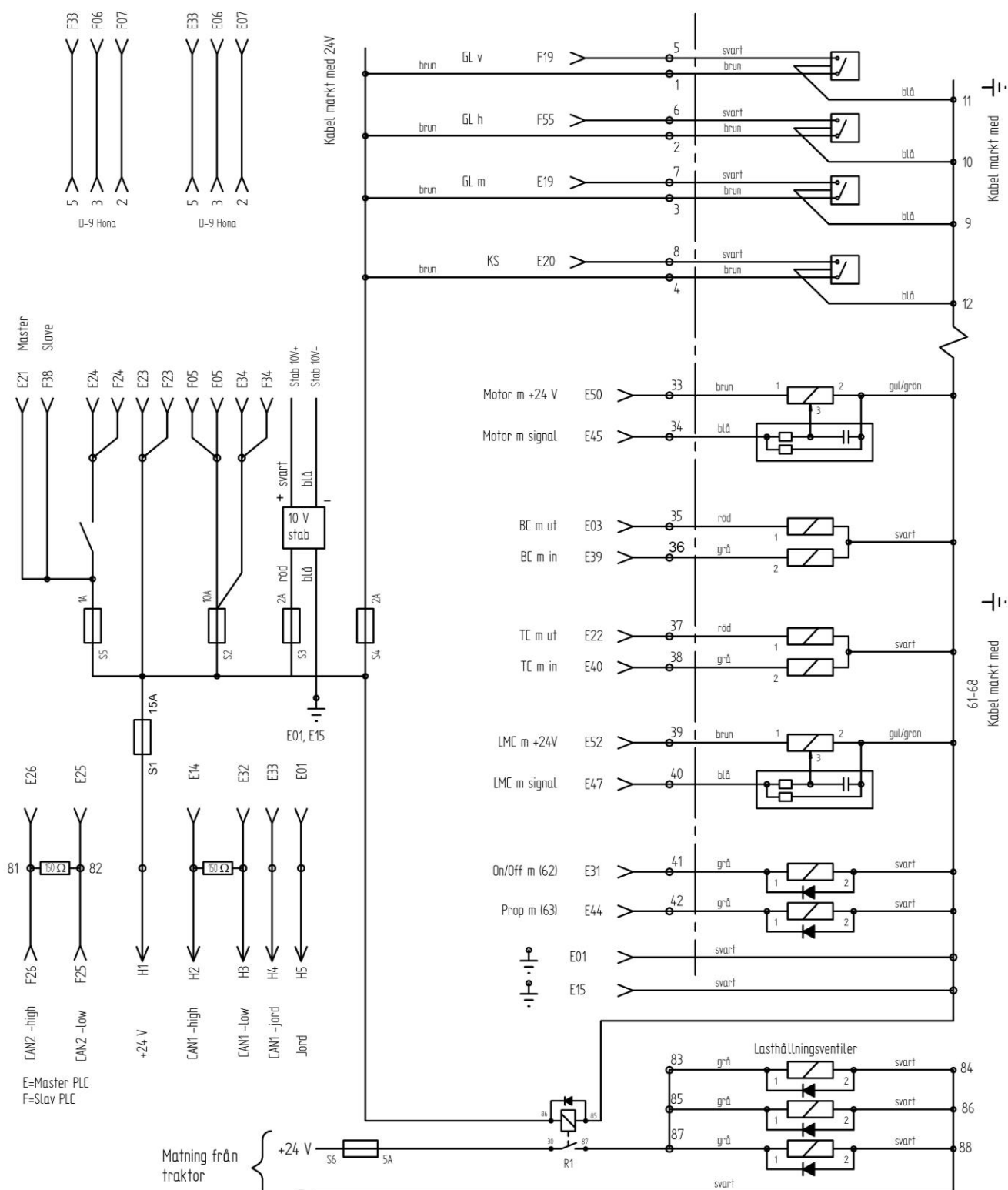
# Cablåda

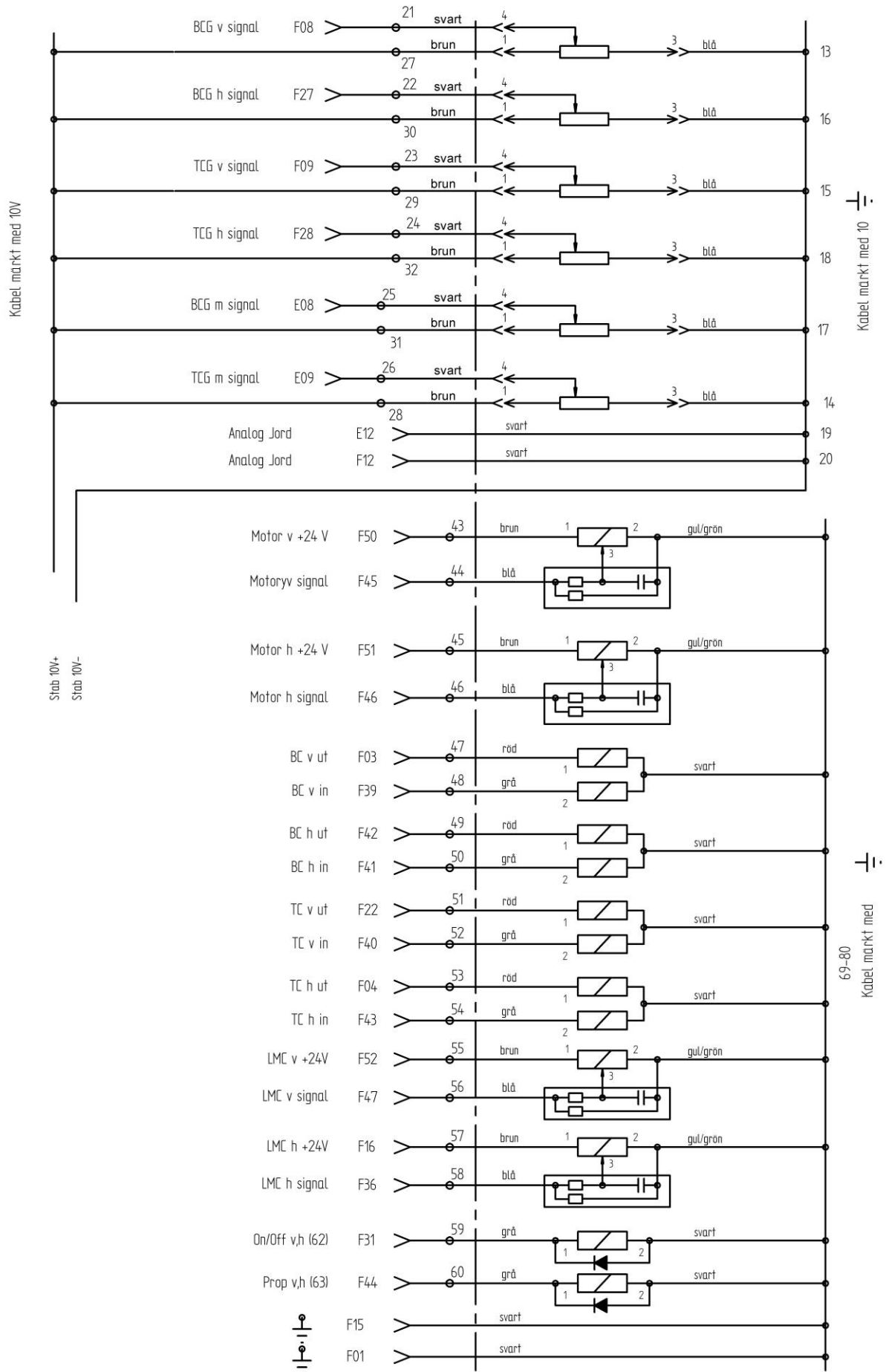


# Manöverspak

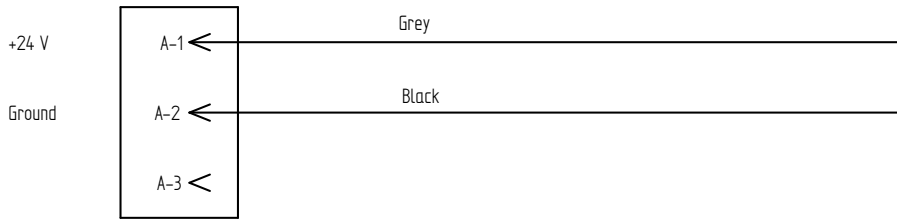


# Maskinlåda

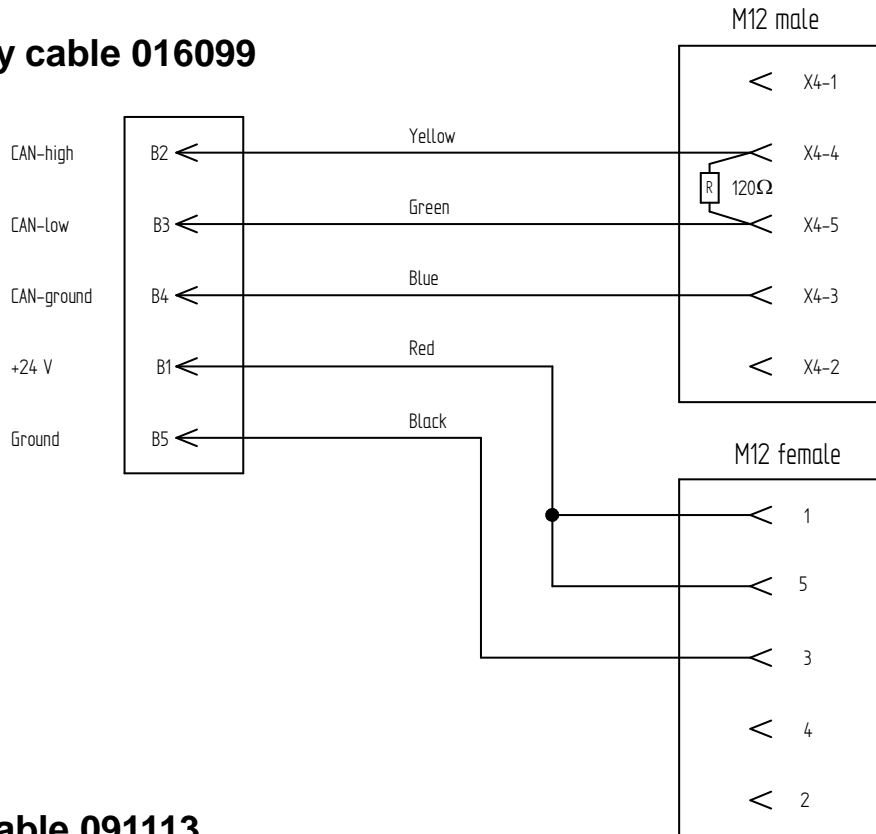




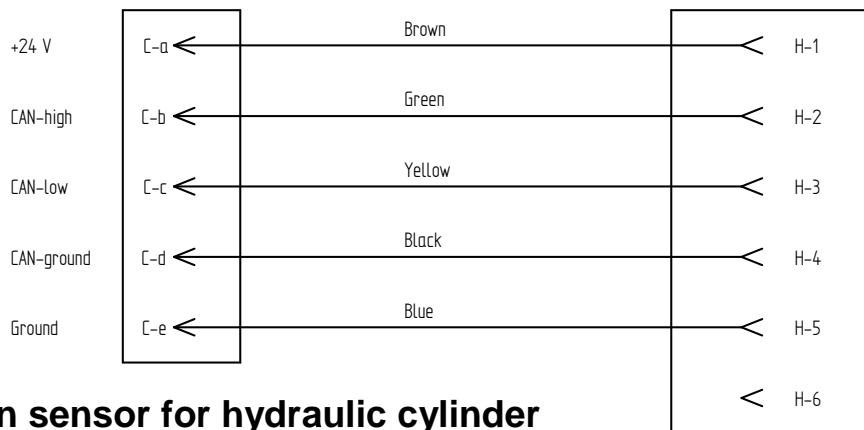
## Power supply cable 091109



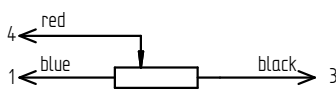
## Display cable 016099




## CAN cable 091113



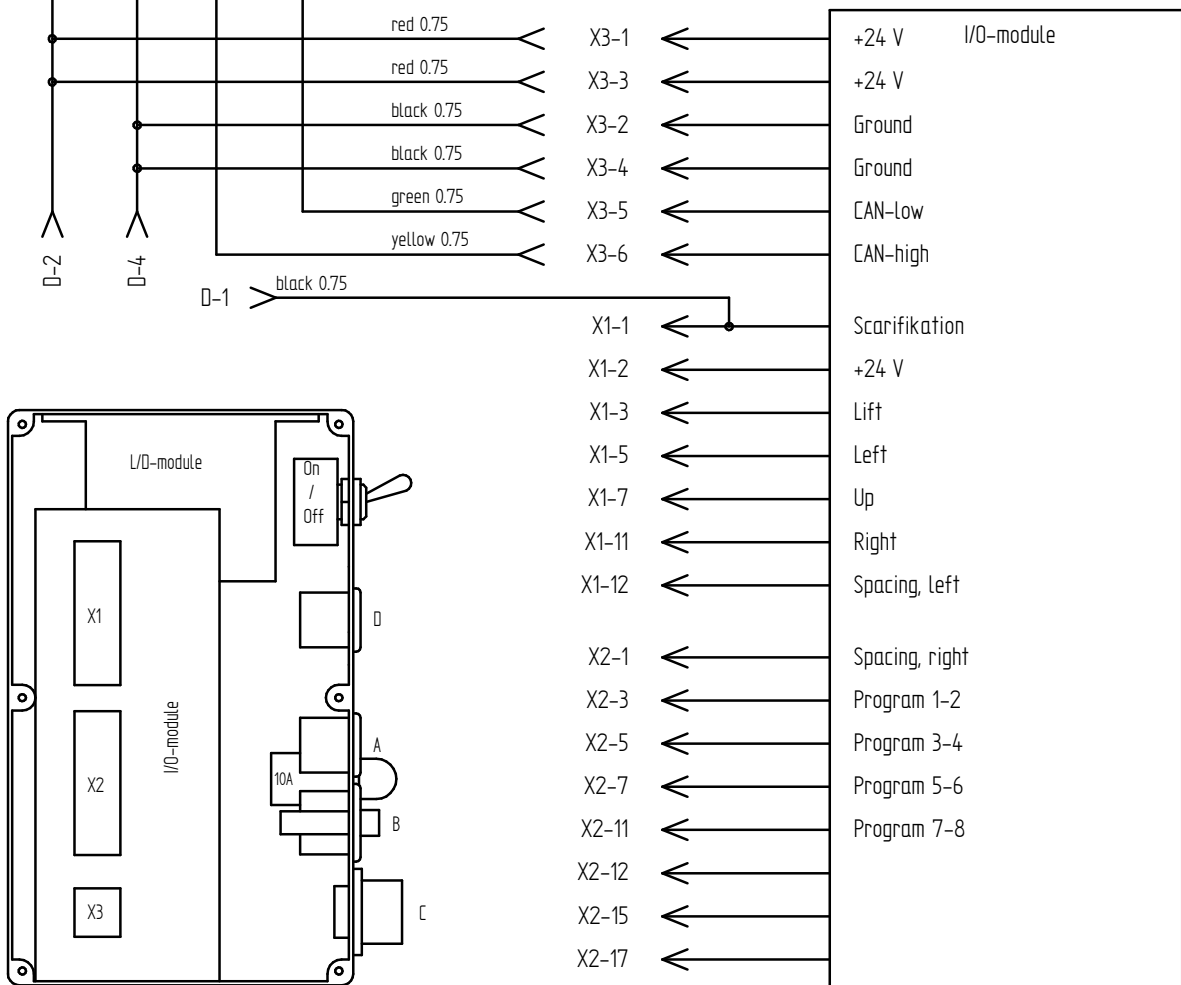
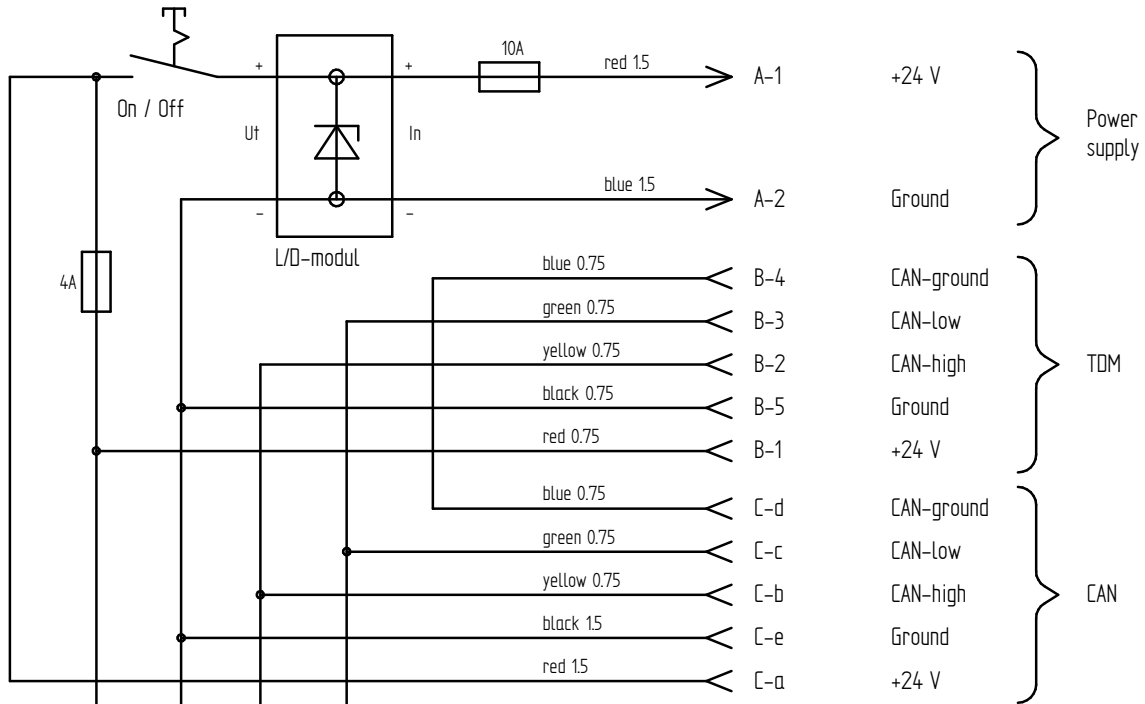
## Position sensor for hydraulic cylinder



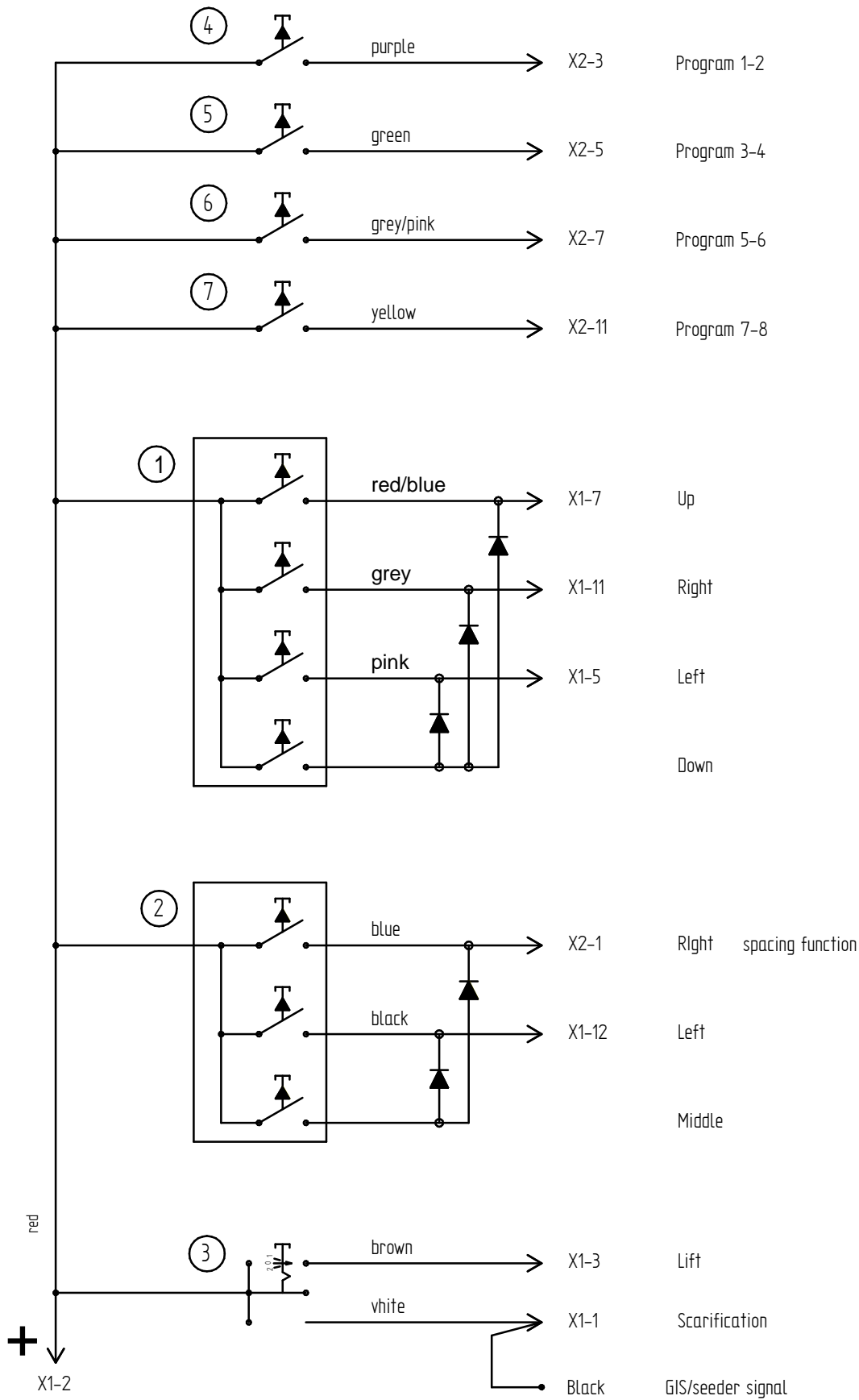
	<h3>T35.b</h3> <p>Elschewan / Electrical schematics</p>	T35b_G12	180910
		Grupp Sida	12 8



# Cab-box

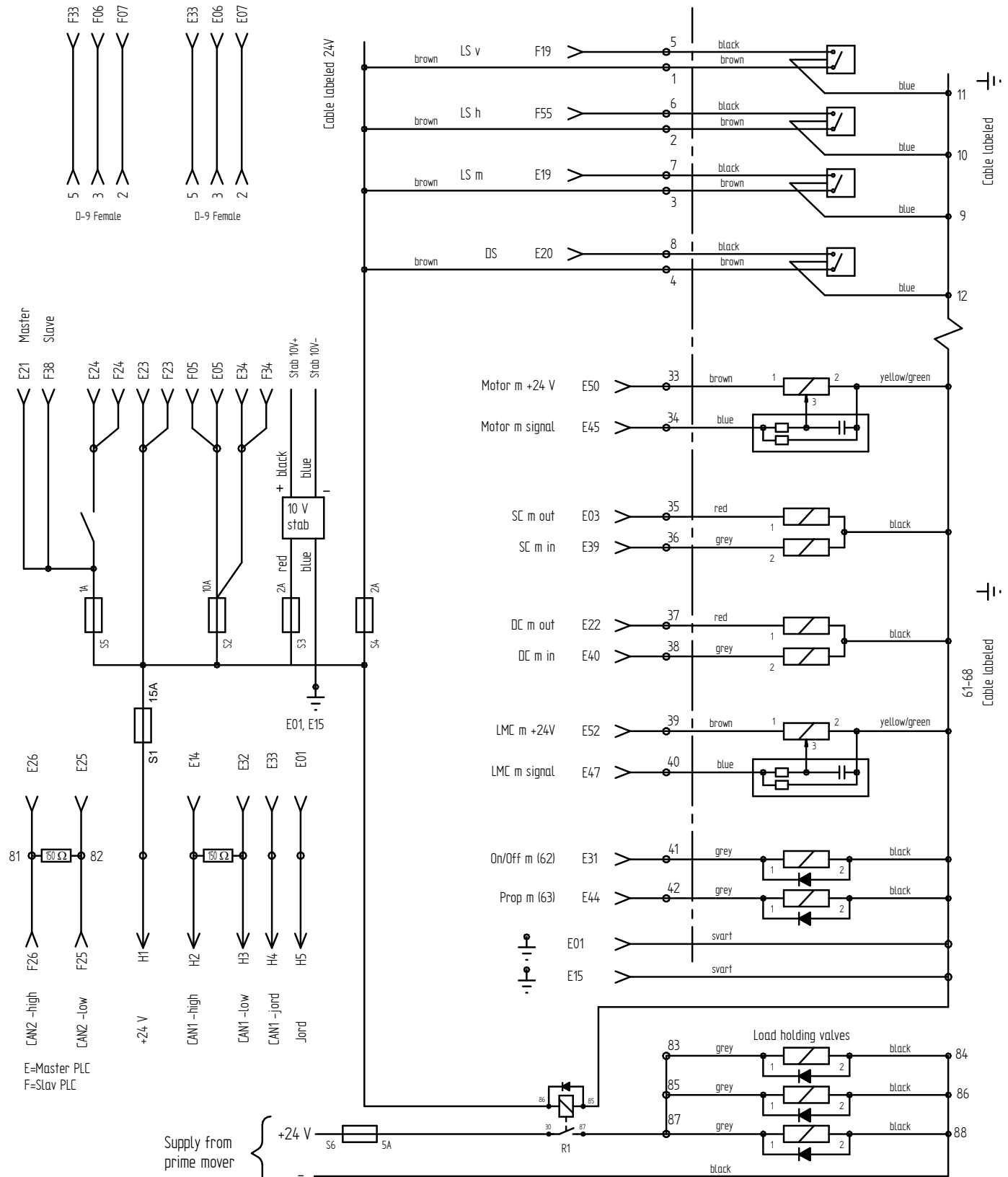


# Operating control



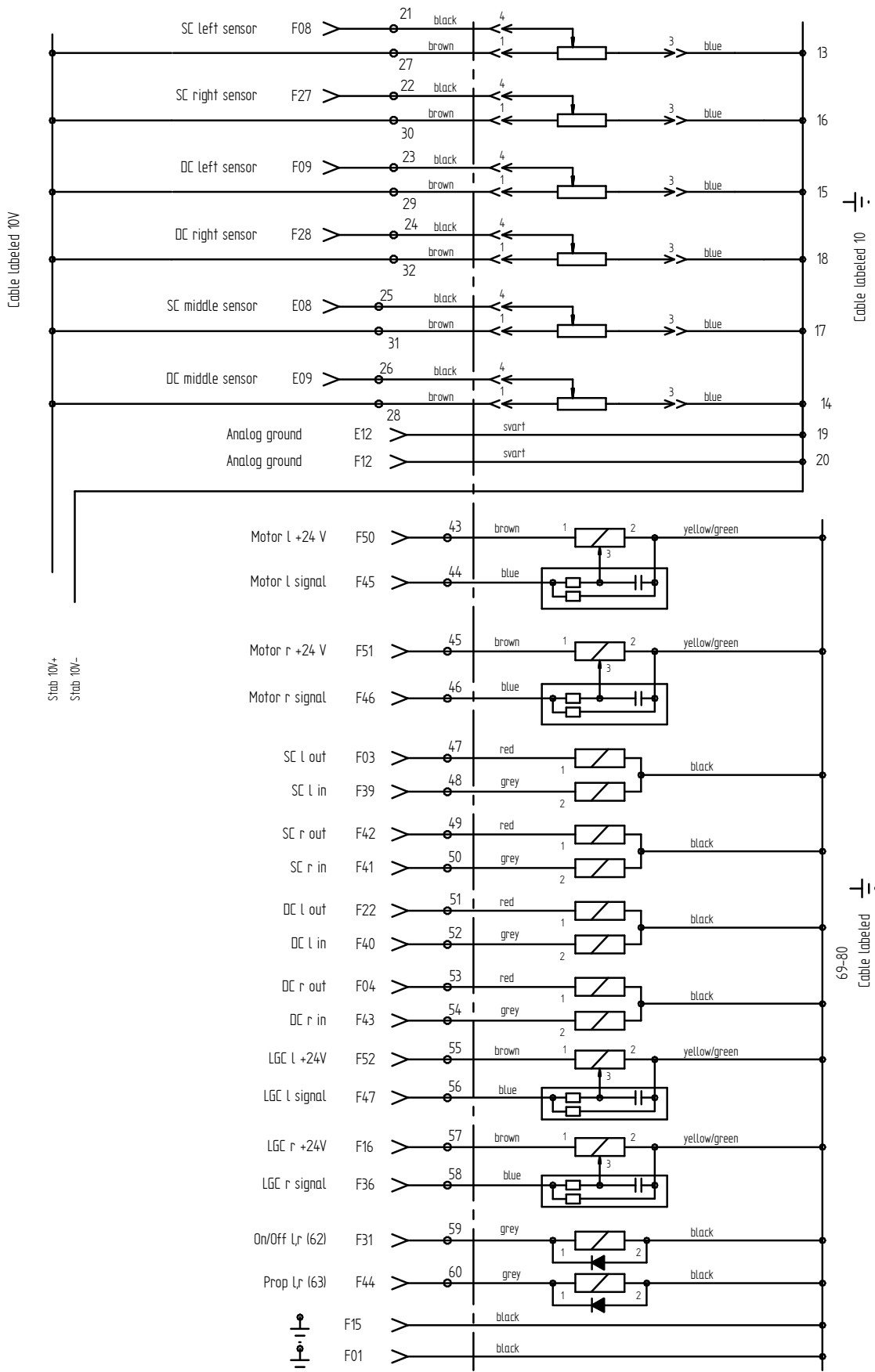
# Machine box

PC connections

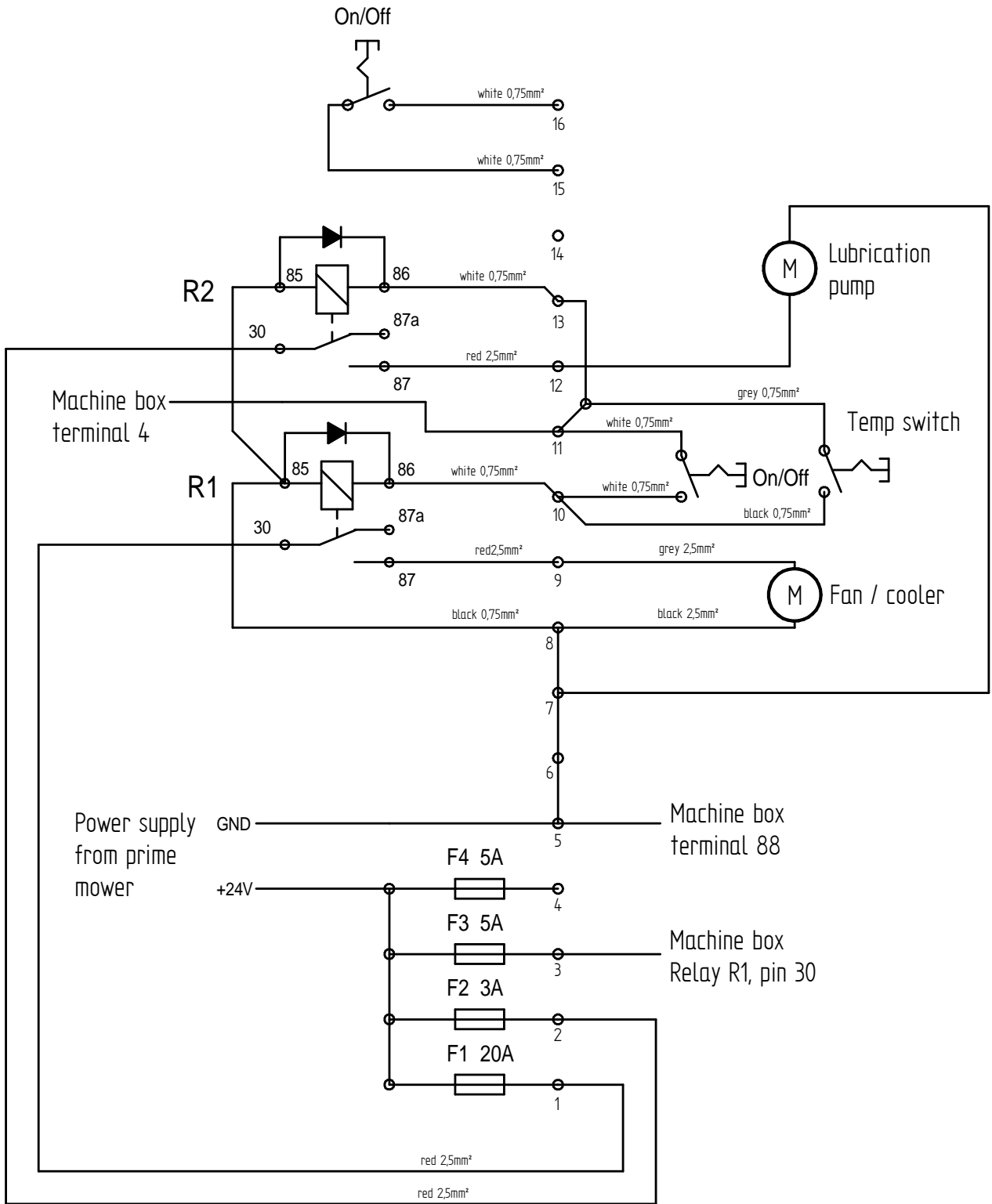


**T35.b**  
 Elscheman / Electrical  
 schematics

T35b_G12	180910
<b>Grupp</b>	<b>12</b>
<b>Sida</b>	<b>11</b>



# Connection box for fan / lubrication pump (Optional)





**T35.b**  
Elscheman / Electrical  
schematics

T35b\_G12

180910

<b>Grupp</b>	<b>12</b>
<b>Sida</b>	<b>14</b>

# Grupp 13 / Section 13

## *RESERVDELAR / SPARE PARTS*


---

### **Innehåll / Contents**

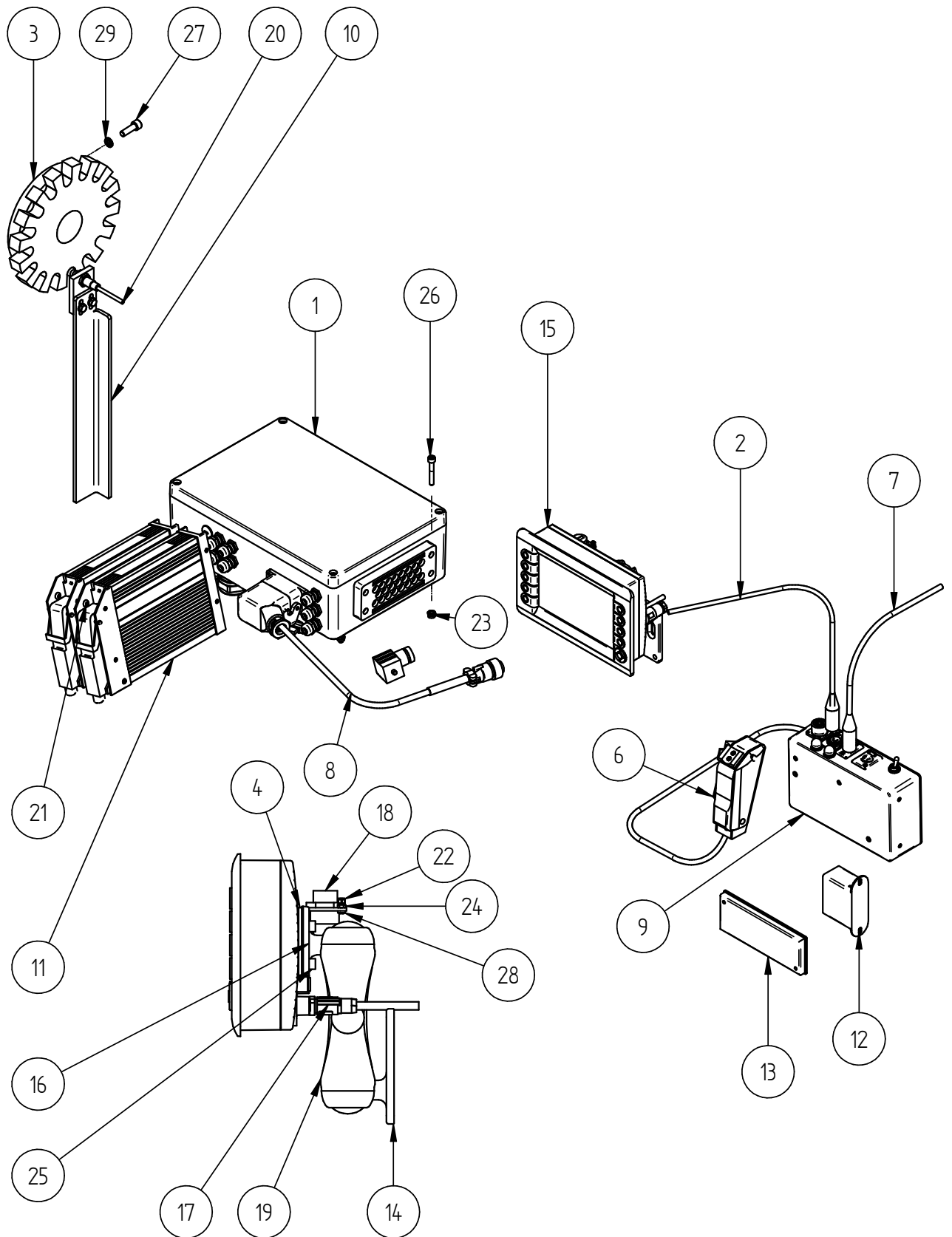
Styrsystem / Control system .....	2
Maskinlåda / Machine box .....	4
Manöverreglage / Operating control .....	5
Hydraulik / Hydraulics .....	6
Ram / Frame .....	8
Huv / Cover .....	10
Balkrör med leder / Joints .....	12
Arm vänster / Arm left .....	14
Arm mitt / Arm middle .....	16
Armm höger / Arm right .....	18
Motorhus vänster/ Motor housing left .....	20
Motorhus höger / Motor housing right .....	22
Planetväxel / Planetary gear .....	24
HIC2 .....	25
Ventilpaket vänster 015710 / Valve assembly, left 015710 .....	26
Ventilpaket höger 015711 / Valve assembly, right 015711 .....	28
Hydraulcylinder / Hydraulic cylinder 0D14259 .....	30
Hydraulcylinder / Hydraulic cylinder 015153 .....	32
Hydraulcylinder / Hydraulic cylinder 015650 .....	34
Hydraulcylinder / Hydraulic cylinder 015752 .....	36
Tallrik / Disc .....	37
Centralsmörjning/Automatic lubrication 016448 .....	38
Slangsats centralsmörjning/Hose kit automatic lubrication 016450 .....	41
Slangsats Arm-Ram/Hose kit arm-frame 015885 .....	43
Slangsats ram/Hose kit frame 015886 .....	45
Slangsats Ytterarmar/Hose kit Outer arms 015883 .....	47
Slangsats Mitt/Hose kit middle arm 015884 .....	49

## Styrssystem / Control system

Pos. Item	Antal Quantity	Artikel.nr. Part number	Benämning	Title
1	1	015452	Maskinlåda T35.b	Machine box
2	1	016099	Displaykabel PDM360	Display cable
3	1	016444	Pulshjul	Gear wheel
4	1	016577	Fäste	Bracket
5	1	016655	Dekal elschema T35	Decal
6	1	090912H	Manöverreglage	Operating control
7	1	091109	Spänningsmatningskabel	Power supply cable
8	1	091113	CANKabel R360	CAN cable
9	1	091732	CAB-låda	Cab box
10	1	0D14857	Hållare för pulssensor	Pulse sensor mount kit
11	2	800525	PLC CR0020	PLC, CR0020
12	1	800528	L/D modul, EC2016	L/D-module EC2016
13	1	800530	I/O-modul	I/O-module, CR2012
14	1	801049	RAM 3 5/8" SQ. VESA 75	Ball
15	1	801127	Display CR1082	Display CR1082
16	1	801128	Fästkula EC1410	Ball
17	1	801129	Ethernetkabel M12-kontakt 2m	Ethernet cable
18	1	801130	Kabel USB-M12	Cable USB-M12
19	1	801134	RAM ball socket arm	RAM ball socket arm
20	1	D202611	Sensor M12	Sensor M12
21	8	K6SM5x12	Skruv	Screw
22	1	LKM3	Låsmutter	Lock nut
23	4	LKM6	Låsmutter	Lock nut
24	1	M6M3	Mutter	Nut
25	4	MC6SM5x16	Skruv	Screw
26	4	MC6SM6x40	Skruv	Screw
27	2	MC6SM8x25B	Skruv	Screw
28	1	MRXM3x10	Skruv	Screw
29	2	NLM8	Nord-Lock bricka, M8	Washer

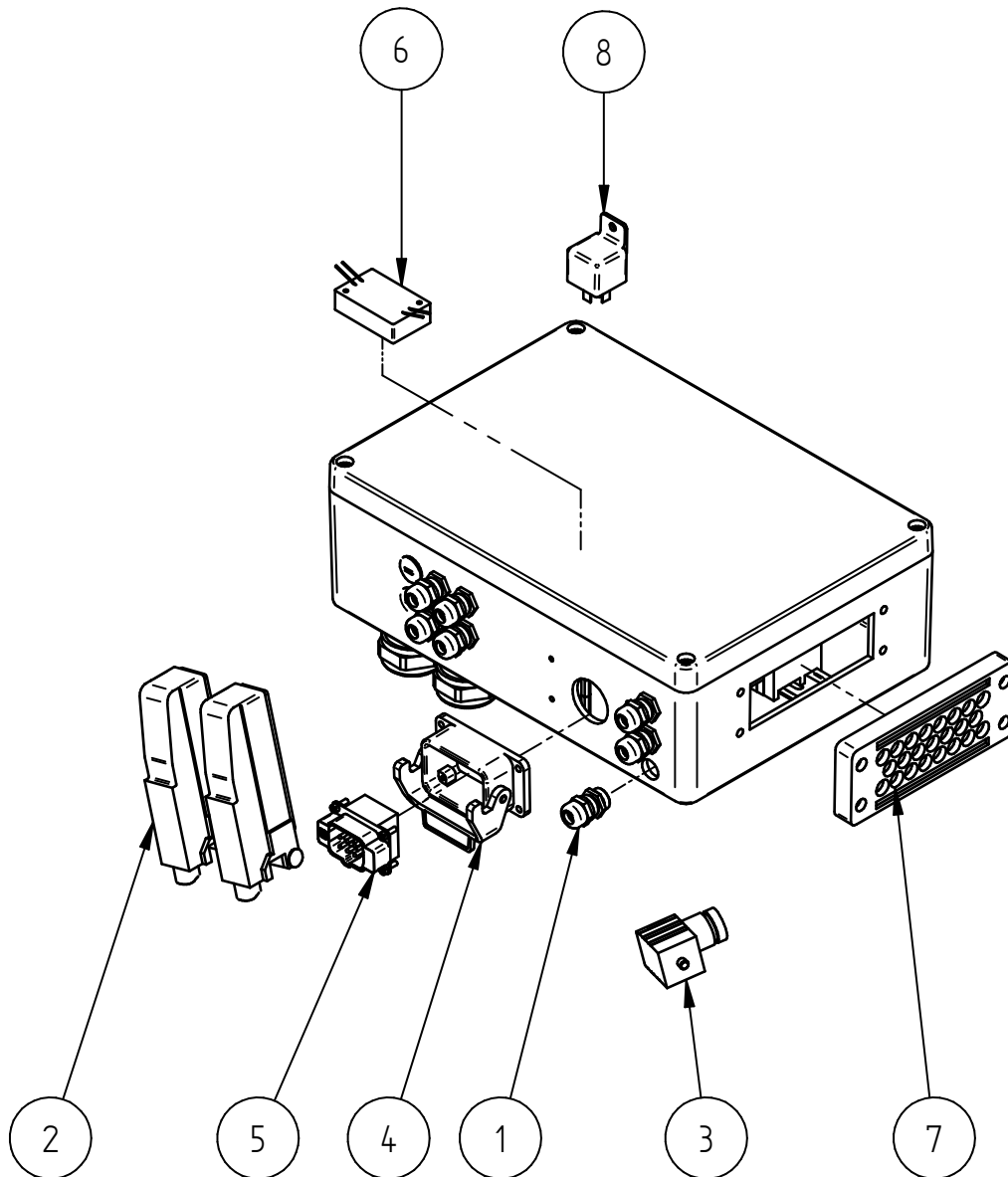
	<h1>T35.b</h1> <h2>Reservdelar / Spare parts</h2>	T35b_G13	190220
		<b>Grupp</b> <b>Sida</b>	<b>13</b> <b>2</b>






	<h1>T35.b</h1> <p>Reservdelar / Spare parts</p>		T35b_G13	190220
	Grupp	13	Sida	3

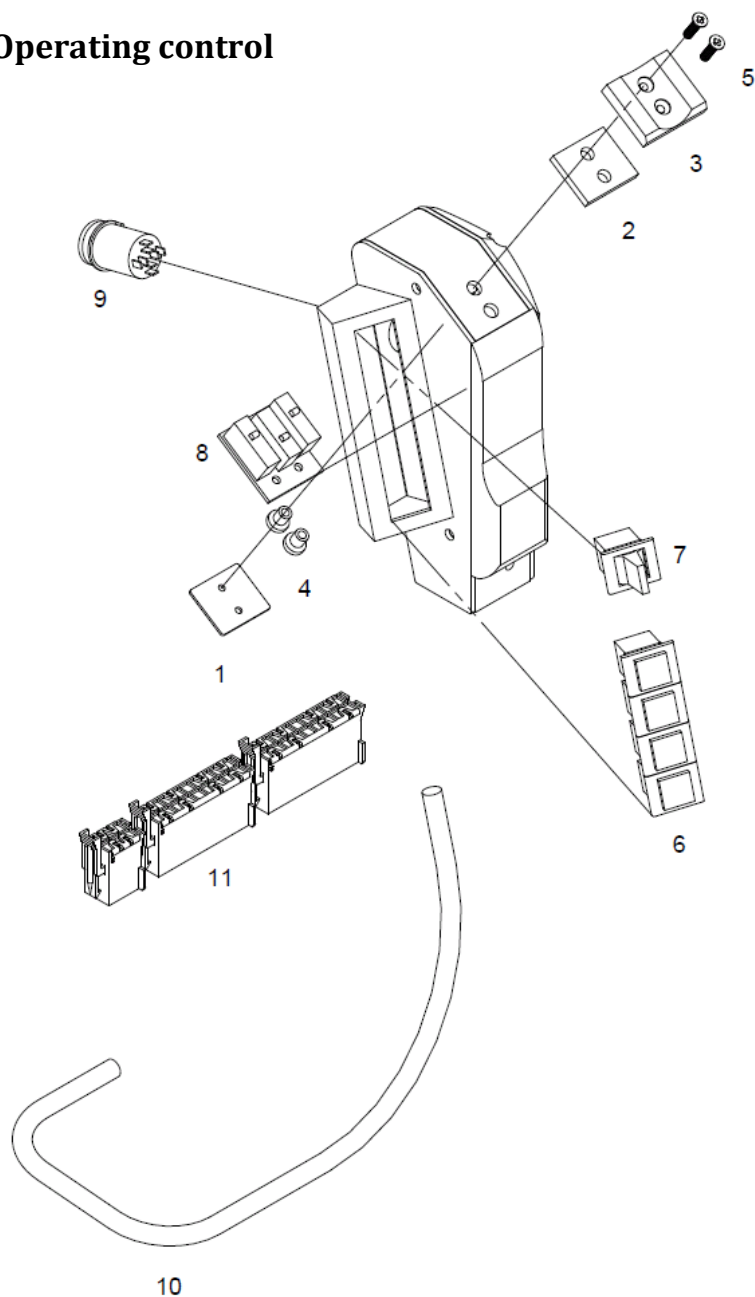
## Maskinlåda / Machine box




Pos. Item	Antal Quantity	Artikel.nr. Part number	Benämning	Title
1	7	800147	Kabelförskruvning pg9	Cable gland Pg9
2	2	800532	Anslutningskabel EC2052 pur	Cable EC2052 pur
3	6	800542	PWM plugg	PWM plug
4	1	800548	Chassikåpa	Cover
5	1	800549	Kontaktdon hane	Connector, male
6	1	800529	Spänningsstabilisator	Voltage regulator
7	1	801436	Kabelgenomföring	Cable gland
8	1	D200929	Relä	Relay

	<h3>T35.b</h3> <p>Reservdelar / Spare parts</p>	T35b_G13	190220
		<p><b>Grupp</b></p> <p><b>Sida</b></p>	<p><b>13</b></p> <p><b>4</b></p>

## Manöverreglage / Operating control



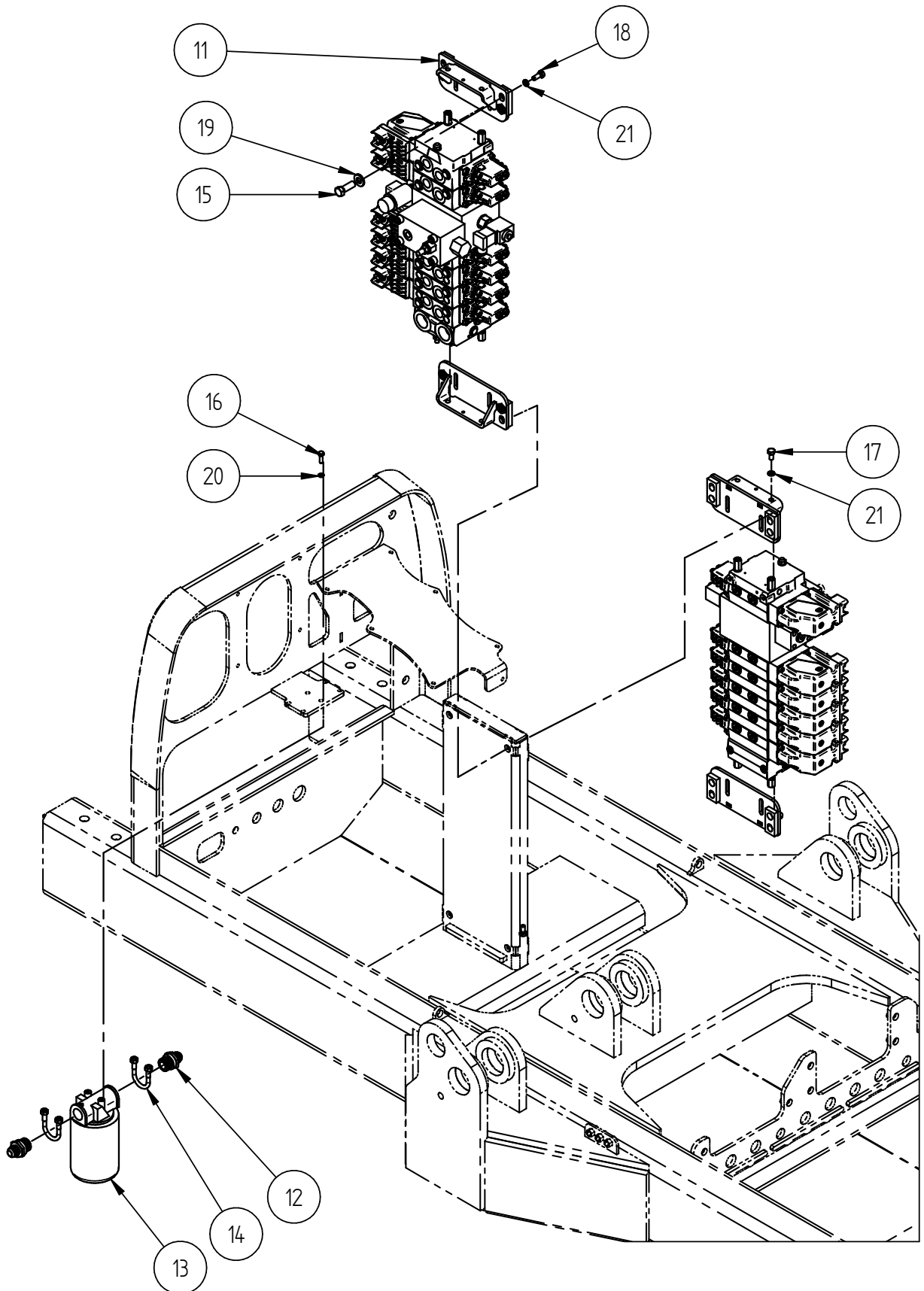
Pos. Item	Antal Quantity	Artikel.nr. Part number	Benämning	Title
1	1	800719	Tryckplatta	Plate
2	1	800723	Fjäderskum	Foam
3	1	800721	Tumgrepp	Thumb grip
4	2	800720	Distans	Spacer
5	2	800722	Skruv	Screw
6	4	800550	Strömbrytare	Switch
7	1	800551	Vippströmbrytare	Switch
8	1	800553	Kretskort	Pcb
9	1	800552	Strömbrytare 4-vägs	Switch 4 way
10	6m	800653	Kabel PUR 12x0,25	Cable
11	1	800533	Kontaktsats	Connector kit

	<h3>T35.b</h3> <p>Reservdelar / Spare parts</p>	T35b_G13	190220
		<p><b>Grupp</b> 13</p> <p><b>Sida</b> 5</p>	

## Hydraulik / Hydraulics

Pos. Item	Antal Quantity	Artikel.nr. Part number	Benämning	Title
1	1	015710	Ventilpaket	Bracket
2	1	015711	Ventilpaket	Bracket
3	3	015880	Adaptersats arm T35.b	Adapter
4	1	015881	Adaptersats ram T35.b	Adapter
5	1	015882	Adaptersats ventiler T35.b	Adapter
6	2	015883	Slangsats ytterarm T35b	Hose kit, arm
7	1	015884	Slangsats mittarm T35b	Hose kit, arm
8	1	015885	Slangsats armskarv T35b	Kose kit, arm joint
9	1	015886	Slangsats ram T35b	Hose kit, frame
10	1	015892	Slangskydd smst T35b	Cover
11	4	015893	Ventilfäste	Bracket
12	2	0D14758	Adapter bearb.	Adapter
13	1	600096	Dräneringsfilter, MP kompl.	Drain filter
13.1	1	600097	Filterelement MP dränering	Filter element
14	2	800742	Rörklammer 32mm	Clamp
15	8	M6SM12x35	Skruv	Screw
16	2	M6SM6x20	Skruv	Screw
17	8	M6SM8x16	Skruv	Screw
18	8	M6SM8x20	Skruv	Screw
19	8	NLM12SYD	Bricka	Washer
20	2	NLM6	Bricka	Washer
21	16	NLM8	Bricka	Washer

	<h3>T35.b</h3> <p>Reservdelar / Spare parts</p>	T35b_G13	190220
		<p><b>Grupp</b></p> <p><b>Sida</b></p>	<p><b>13</b></p> <p><b>6</b></p>




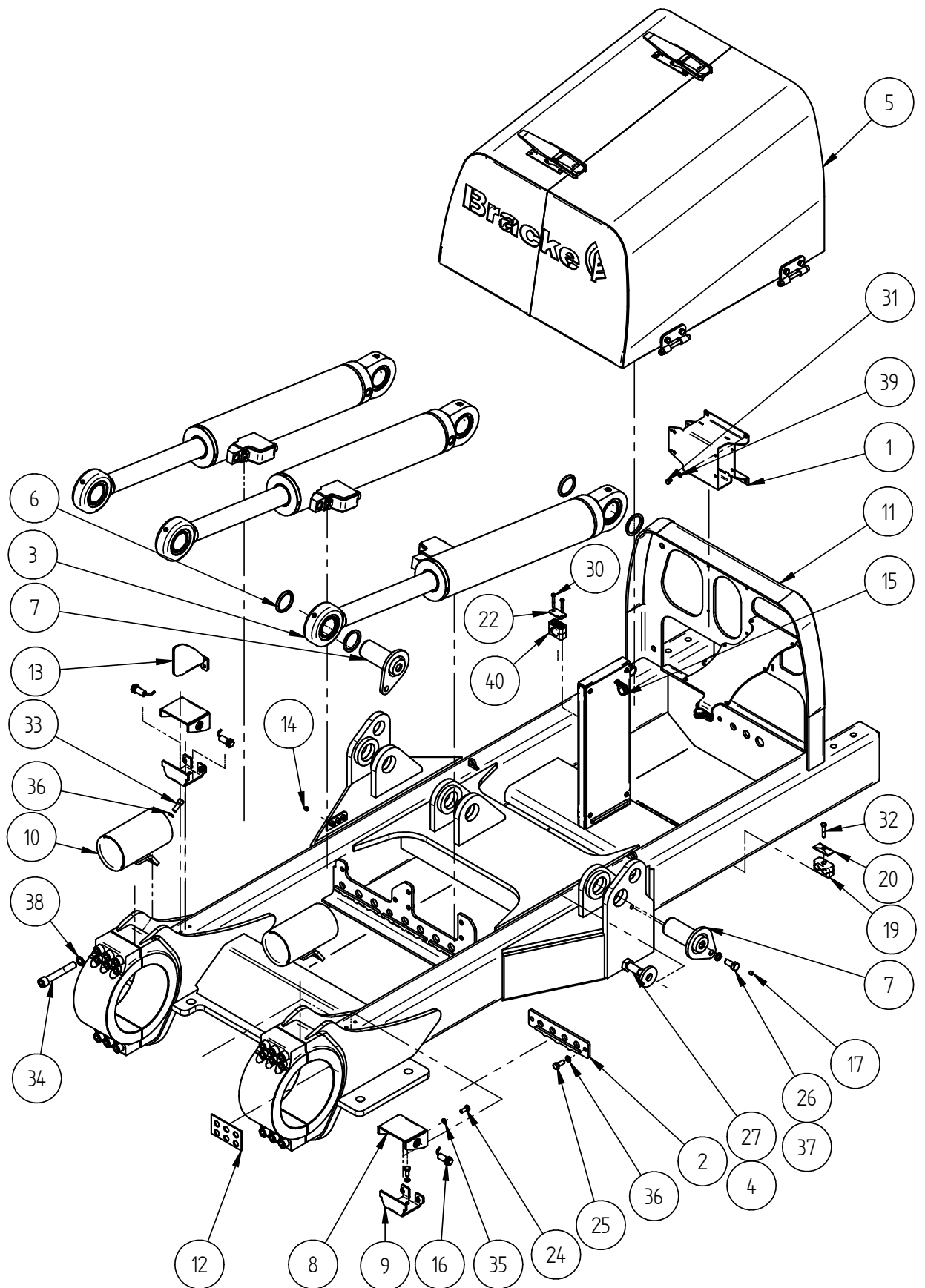
**T35.b**  
Reservdelar / Spare parts

T35b_G13	190220
Grupp	13
Sida	7

## Ram / Frame

Pos. Item	Antal Quantity	Artikel.nr. Part number	Benämning	Title
1	1	015688	Plcfäste	Bracket
2	3	015715	Slanghållare	Guide plate
3	3	015752	Cylinder Ø125/63x530	Hydraulic cylinder
4	6	015827	Bricka	Washer
5	1	015844	Huv	Cover
6	12	015956	Distans	Spacer
7	6	015957	Axel	Axle
8	2	015980	Givarfäste	Sensor bracket
9	2	015982	Fäste	Attachment
10	2	015984	Slangstyrning	Hose guide
11	1	016001	Ram	Frame
12	4	016032	Shims	Shim
13	1	016061	Skyddsplåt	Guide plate
14	3	800007	Smörjnippel KR 1/8 rak	Grease nipple KR 1/8
15	3	800292	Gummiklammer 25mm	B-clip 25mm
16	3	800388	Sensor	Sensor
17	6	800748	Insexplugg R1/8	Plug R1/8
18	1	800809-650	Skyddshölje TEXS27	Protective sleeve
19	5	800949	Klammerpar	Clamp
20	5	800952	Täckplatta	Cover
21	3	BRB06,4	Bricka	Washer
22	1	DP4	Täckplatta	Cover
23	1	LKM6	Låsmutter	Lock nut
24	8	M6SM10x25	Skruv	Screw
25	6	M6SM12x30	Skruv	Screw
26	6	M6SM16x35	Sexkantskruv 8.8 Fzb	Screw 8.8
27	6	M6SM24x50	Sexkantskruv 8.8 Fzb	Screw 8.8
28	2	M6SM6x12	Skruv	Screw
29	1	M6SM6x16	Skruv	Screw
30	2	M6SM6x45	Skruv	Screw
31	4	M6SM8x12	Skruv	Screw
32	5	M6SM8x45	Skruv	Screw
33	4	MC6SM12X30B	Insexskruv	Screw
34	24	MC6SM20x130B	Skruv	Screw
35	8	NLM10	Bricka	Washer
36	10	NLM12	Bricka	Washer
37	6	NLM16	Bricka	Washer
38	24	NLM20	Bricka	Washer
39	4	NLM8	Bricka	Washer
40	1	SLK430	Klammerpar	Clamp

	<h1>T35.b</h1> <h2>Reservdelar / Spare parts</h2>	T35b_G13	190220
		<b>Grupp</b> <b>Sida</b>	<b>13</b> <b>8</b>



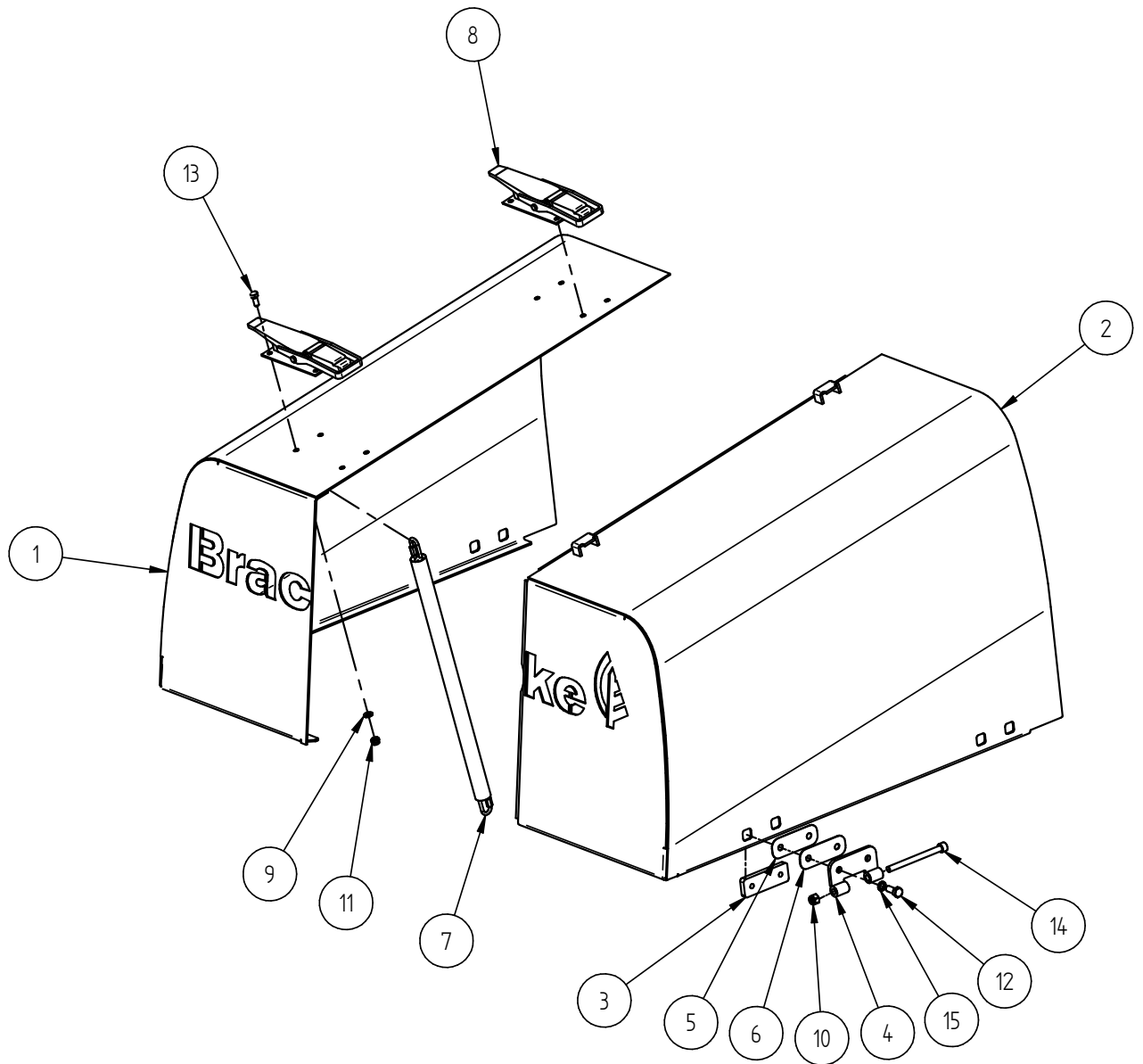
	<h2 style="text-align: center;">T35.b</h2> <p style="text-align: center;">Reservdelar / Spare parts</p>	T35b_G13	190220
		<p><b>Grupp</b>      <b>13</b></p> <p><b>Sida</b>        <b>9</b></p>	


## Huv / Cover

Pos. Item	Antal Quantity	Artikel.nr. Part number	Benämning	Title
1	1	015845	Huvhalva vänster	Cover
2	1	015846	Huvhalva höger	Cover
3	4	016387	Mutterlist	Nut list
4	4	016388	Gångjärnshalva	Hinge
5	4	016392	Shims 0,7mm	Shim
6	4	016393	Shims 1,5mm	Shim
7	2	016536	Huvkedja	Chain
8	2	800045	Flaklås	Latch
9	8	BRB08,4	Bricka	Washer
10	4	LKM10	Loc-king mutter M10 hög	Lock nut
11	8	LKM8	Låsmutter	Lock nut
12	8	M6SM10x25	Skruv	Screw
13	8	M6SM8x20	Skruv	Screw
14	4	MC6SM10x120B	Insexskruv 12.9	Screw 12.9
15	8	NLM10	Bricka	Washer

	<b>T35.b</b> Reservdelar / Spare parts	T35b_G13	190220
		<b>Grupp</b>	<b>13</b>
		<b>Sida</b>	<b>10</b>




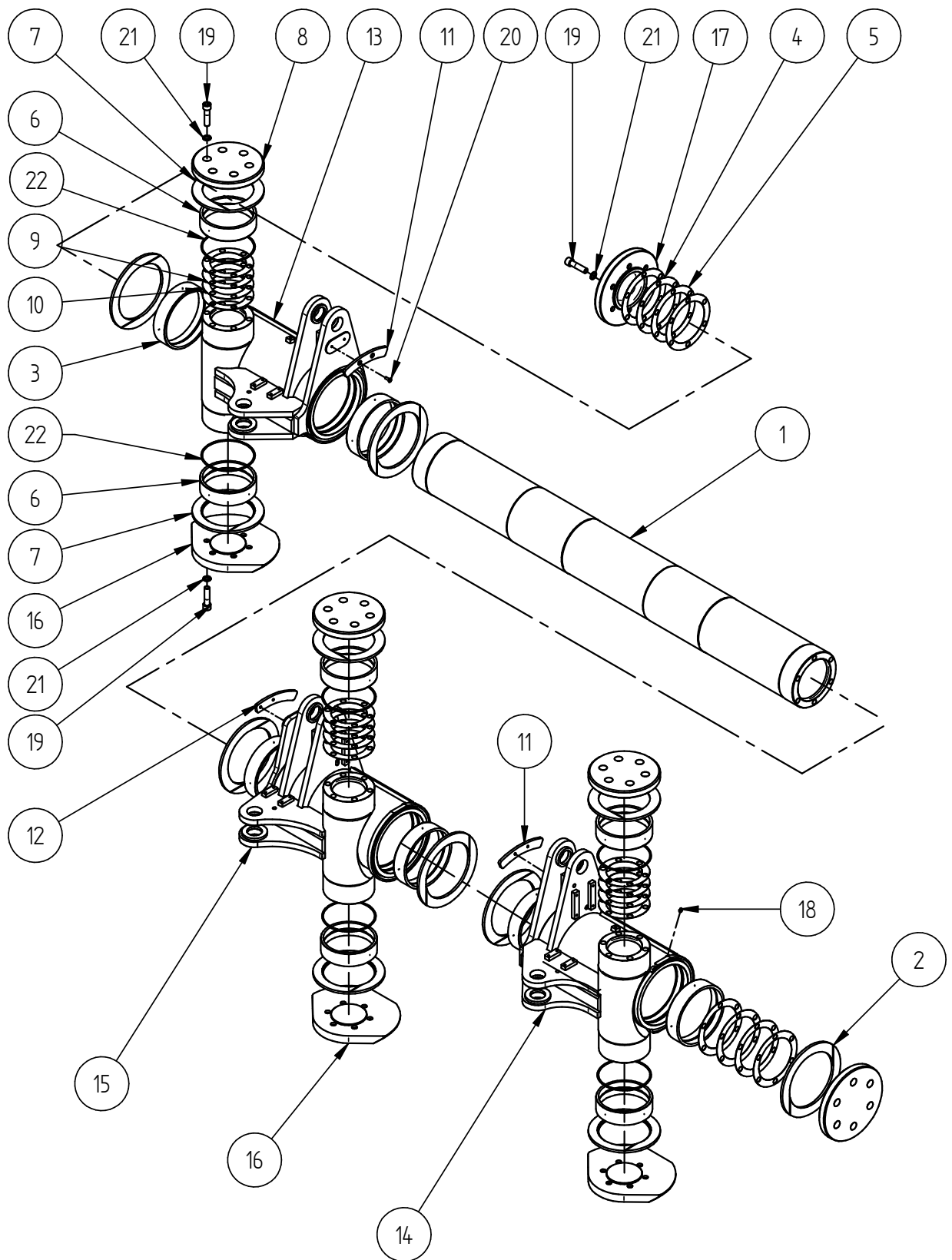


	<h2 style="text-align: center;">T35.b</h2> <p style="text-align: center;">Reservdelar / Spare parts</p>	T35b_G13	190220
		Grupp	13
		Sida	11

## Balkrör med leder / Joints

Pos. Item	Antal Quantity	Artikel.nr. Part number	Benämning	Title
1	1	015618	Balkrör	Axle
2	6	015620	Axiallager	Bearing
3	6	015621	Glidlager	Bearing
4	4	015622	Shims 0,5mm	Shim
5	4	015623	Shims 1mm	Shim
6	6	015693	Glidlager	Bearing
7	6	015694	Axiallager	Bearing
8	3	015695	Lock	Cover
9	6	015696	Shims 0,5mm	Shim
10	6	015697	Shims 1mm	Shim
11	2	015987	Flagga	Sensor target
12	1	015988	Flagga	Sensor target
13	1	016201	Led T35b vänster	Joint left
14	1	016202	Led T35b höger	Joint right
15	1	016203	Led T35b mitt	Joint middle
16	3	016257	Lock	Cover
17	2	091527	Lock	Cover
18	12	800007	Smörjnippel KR 1/8 rak	Grease nipple KR 1/8
19	48	MC6SM20x80B	Skruv	Screw
20	6	MF6SM8x25A	Skruv	Screw
21	48	NLM20	Nord-Lock bricka, M20	Washer
22	6	R195X5	O-ring	O-ring

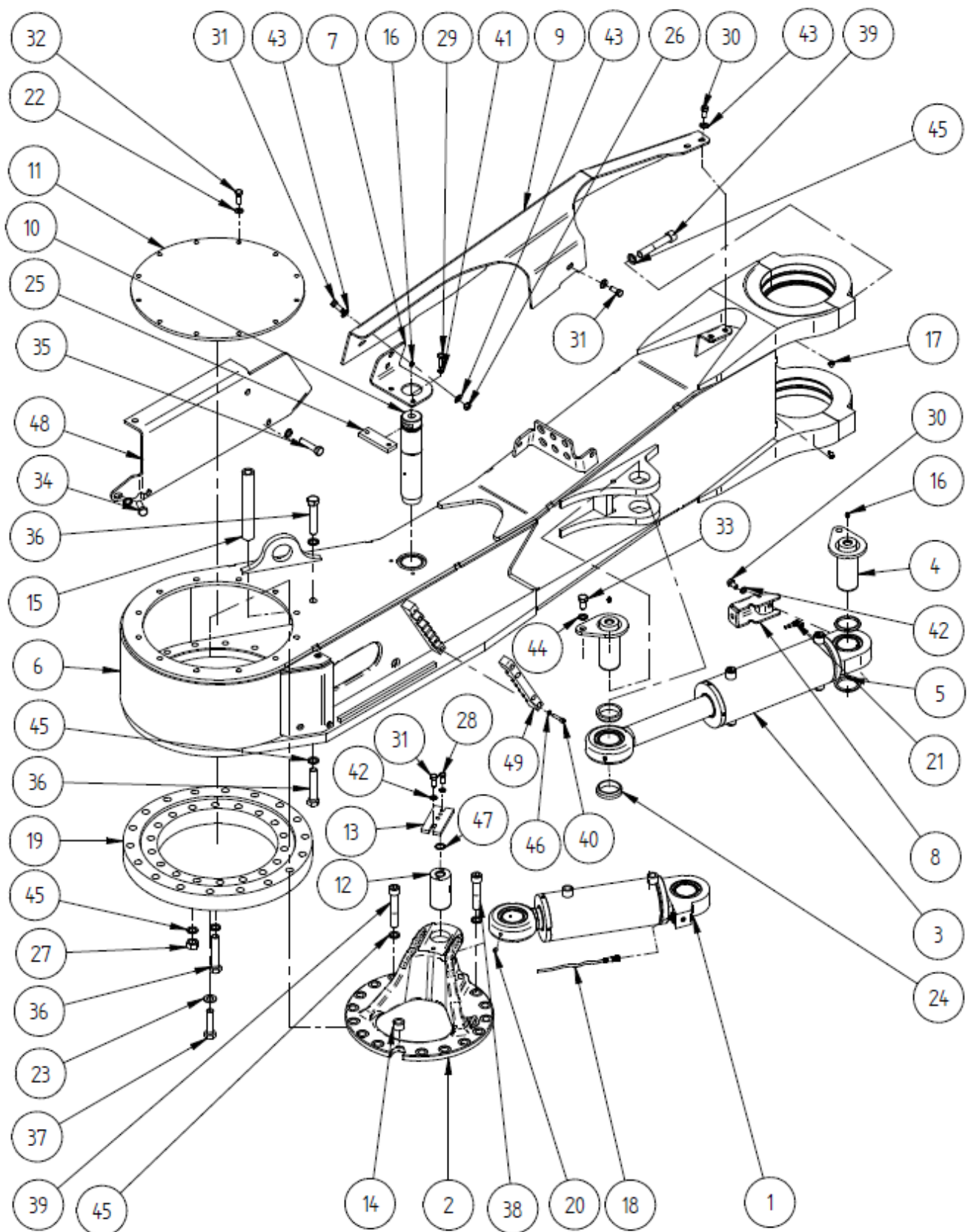
	<h3>T35.b</h3> <p>Reservdelar / Spare parts</p>	T35b_G13	190220
		<b>Grupp</b> <b>Sida</b>	<b>13</b> <b>12</b>



## Arm vänster / Arm left

Pos. Item	Antal Quantity	Artikel.nr. Part number	Benämning	Title
1	1	015153	Hydraulcylinder	Hydraulic cylinder
2	1	015503	Cylinderfäste TC -	Cylinder bracket
3	1	015650	Hydraulcylinder	Hydraulic cylinder
4	2	015824	Axel	Axle
5	2	016487	Distans	Spacer
6	1	015989	Arm vänster	Arm left
7	1	016006	Fäste	Attachment
8	1	016214	Skyddskåpa	Housing
9	1	016252	Slangskydd vänster	Cover
10	1	0D14493	Axeltapp TC+	Axle
10.1	1	R54,5x3	O-ring	O-ring
11	1	0D14502	Lock	Cover
12	1	0D14510	Tapp TC-	Axle
13	1	0D14564	Låsplatta	Shaft locking
14	1	0D14573	Distans	Spacer
15	1	0D14657	Distans	Spacer
16	3	800007	Smörjnippel KR 1/8 rak	Grease nipple KR 1/8
17	2	800013	Smörjnippel 90°	Grease nipple 90°
18	1	800474	Kabel sidocyl	Cable
19	1	800604	Svängkranslager	Slew ring
20	2	800748	Insexplugg R1/8	Plug R1/8
21	1	800983	Givarkabel M12 vinklad 5m	Cable M12
22	12	BRB13	Bricka	Washer
23	18	BRB20	Bricka	Washer
24	2	D200012	Distans sidocylinder	Spacer
25	1	D200016	Låsbleck	Shaft locking
26	2	M6M12	Sexkantsmutter M12 Fzb	Lock nut
27	1	M6M20	Mutter	Nut
28	2	M6SM10x25	Skruv	Screw
29	2	M6SM10x35	Skruv	Screw
30	3	M6SM12x25	Skruv	Screw
31	5	M6SM12x30	Skruv	Screw
32	12	M6SM12x35	Skruv	Screw
33	2	M6SM16x30	Skruv	Screw
34	2	M6SM16x40	Skruv	Screw
35	2	M6SM16x70	Skruv	Screw
36	5	M6SM20x110A	Skruv	Screw
37	18	M6SM20x80	Skruv	Screw
38	14	MC6SM20x100A	Skruv	Screw
39	13	MC6SM20x120B	Skruv	Screw
40	2	MC6SM8x35	Skruv	Screw
41	4	NLM10	Bricka	Washer
42	2	NLM12	Bricka	Washer
43	8	NLM12SYD	Bricka	Washer
44	6	NLM16	Bricka	Washer
45	33	NLM20	Bricka	Washer
46	2	NLM8	Bricka	Washer
47	1	R23,47x2,62	O-ring	O-ring
48	1	016258	Slanglucka	Cover
49	1	0D14960	Blockhalva	Clamp

	<h1>T35.b</h1> <h2>Reservdelar / Spare parts</h2>	T35b_G13	190220
		<b>Grupp</b> <b>Sida</b>	<b>13</b> <b>14</b>



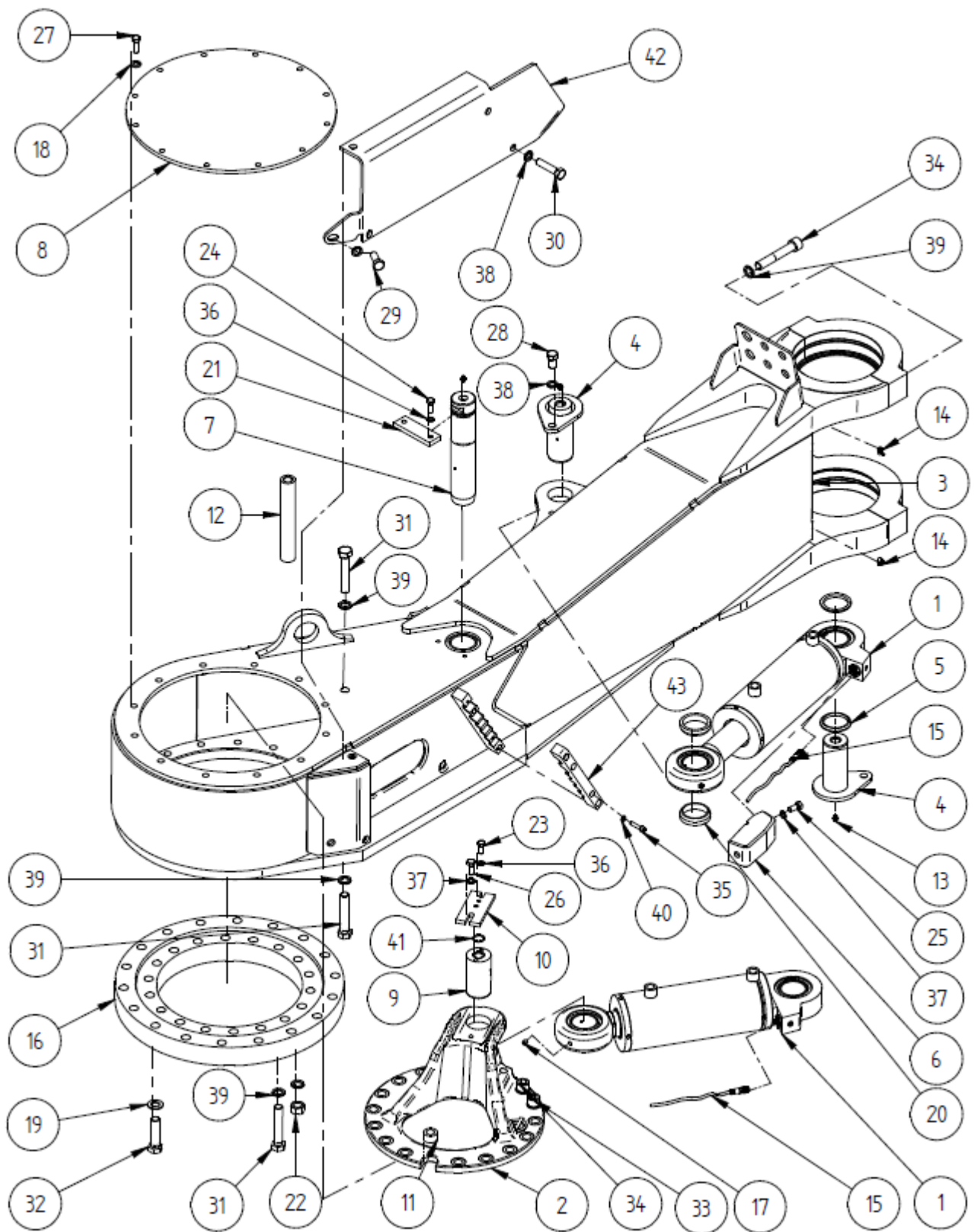
**T35.b**  
 Reservdelar / Spare parts

T35b_G13	190220
<b>Grupp</b>	<b>13</b>
<b>Sida</b>	<b>15</b>

## Arm mitt / Arm middle

Pos. Item	Antal Quantity	Artikel.nr. Part number	Benämning	Title
1	2	015153	Hydraulcylinder	Hydraulic cylinder
2	1	015503	Cylinderfäste TC -	Cylinder bracket
3	1	015636	Arm mitt	Arm right
4	2	015824	Axel	Axle
5	2	016487	Distans	Spacer
6	1	0D14282	Skyddskåpa	Housing
7	1	0D14493	Axeltapp TC+	Axle
8	1	0D14502	Lock	Cover
9	1	0D14510	Tapp TC-	Axle
9.1	1	R54,5x3	O-ring	O-ring
10	1	0D14564	Låsplatta	Shaft locking
11	1	0D14573	Distans	Spacer
12	1	0D14657	Distans	Spacer
13	3	800007	Smörjnippel KR 1/8 rak	Grease nipple KR 1/8
14	2	800013	Smörjnippel 90°	Grease nipple 90°
15	2	800474	Kabel sidocyl	Cable
16	1	800604	Svängkranslager	Slew ring
17	2	800748	Insexplugg R1/8	Plug R1/8
18	12	BRB13	Bricka	Washer
19	18	BRB20	Bricka	Washer
20	2	D200012	Distans sidocylinder	Spacer
21	1	D200016	Låsbleck	Shaft locking
22	1	M6M20	Mutter	Nut
23	2	M6SM10x25	Skruv	Screw
24	2	M6SM10x30	Skruv	Screw
25	1	M6SM12x25	Skruv	Screw
26	1	M6SM12x30	Skruv	Screw
27	12	M6SM12x35	Skruv	Screw
28	2	M6SM16x30	Skruv	Screw
29	2	M6SM16x40	Skruv	Screw
30	2	M6SM16x70	Skruv	Screw
31	5	M6SM20x110A	Skruv	Screw
32	18	M6SM20x80	Skruv	Screw
33	14	MC6SM20x100A	Skruv	Screw
34	13	MC6SM20x120B	Skruv	Screw
35	2	MC6SM8x35	Skruv	Screw
36	4	NLM10	Bricka	Washer
37	2	NLM12	Bricka	Washer
38	6	NLM16	Bricka	Washer
39	33	NLM20	Bricka	Washer
40	2	NLM8	Bricka	Washer
41	1	R23,47x2,62	O-ring	O-ring
42	1	016258	Slanglucka	Cover
43	1	0D14960	Blockhalva	Clamp

	<h1>T35.b</h1> <h2>Reservdelar / Spare parts</h2>	T35b_G13	190220
		<b>Grupp</b> <b>Sida</b>	<b>13</b> <b>16</b>



**T35.b**  
 Reservdelar / Spare parts

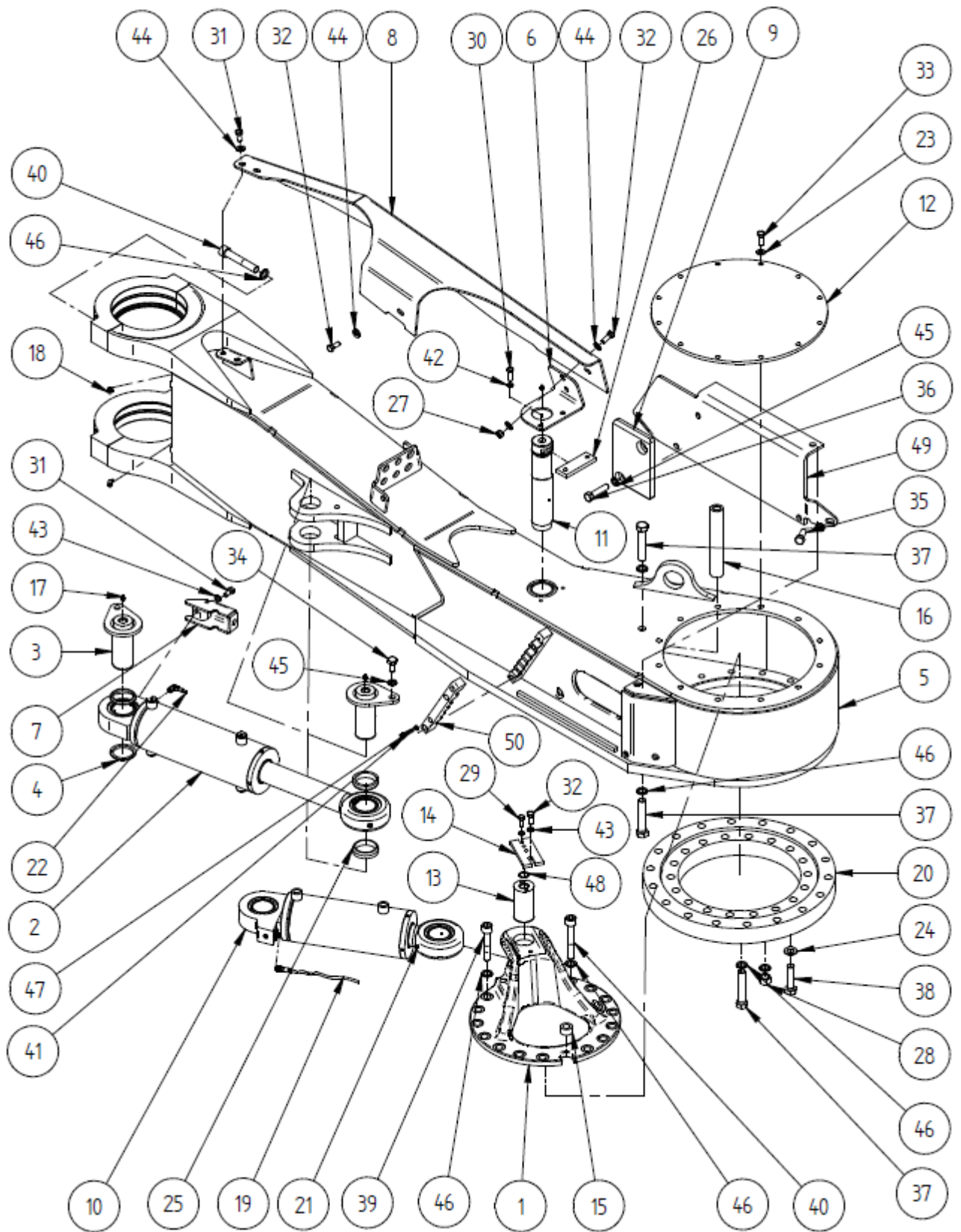
T35b_G13	190220
<b>Grupp</b>	<b>13</b>
<b>Sida</b>	<b>17</b>

## Armm höger / Arm right

Pos. Item	Antal Quantity	Artikel.nr. Part number	Benämning	Title
1	1	015503	Cylinderfäste TC -	Cylinder bracket
2	1	015650	Hydraulcylinder	Hydraulic cylinder
3	2	015824	Axel	Axle
4	2	016487	Distans	Spacer
5	1	015990	Arm höger	Arm right
6	1	016007	Fäste	Attachment
7	1	016214	Skyddskåpa	Housing
8	1	016253	Slangskydd höger	Cover
9	1	016255	Skruskydd	Screw
10	1	0D14259	Hydraulcylinder	Hydraulic cylinder
11	1	0D14493	Axeltapp TC+	Axle
11.1	1	R54,5x3	O-ring	O-ring
12	1	0D14502	Lock	Cover
13	1	0D14510	Tapp TC-	Axle
14	1	0D14564	Låsplatta	Shaft locking
15	1	0D14573	Distans	Spacer
16	1	0D14657	Distans	Spacer
17	3	800007	Smörjnippel KR 1/8 rak	Grease nipple KR 1/8
18	2	800013	Smörjnippel 90°	Grease nipple 90°
19	1	800474	Kabel sidocyl	Cable
20	1	800604	Svängkranslager	Slew ring
21	2	800748	Insexplugg R1/8	Plug R1/8
22	1	800983	Givarkabel M12 vinklad 5m	Cable M12
23	12	BRB13	Bricka	Washer
24	18	BRB20	Bricka	Washer
25	2	D200012	Distans sidocylinder	Spacer
26	1	D200016	Låsbleck	Shaft locking
27	2	M6M12	Sexkantsmutter M12 Fzb	Lock nut
28	1	M6M20	Mutter	Nut
29	2	M6SM10x25	Skruv	Screw
30	2	M6SM10x35	Skruv	Screw
31	3	M6SM12x25	Skruv	Screw
32	5	M6SM12x30	Skruv	Screw
33	12	M6SM12x35	Skruv	Screw
34	2	M6SM16x30	Skruv	Screw
35	2	M6SM16x40	Skruv	Screw
36	2	M6SM16x70	Skruv	Screw
37	5	M6SM20x110A	Skruv	Screw
38	18	M6SM20x80	Skruv	Screw
39	14	MC6SM20x100A	Skruv	Screw
40	13	MC6SM20x120B	Skruv	Screw
41	2	MC6SM8x35	Skruv	Screw
42	4	NLM10	Bricka	Washer
43	2	NLM12	Bricka	Washer
44	8	NLM12SYD	Bricka	Washer
45	6	NLM16	Bricka	Washer
46	33	NLM20	Bricka	Washer
47	2	NLM8	Bricka	Washer
48	1	R23,47x2,62	O-ring	O-ring
49	1	016259	Slanglucka	Cover
50	1	0D14960	Blockhalva	Clamp

	<h1>T35.b</h1> <h2>Reservdelar / Spare parts</h2>	T35b_G13	190220
		<b>Grupp</b> <b>Sida</b>	<b>13</b> <b>18</b>





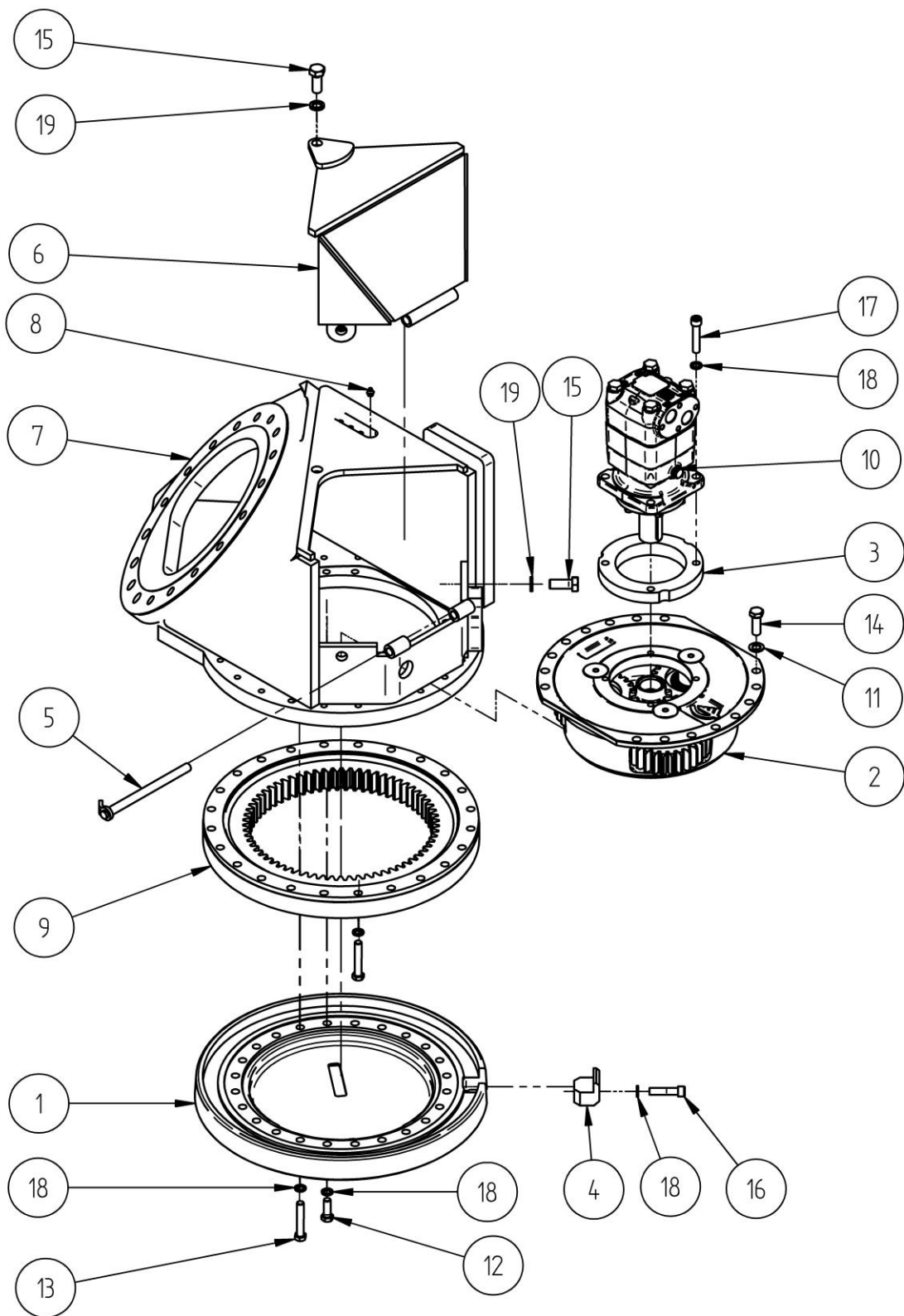
**T35.b**  
Reservdelar / Spare parts


T35b_G13	190220
Grupp	13
Sida	19

## Motorhus vänster/ Motor housing left

Pos. Item	Antal Quantity	Artikel.nr. Part number	Benämning	Title
1	1	015604	Tallriksadapter	Adapter
2	1	015795	Planethus	Planetary gear housing
3	1	0D14367	Motorring	Motor ring
4	1	0D14527	Åtdragningslucka	Cover
5	1	0D14534	Sprint	Pin
6	1	0D14896	Lucka 50°	Cover
7	1	0D14902V	Motorhus 50°	Motor housing
8	4	800007	Smörjnippel KR 1/8 rak	Grease nipple KR 1/8
9	1	800630	Kuggkranslager	Slew ring
10	1	800905	Hydraulmotor OMT 315	Hydraulic motor
10.1	1	151B0113	Packningssats OMT motor	Gasket kit
11	16	BRB15	Bricka	Washer
12	2	M6SM12x35	Skruv	Screw
13	46	M6SM12x70A	Skruv	Screw
14	16	M6SM14x40	Skruv	Screw
15	3	M6SM16x40	Skruv	Screw
16	1	MC6SM12x50_B	Skruv	Screw
17	4	MC6SM12x60B	Skruv	Screw
18	53	NLM12	Bricka	Washer
19	3	NLM16	Bricka	Washer

	<h3>T35.b</h3> <p>Reservdelar / Spare parts</p>	T35b_G13	190220
		<p><b>Grupp</b></p> <p><b>Sida</b></p>	<p><b>13</b></p> <p><b>20</b></p>

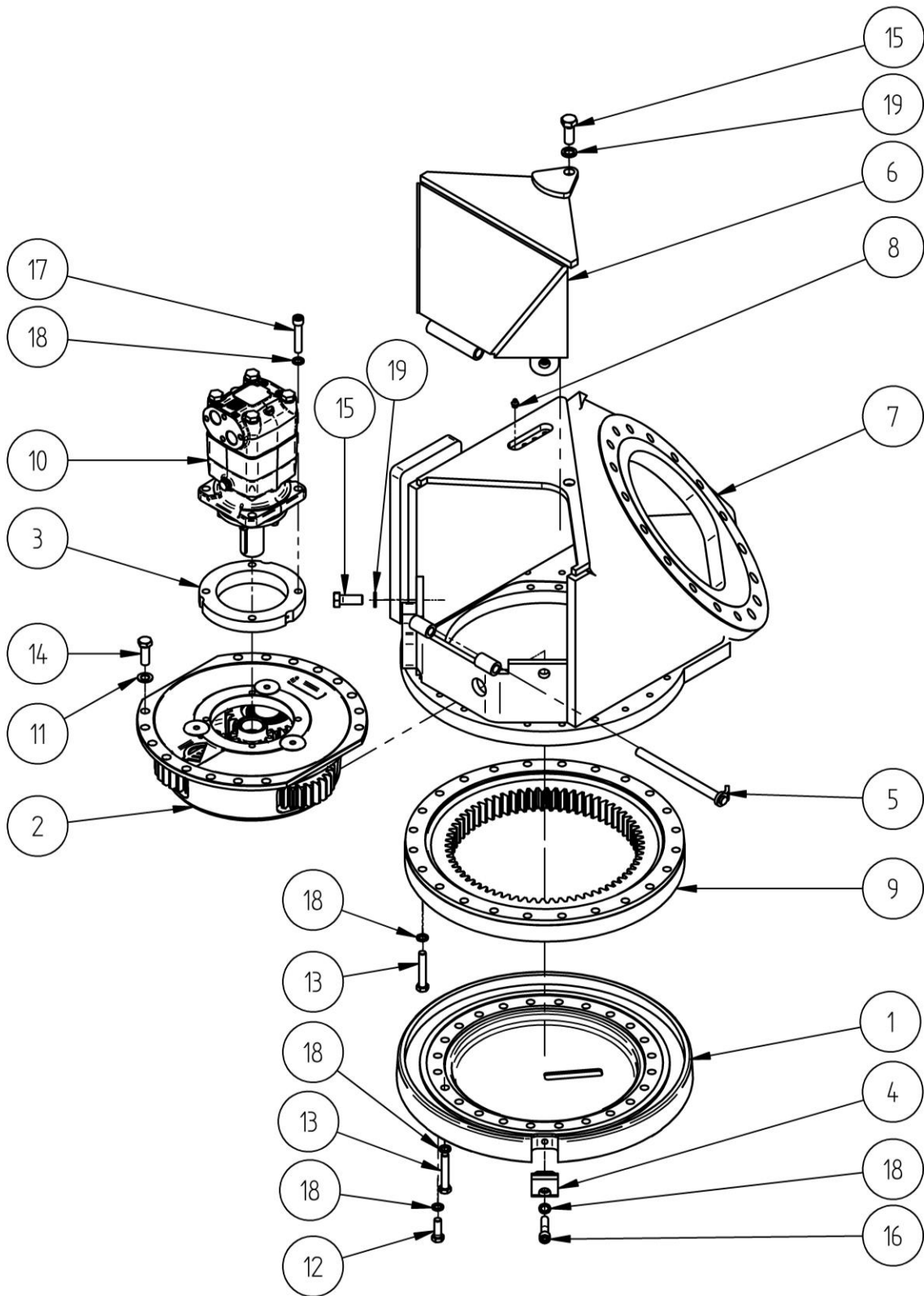


	<h2 style="text-align: center;">T35.b</h2> <p style="text-align: center;">Reservdelar / Spare parts</p>	T35b_G13	190220
		Grupp	13
		Sida	21

## Motorhus höger / Motor housing right

Pos. Item	Antal Quantity	Artikel.nr. Part number	Benämning	Title
1	1	015604	Tallriksadapter	Adapter
2	1	015795	Planethus	Planetary gear housing
3	1	0D14367	Motorring	Motor ring
4	1	0D14527	Åtdragningslucka	Cover
5	1	0D14534	Sprint	Pin
6	1	0D14896	Lucka 50°	Cover
7	1	0D14902H	Motorhus 50°	Motor housing
8	4	800007	Smörjnippel KR 1/8 rak	Grease nipple KR 1/8
9	1	800630	Kuggkranslager	Slew ring
10	1	800905	Hydraulmotor OMT 315	Hydraulic motor
10.1	1	151B0113	Packningssats OMT motor	Gasket kit
11	16	BRB15	Bricka	Washer
12	2	M6SM12x35	Skruv	Screw
13	46	M6SM12x70A	Skruv	Screw
14	16	M6SM14x40	Skruv	Screw
15	3	M6SM16x40	Skruv	Screw
16	1	MC6SM12x50_B	Skruv	Screw
17	4	MC6SM12x60B	Skruv	Screw
18	53	NLM12	Bricka	Washer
19	3	NLM16	Bricka	Washer

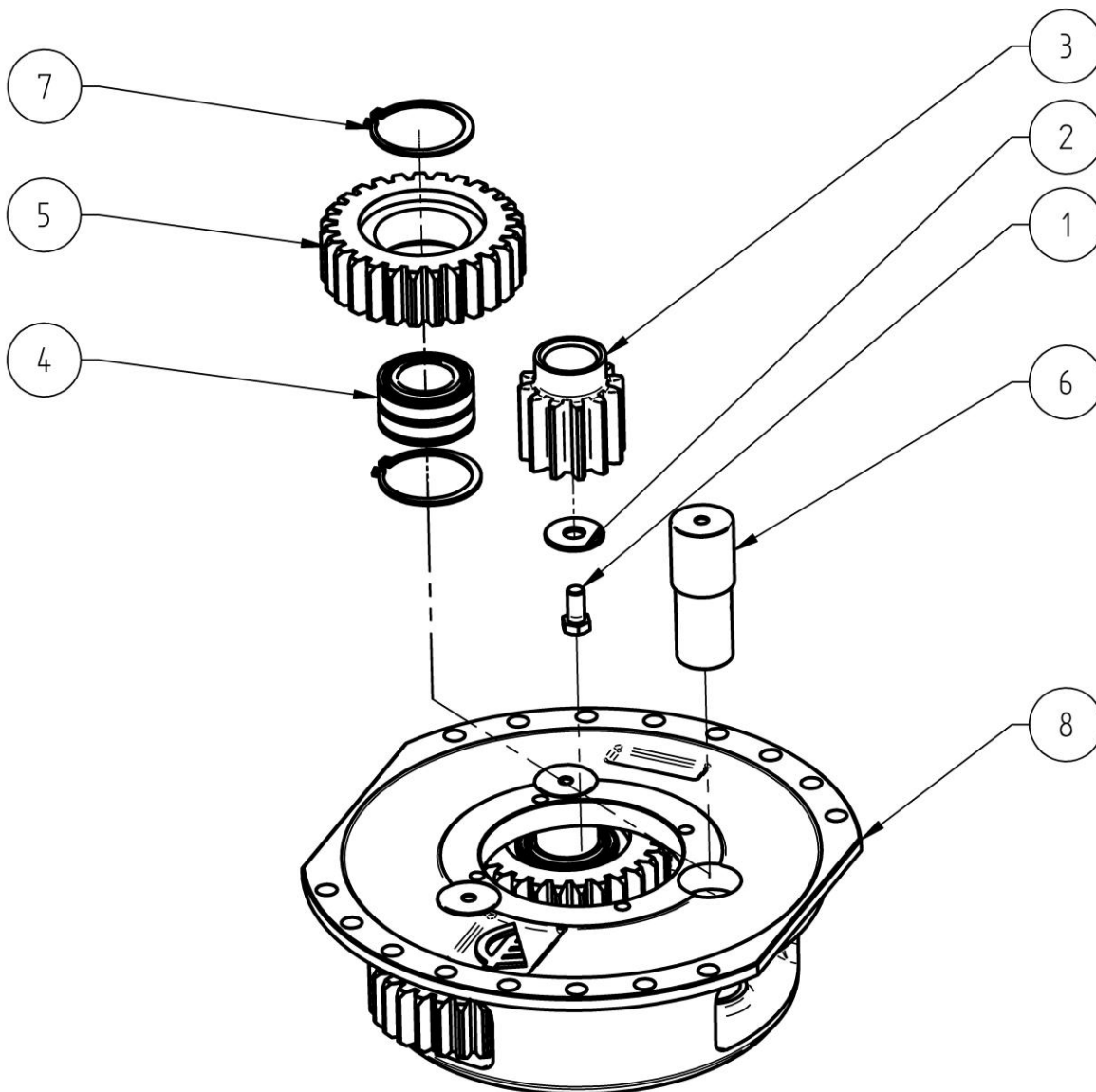
	<h3>T35.b</h3> <p>Reservdelar / Spare parts</p>	T35b_G13	190220
		<p><b>Grupp</b>      <b>13</b></p> <p><b>Sida</b>        <b>22</b></p>	




	<h2>T35.b</h2> <p>Reservdelar / Spare parts</p>	T35b_G13	190220
		<p><b>Grupp</b>      <b>13</b></p> <p><b>Sida</b>        <b>23</b></p>	

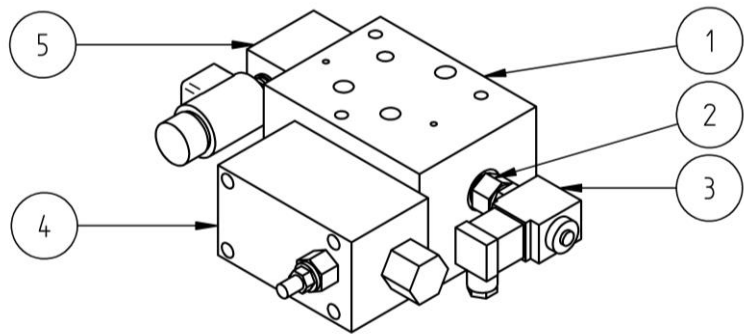
## Planetväxel / Planetary gear

Pos. Item	Antal Quantity	Artikel.nr. Part number	Benämning	Title
1	1	M6SM12x25	Skruv	Screw
2	1	SRKB14x42x3	Bricka	Washer
3	1	0D14440	Solhjul	Sun wheel
4	3	700030	Lager	Bearing
5	3	0D14365	Mellanhjul Z=27	Gear wheel
6	3	0D14544	Axel	Axle
7	6	SGA068	Låsring	Lock ring
8	1	015739	Planethus	Planetary gear housing




	<h3>T35.b</h3> <p>Reservdelar / Spare parts</p>	T35b_G13	190220
		<p><b>Grupp</b> 13</p> <p><b>Sida</b> 24</p>	

## HIC2



Pos. Item	Antal Quantity	Artikel.nr. Part number	Benämning	Title
1	1	192N521133-B	Tryckreduceringsblock	Pressure reducing block
2	1	800592	On/off ventil	On/off valve
3	1	800594	Spole 24V DC	Coil 24V DC
4	1	800913	Tryckreduceringsventil	Pressure reducing valve
4.1	1	800993	Tryckbegränsningsventil	Pressure limiting valve
4.2	1	800994	Logikventil	Logic valve
4.3	1	016173	O-ringssats till 800913	O-ring kit for 800913
4.4	1	801375	Tätningssats till 800994	Seal kit for 800994
5	1	800914	Tryckbegränsningsventil proportional	Pressure reducing valve, proportional
5.1	1	016198	O-ringssats till 800914	O-ring kit
5.2	1	801153	Tätningssats till patron på 800914	Seal kit for cartridge

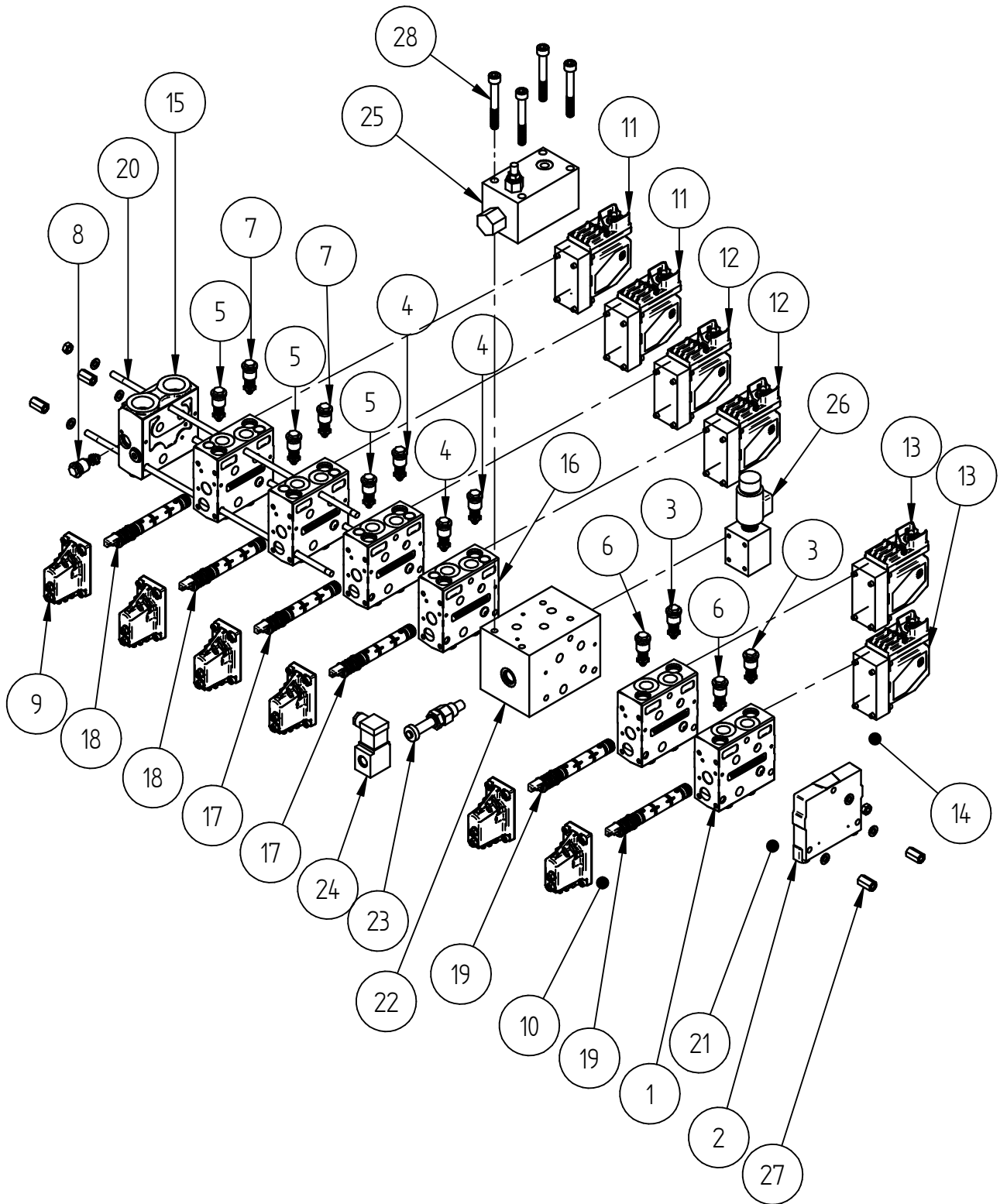
	<h3>T35.b</h3> <p>Reservdelar / Spare parts</p>	T35b_G13	190220
		<p><b>Grupp</b> 13</p> <p><b>Sida</b> 25</p>	


## Ventilpaket vänster 015710 / Valve assembly, left 015710

Pos. Item	Antal Quantity	Artikel.nr. Part number	Benämning	Title
1	2	0D14860	Bassektion för flytläge	Valve section float
2	1	157B2014	Ändplatta, PVS1	End Plate
3	2	157B2050	Chock & Efterfylln.Ventil	Chock & anti cavitation valve
4	3	157B2100	Chock & Efterfylln.Ventil	Chock & anti cavitation valve
5	3	157B2140	Chock & Efterfylln.Ventil	Chock & anti cavitation valve
6	2	157B2160	Chock & Efterfylln.Ventil	Chock & anti cavitation valve
7	2	157B2190	Chock & Efterfylln.Ventil	Chock & anti cavitation valve
8	1	157B2280	Chock & Efterfylln.Ventil	Chock & anti cavitation valve
9	6	157B3174	Kåpa PVG 32	Housing, PVG 32
10	6	157B3999	Packningssats PVM/PVMD 32	Seal kit PVM/PVMD 32
11	2	157B4128	Elmodul PVEM, prop., 24V	Electrical module, prop., 24V
12	2	157B4228	Elmodul PVEO, on-off, 24V	Electrical module, on-off, 24V
13	2	157B4428	Elmodul PVEM, prop., 24V, flyt	Electrical module, prop., 24V, float
14	6	157B4997	Packningssats PVE 32, SN2	Seal kit PVE 32, SN2
15	1	157B5941	Pumpsidemodul PVPV CC 32	Pump Side Module
16	4	157B6233	PVB Basventil	PVB valve section
17	2	157B7022	Ventilslid, PVG-32	Valve spool, PVG-32
18	2	157B7123	Ventilslid, PVG-32	Valve spool, PVG-32
19	2	157B7623	Ventilslid, PVG-32	Valve spool, PVG-32
20	1	157B8008	Monteringssats	Assembly kit
21	8	157B8999	Packningssats PVG32	Seal kit PVG32
22	1	192N521133-B	Tryckreduceringsblock	Valve section
23	1	800592	On/off ventil	On/off valve
24	1	800594	Spole 24V DC	Solenoid 24V DC
25	1	800913	Tryckreduceringsventil	Pressure reducing valve
26	1	800914	Tryckbegränsningsventil proportional	Pressure reducing valve, proportional
27	4	M6M8x24A	Skarvmutter	Nut
28	4	MC6SM10X80B	Insexskruv, 12,9	Screw

	<h3>T35.b</h3> <p>Reservdelar / Spare parts</p>	T35b_G13	190220
		<p><b>Grupp</b></p> <p><b>Sida</b></p>	<p><b>13</b></p> <p><b>26</b></p>



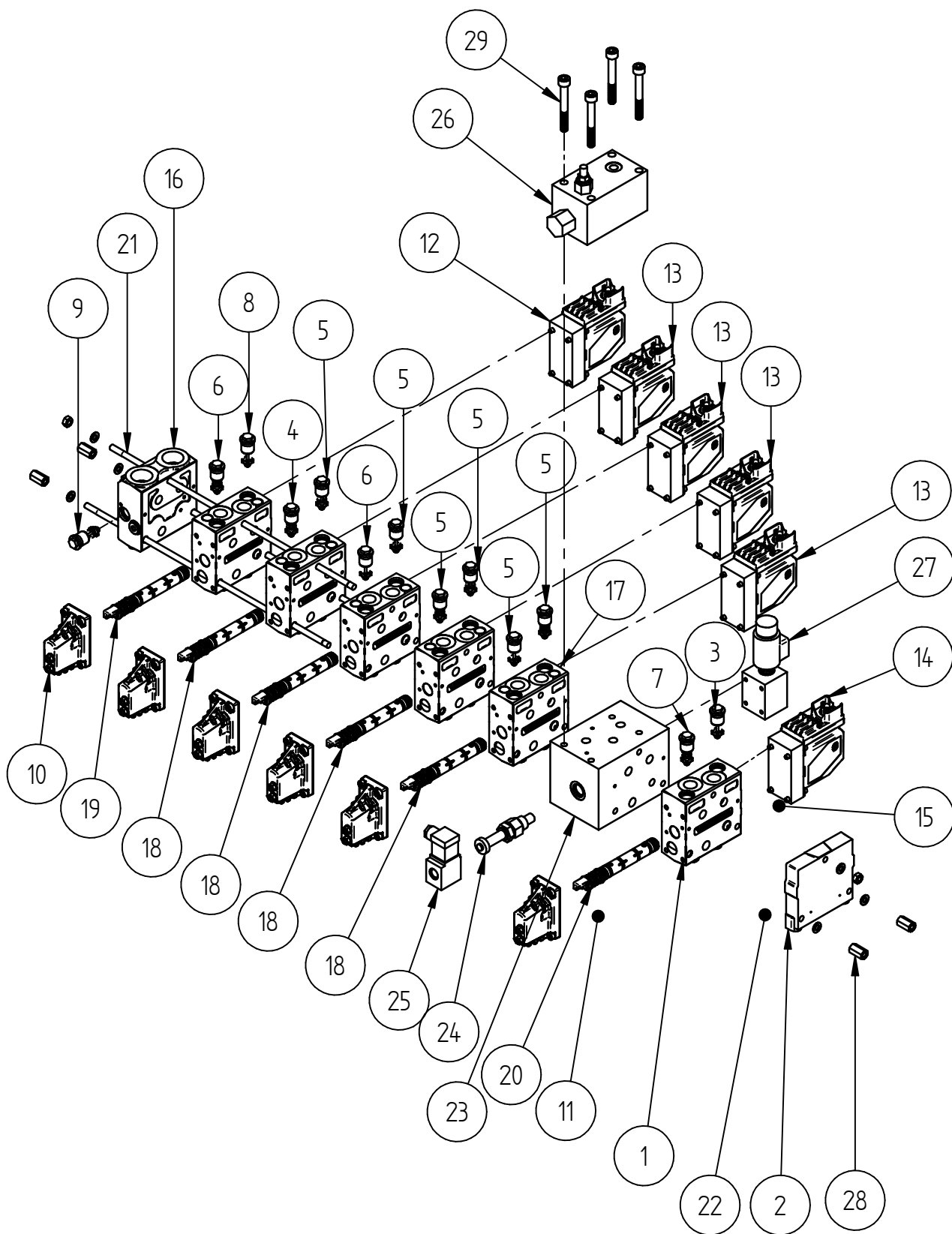



	<b>T35.b</b> Reservdelar / Spare parts	T35b_G13	190220
		Grupp Sida	13 27

## Ventilpaket höger 015711 / Valve assembly, right 015711

Pos. Item	Antal Quantity	Artikel.nr. Part number	Benämning	Title
1	1	0D14860	Bassektion för flytläge	Valve section float
2	1	157B2015	Ändplatta, PVS1	End Plate
3	1	157B2050	Chock & Efterfylln.Ventil	Chock & anti cavitation valve
4	1	157B2080	Chock & Efterfylln.Ventil	Chock & anti cavitation valve
5	6	157B2100	Chock & Efterfylln.Ventil	Chock & anti cavitation valve
6	2	157B2140	Chock & Efterfylln.Ventil	Chock & anti cavitation valve
7	1	157B2160	Chock & Efterfylln.Ventil	Chock & anti cavitation valve
8	1	157B2190	Chock & Efterfylln.Ventil	Chock & anti cavitation valve
9	1	157B2280	Chock & Efterfylln.Ventil	Chock & anti cavitation valve
10	6	157B3174	Kåpa PVG 32	Housing, PVG 32
11	6	157B3999	Packningssats PVM/PVMD 32	Seal kit PVM/PVMD 32
12	1	157B4128	Elmodul PVEM, prop., 24V	Electrical module, prop., 24V
13	4	157B4228	Elmodul PVEO, on-off, 24V	Electrical module, on-off, 24V
14	1	157B4428	Elmodul PVEM, prop., 24V, flyt	Electrical module, prop., 24V, float
15	6	157B4997	Packningssats PVE 32, SN2	Seal kit PVE 32, SN2
16	1	157B5941	Pumpsidemodul PVPV CC 32	Pump Side Module
17	5	157B6233	PVB Basventil	PVB valve section
18	4	157B7022	Ventilslid, PVG-32	Valve spool, PVG-32
19	1	157B7123	Ventilslid, PVG-32	Valve spool, PVG-32
20	1	157B7623	Ventilslid, PVG-32	Valve spool, PVG-32
21	1	157B8008	Monteringssats	Assembly kit
22	8	157B8999	Packningssats PVG32	Seal kit PVG32
23	1	192N521133-B	Tryckreduceringsblock	Valve section
24	1	800592	On/off ventil	On/off valve
25	1	800594	Spole 24V DC	Solenoid 24V DC
26	1	800913	Tryckreduceringsventil	Pressure reducing valve
27	1	800914	Tryckbegränsningsventil proportional	Pressure reducing valve, proportional
28	4	M6M8x24A	Skarvmutter	Nut
29	4	MC6SM10X80B	Insexskruv, 12,9	Screw

	<h3>T35.b</h3> <p>Reservdelar / Spare parts</p>	T35b_G13	190220
		<p><b>Grupp</b></p> <p><b>Sida</b></p>	<p><b>13</b></p> <p><b>28</b></p>

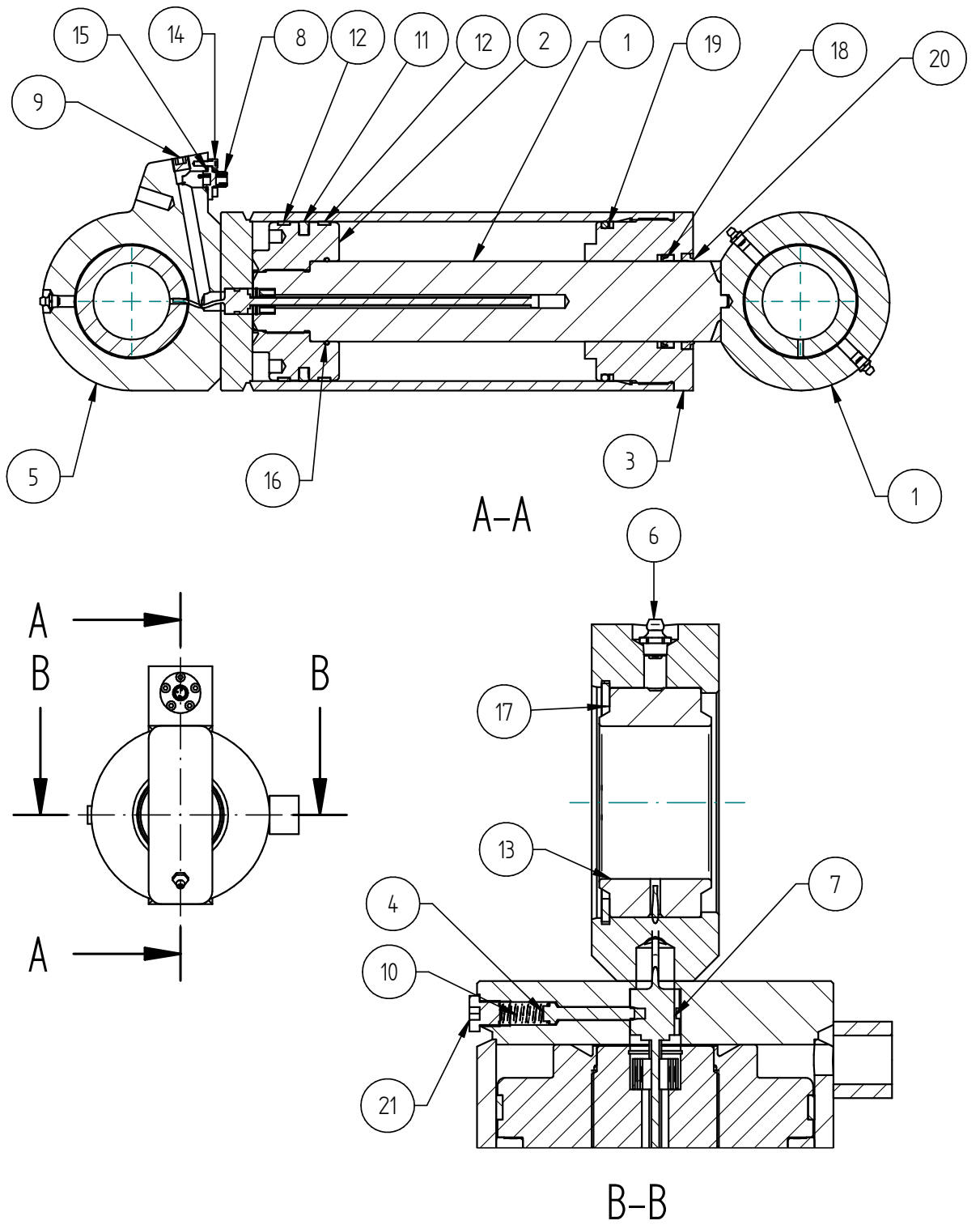


	<b>T35.b</b> Reservdelar / Spare parts	T35b_G13	190220
		Grupp Sida	13 29

## Hydraulcylinder / Hydraulic cylinder 0D14259

Pos. Item	Antal Quantity	Artikel.nr. Part number	Benämning	Title
1	1	015154	Kolvstång	Rod
2	1	016268	Kolv	Piston
3	1	0D14024	Toppmutter	Cylinder head
4	1	0D14707	Låspinne	Pin
5	1	0D14709	Cylinderrör	Cylinder pipe
6	3	800007	Smörjnippel KR 1/8 rak	Grease nipple KR1/8
7	1	800489	Lägesgivare	Position sensor
8	1	800490	Kontaktbon regal	Connector
9	1	800806	Insexplugg R 1/4 DIN 906	Plug R1/4 DIN 906
10	1	801077	Fjäder	Spring
11	1	801231	Kolv tätning HDP 330 125/104x7,8	Piston seal
12	2	801232	Styrning KB 125/120x9,6	Guide ring
13	2	D200530	Ledlager	Bearing
14	5	MC6SM4x8	Skruv	Screw
15	1	R14,1x1,78	O-ring	O-ring
16	1	R62,2x3,0	O-ring	O-ring
17	2	SGH090	Spårring	Lock ring
18	1	SI63_73x12	Kolvstångstätning	Piston seal
19	1	SR115_125_R114,3x5,7	Stödtring/o-ring	Support ring/ o-ring
20	1	VA63_75_7x10	Avstrykare	Wiper
21	1	VSTI_M10x1	Plugg VSTI M10x1	Plug
	1	D200531	Packningssats	Seal kit

	<h3>T35.b</h3> <p>Reservdelar / Spare parts</p>	T35b_G13	190220
		<p><b>Grupp</b></p> <p><b>Sida</b></p>	<p><b>13</b></p> <p><b>30</b></p>

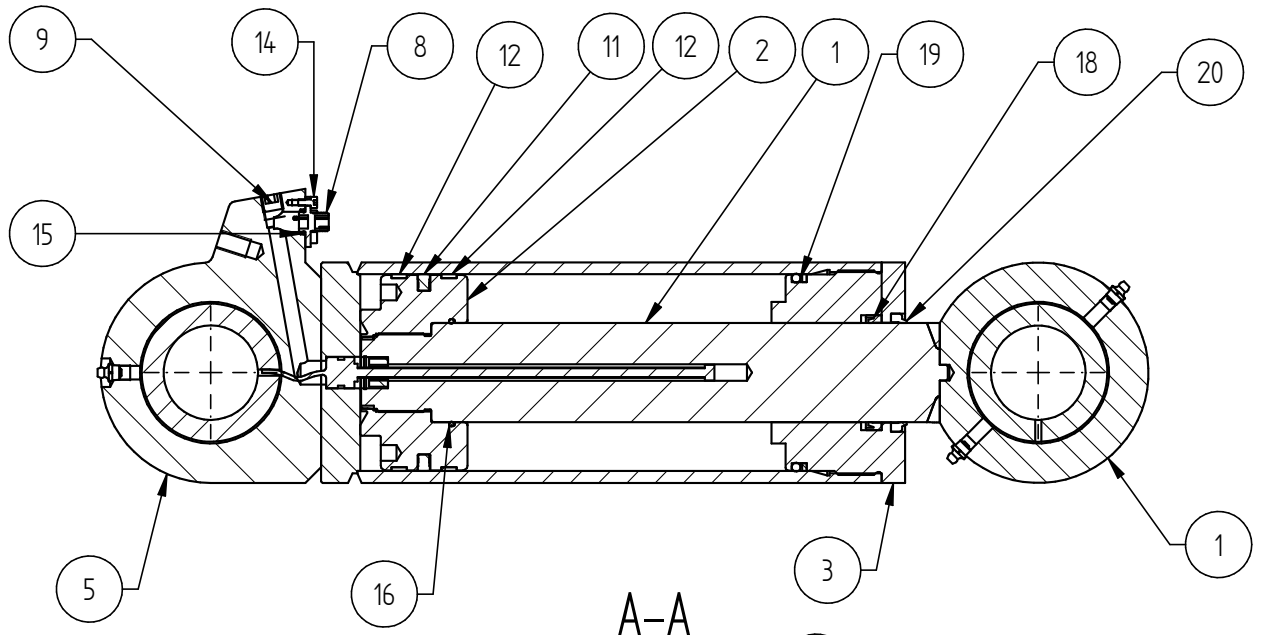


	<b>T35.b</b> Reservdelar / Spare parts	T35b_G13	190220
		<b>Grupp</b> <b>Sida</b>	<b>13</b> <b>31</b>

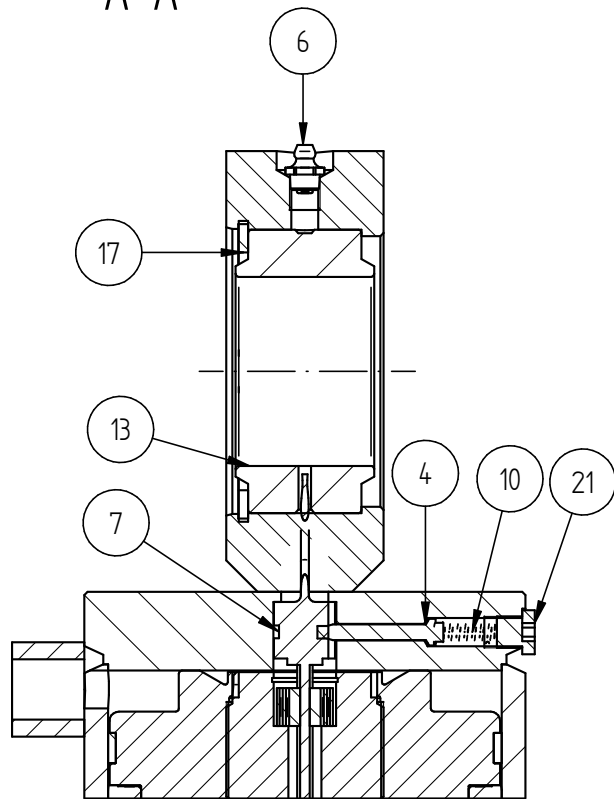
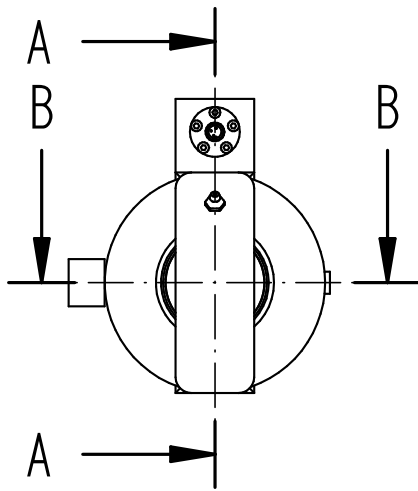
## Hydraulicylinder / Hydraulic cylinder 015153

Pos. Item	Antal Quantity	Artikel.nr. Part number	Benämning	Title
1	1	015154	Kolvstång	Rod
2	1	016268	Kolv	Piston
3	1	0D14024	Toppmutter	Cylinder head
4	1	0D14707	Låspinne	Pin
5	1	0D14709H	Cylinderrör	Cylinder pipe
6	3	800007	Smörjnippel KR 1/8 rak	Grease nipple KR1/8
7	1	800489	Lägesgivare	Position sensor
8	1	800490	Kontaktdon regal	Connector
9	1	800806	Insexplugg R 1/4 DIN 906	Plug R 1/4 DIN 906
10	1	801077	Fjäder	Spring
11	1	801231	Kolv tätning HDP 330 125/104x7,8	Piston seal
12	2	801232	Styrning KB 125/120x9,6	Guide ring
13	2	D200530	Ledlager GE60ES 2RS	Bearing
14	5	MC6SM4x8	Skruv	Screw
15	1	R12x2	O-ring	O-ring
16	1	R62,2x3,0	O-ring	O-ring
17	2	SGH090	Spårring	Lock ring
18	1	SI63_73x12	Kolvstångstätning	Piston seal
19	1	SR115_125_R114,3x5,7	Stödring/o-ring	Support ring/ o-ring
20	1	VA63_75_7x10	Avstrykare	Wiper
21	1	VSTI_M10x1	Plugg VSTI M10x1	Plug R 1/4 DIN 906
	1	D200531	Packningsatts	Seal kit

	<h3>T35.b</h3> <p>Reservdelar / Spare parts</p>	T35b_G13	190220
		<p><b>Grupp</b></p> <p><b>Sida</b></p>	<p><b>13</b></p> <p><b>32</b></p>



A-A



B-B

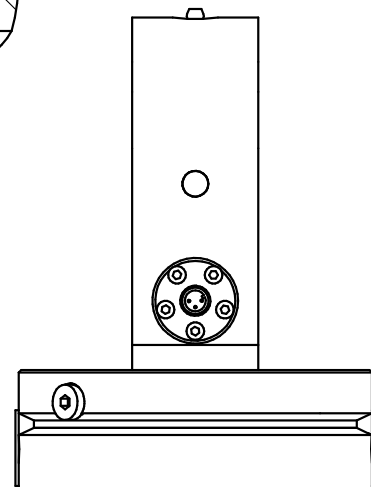
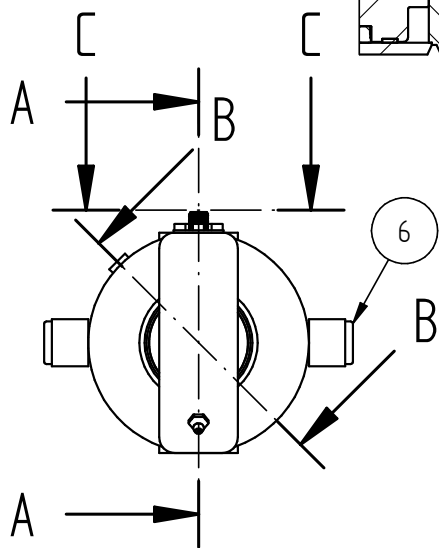
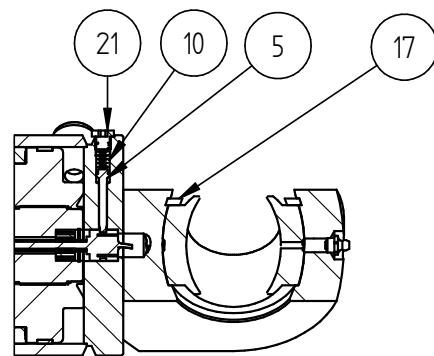
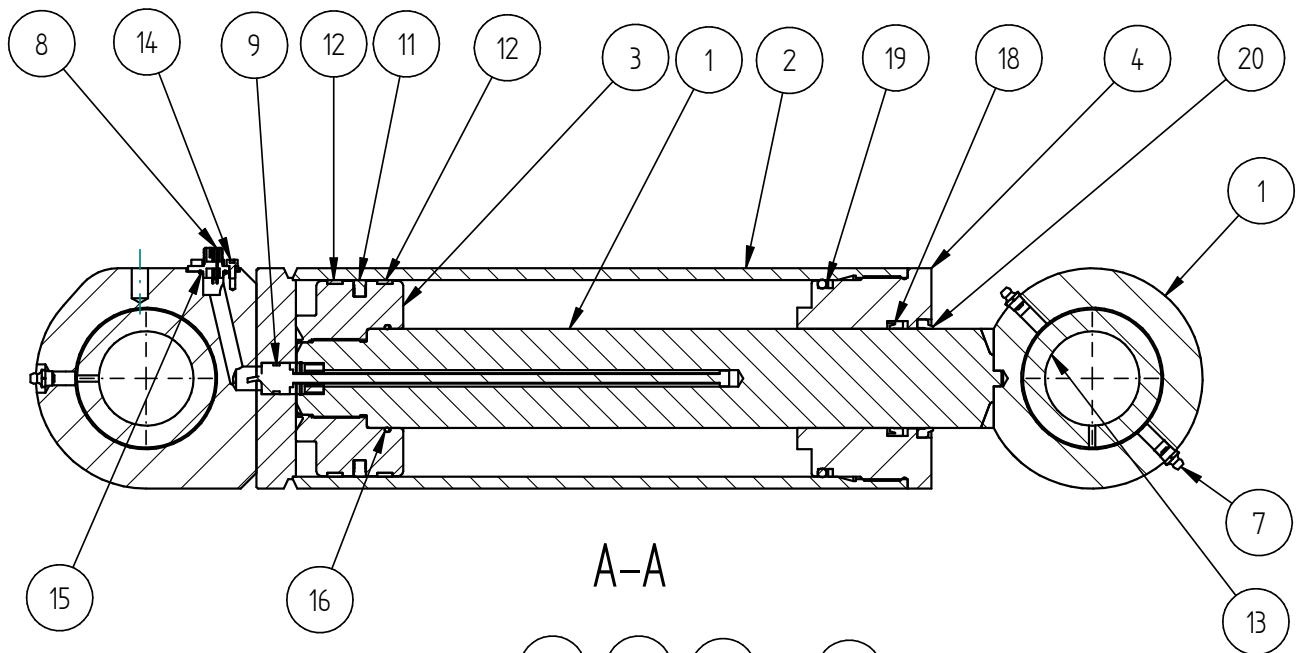
	<p><b>T35.b</b> Reservdelar / Spare parts</p>	T35b_G13	190220
		Grupp	13
		Sida	33

## Hydraulcylinder / Hydraulic cylinder 015650

Pos. Item	Antal Quantity	Artikel.nr. Part number	Benämning	Title
1	1	015646	Kolvstång	Rod
2	1	015648	Cylinderrör	Cylinder pipe
3	1	016268	Kolv	Piston
4	1	0D14024	Toppmutter	Cylinder head
5	1	0D14707	Låspinne	Pin
6	4	600008	Plugg VSTI 1/2"	Plug
7	3	800007	Smörjnippel KR 1/8 rak	Grease nipple KR1/8
8	1	800490	Kontaktidon regal	Connector
9	1	800984	Linjärgivare 250mm	Position sensor
10	1	801077	Fjäder	Spring
11	1	801231	Kolv tätning HDP 330 125/104x7,8	Piston seal
12	2	801232	Styrning KB 125/120x9,6	Guide ring
13	2	D200530	Ledlager	Bearing
14	5	MC6SM4x8	Skruv	Screw
15	1	R14,1x1,78	O-ring	O-ring
16	1	R62,2x3,0	O-ring	O-ring
17	2	SGH090	Spårring	Lock ring
18	1	SI63_73x12	Kolvstångstätning	Piston seal
19	1	SR115_125_R114,3x5,7	Stödring/o-ring	Support ring/ o-ring
20	1	VA63_75_7x10	Avstrykare	Wiper
21	1	VSTI_M10x1	Plugg VSTI M10x1	Plug
	1	D200531	Packningssats	Seal kit

	<h3>T35.b</h3> <p>Reservdelar / Spare parts</p>	T35b_G13	190220
		<p><b>Grupp</b></p> <p><b>Sida</b></p>	<p><b>13</b></p> <p><b>34</b></p>



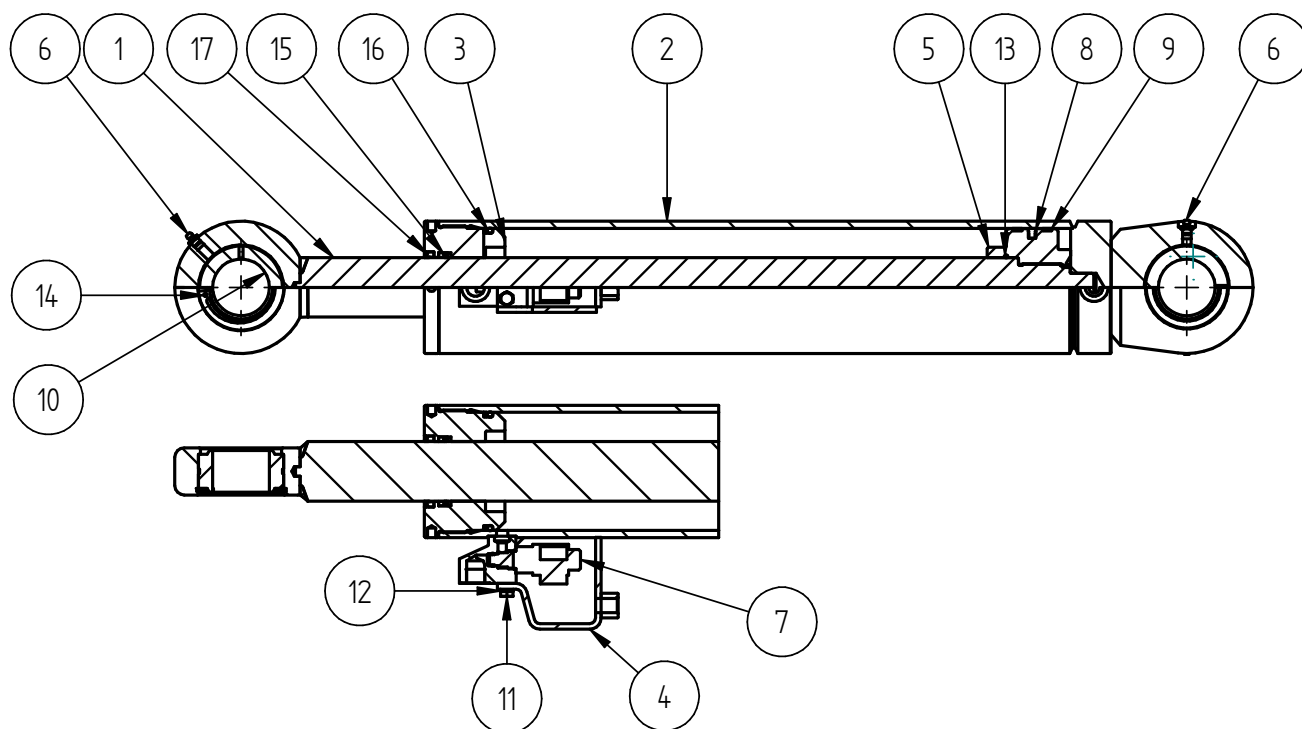


Orientering av kontakt  
Orientation of connector

	<b>T35.b</b> Reservdelar / Spare parts	T35b_G13	190220
		Grupp	13
		Sida	35

## Hydraulcylinder / Hydraulic cylinder 015752

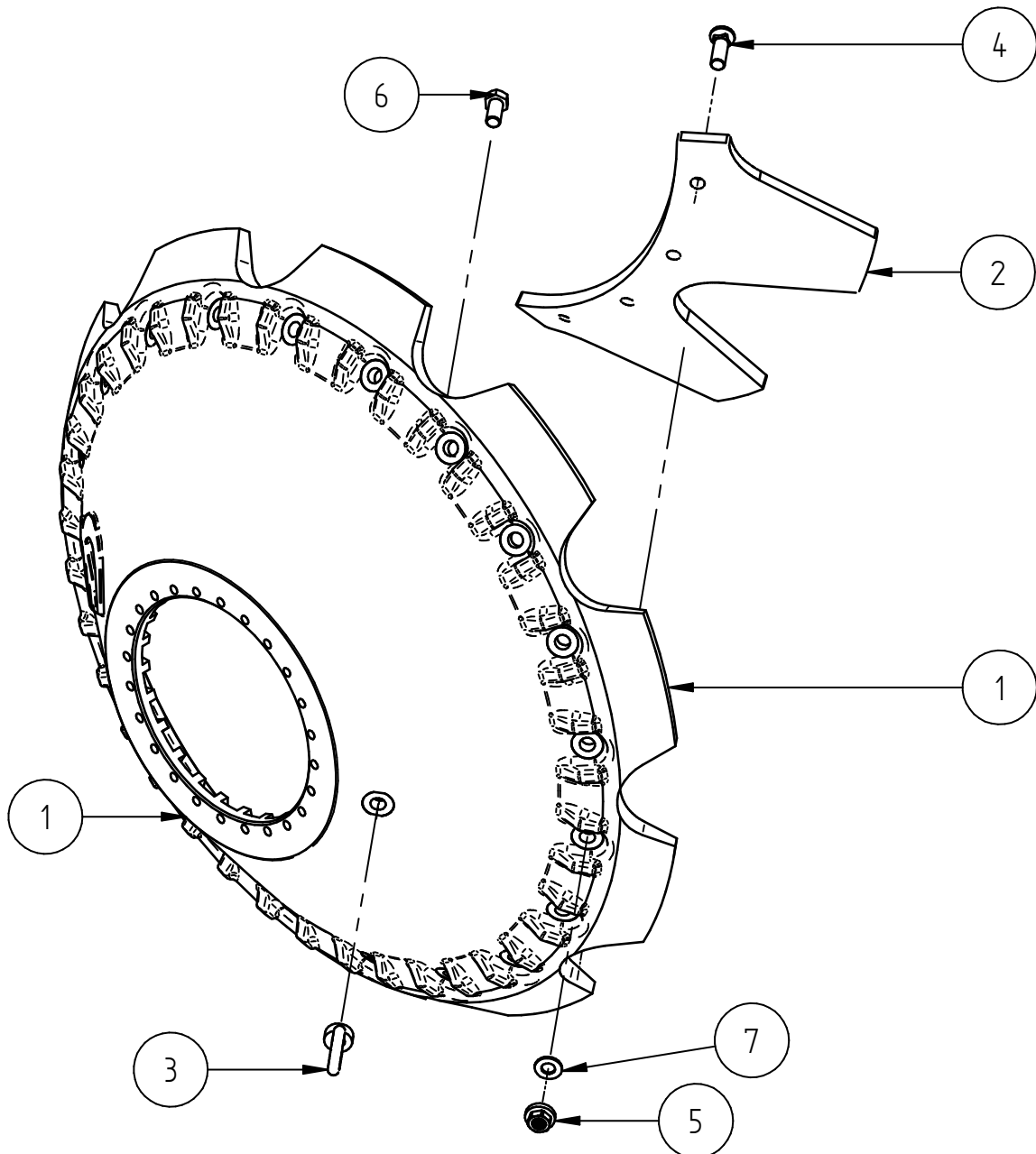
Pos. Item	Antal Quantity	Artikel.nr. Part number	Benämning	Title
1	1	015829	Kolvstång	Rod
2	1	015832	Cylinderrör	Cylinder pipe
3	1	015836	Toppmutter	Cylinder head
4	1	016092	Skyddskåpa	Cover
5	1	016269	Kolv	Piston
6	3	800007	Smörjnippel KR 1/8 rak	Grease nipple KR1/8
7	1	801100	2-vägsventil CT-5621 NC	Valve
8	1	801231	Kolv tätning HDP 330 125/104x7,8	Piston seal
9	2	801232	Styrning KB 125/120x9,6	Guide ring
10	2	D200530	Ledlager GE60ES 2RS	Bearing
11	2	M6SM8x20	Skruv	Screw
12	2	NLM8	Bricka	Washer
13	1	R62,2x3,0	O-ring	O-ring
14	2	SGH090	Spårring	Lock ring
15	1	SI63_73x12	Kolvstångstätning	Piston seal
16	1	SR115_125_R114,3x5,7	Stödring/o-ring	Support ring/ o-ring
17	1	VA63_75_7x10	Avstrykare	Wiper
	1	D200531	Packningssats	Seal kit



	<h3>T35.b</h3> <p>Reservdelar / Spare parts</p>	T35b_G13	190220
		<p><b>Grupp</b></p> <p><b>Sida</b></p>	<p><b>13</b></p> <p><b>36</b></p>

## Tallrik / Disc

Pos. Item	Antal Quantity	Artikel.nr. Part number	Benämning	Title
1	1	016918	Tallrik komplett	Disc, complete
2	5	016880	Tand	Tooth plate
3	1	801381	Lyftögla DIN582 M20 FZB	Lifting eye nut
4	20	FHM20x65B	Sparskärsskruv 12.9	Screw
5	20	M6MFM20A	Flänsmutter fosf.	Nut
6	1	M6SM20x40	Skruv	Screw
7	20	NLM20SYD	Nord-Lock bricka, M20, stor Y.D.	Nord-Lock washer

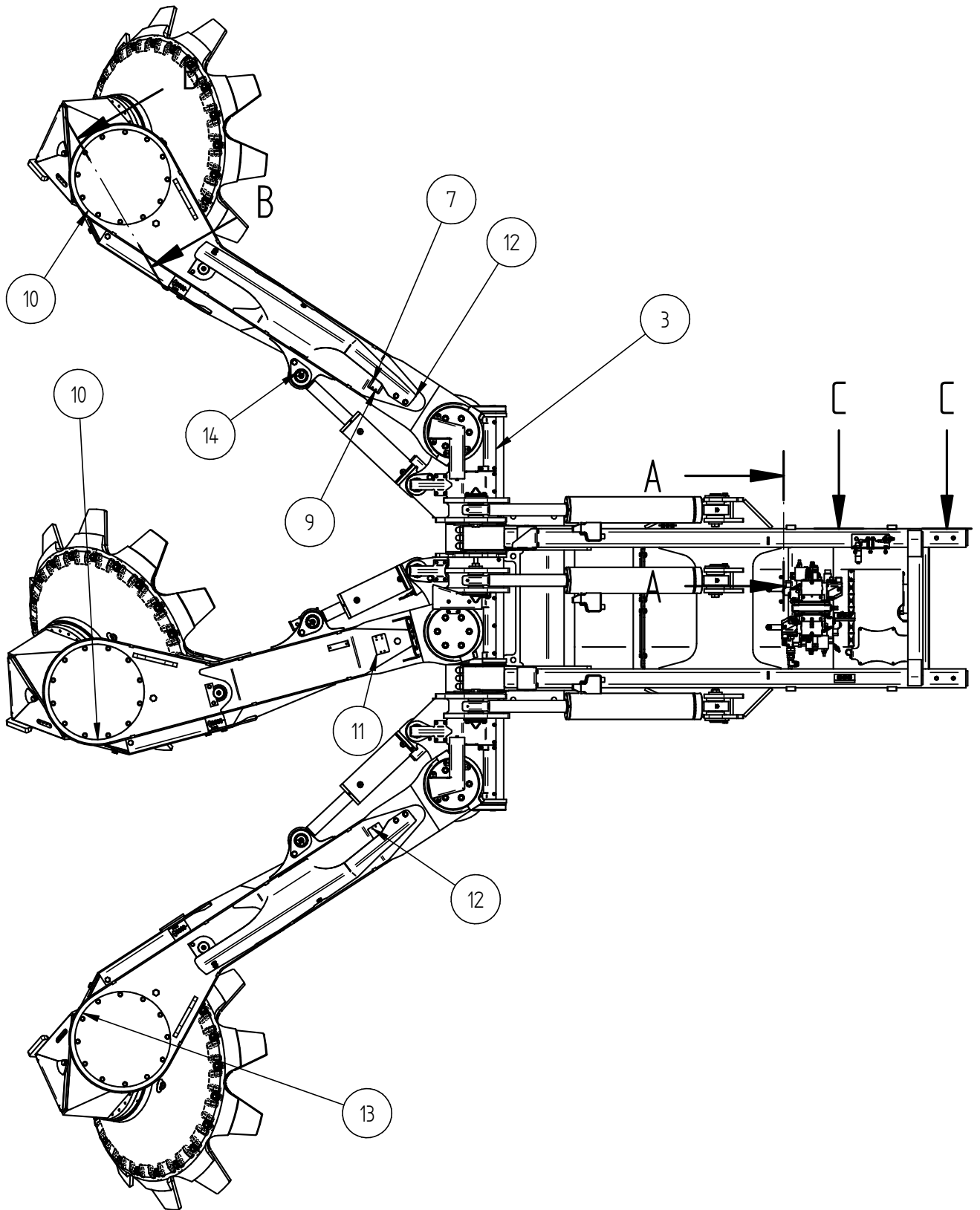



	<b>T35.b</b> Reservdelar / Spare parts	T35b_G13	190220
		Grupp	13
		Sida	37

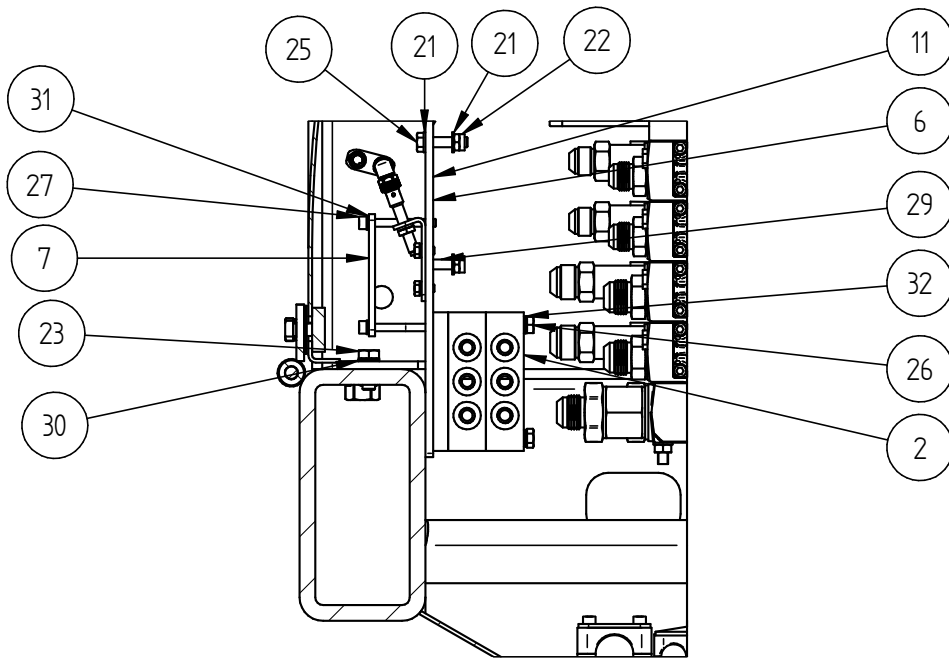
## Centralsmörjning/Automatic lubrication 016448

Pos. Item	Antal Quantity	Artikel.nr. Part number	Benämning	Title
1	3	016284	Fäste smörjfördelare	Bracket for metering device
2	8	016285	Anslutningsblock	Connection block
3	1	016323	Skydd för centralsmörjning T35.b	Cover
4	1	016450	Slangsats centralsmörjning T35.b	Hose kit
5	1	016451	Adaptersats centralsmörjning T35.b	Adapter kit
6	1	016452	Fäste smörjpump	Bracket
7	4	016455	Fäste smörjfördelare	Bracket for metering device
8	1	016457	Smörjfördelare smst	Metering device
9	1	016458	Smörjfördelare smst	Metering device
10	2	016459	Smörjfördelare smst	Metering device
11	1	016460	Smörjfördelare smst	Metering device
12	1	016462	Smörjfördelare smst	Metering device
13	1	016463	Smörjfördelare smst	Metering device
14	3	016754	Axel	Axle
15	1	016875	Smörjpump 203 smst	Lubrication pump
16	1	016913	Givarfäste	Sensor bracket
17	1	800534	Sensor, M8	Sensor, M8
18	3	800748	Insexplugg R1/8	Plug
19	1	801434	T-stycke M12 5-polig rak	T-connector M12
20	1	801531	Kabel M12 4-pol rak hane - 90° hona	Cable M12
21	5	BRB08,4	Bricka	Washer
22	3	LKM8	Låsmutter	Lock nut
23	2	M6SM10x25	Skruv	Screw
24	2	M6SM6x12	Skruv	Screw
25	2	M6SM8x35	Sexkantsskruv, 8.8 Fzb	Screw
26	2	M6SM8x70	Sexkantsskruv, 8.8 Fzb	Screw
27	28	MC6SM6x55B	Insexskruv 12.9	Screw
28	12	MC6SM8x30B	Insexskruv 12.9	Screw
29	1	MF6SM8x30A	Skruv	Screw
30	2	NLM10	Nord-Lock bricka, M10	Washer
31	30	NLM6	Nord-Lock bricka, M6	Washer
32	14	NLM8	Nord-Lock bricka, M8	Washer
33	2	SPIRAL-25	Skyddsspiral 25mm 1,2m	Hose protection

	<h3>T35.b</h3> <p>Reservdelar / Spare parts</p>	T35b_G13	190220
		<p><b>Grupp</b></p> <p><b>Sida</b></p>	<p><b>13</b></p> <p><b>38</b></p>



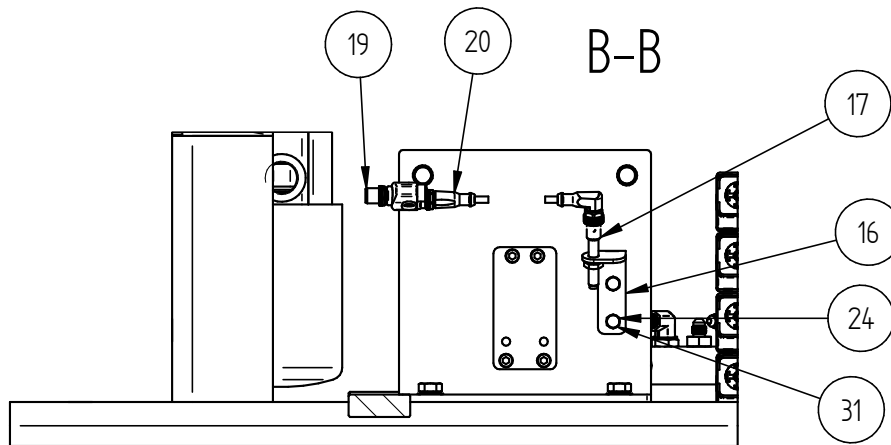
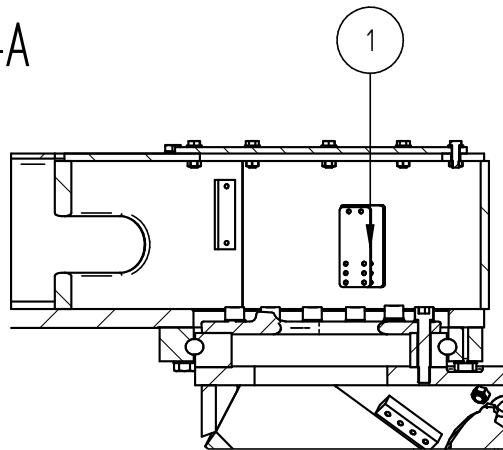
	<b>T35.b</b> Reservdelar / Spare parts	T35b_G13	190220
		Grupp Sida	13 39



A-A

Pumpinställning  
 Blå ratt 1  
 Röd ratt 4

Pump setting  
 Blue switch 1  
 Red switch 4



B-B

C-C

	<b>T35.b</b> Reservdelar / Spare parts	T35b_G13	190220
		<b>Grupp</b> <b>Sida</b>	<b>13</b> <b>40</b>

## Slangsats centralsmörjning/Hose kit automatic lubrication 016450

016450-18	LMC + H	4800-04	3350	RakJIC 4521-04-04	Banjo 4550-02-04	2610-04	1
016450-17	BC - H	4800-04	1500	RakJIC 4521-04-04	RakJIC 4521-04-04	2610-04	1
016450-16							0
016450-15	Matning bakre block H	4800-04	1210	RakJIC 4521-04-04	RakJIC 4521-04-04	2610-04	1
016450-14	Matning bakre block H	4800-04	3900	RakJIC 4521-04-04	RakJIC 4521-04-04	2610-04	1
016450-13	Matning främre block H	4800-04	3650	RakJIC 4521-04-04	RakJIC 4521-04-04	2610-04	1
016450-12	LMC + M	4800-04	2450	RakJIC 4521-04-04	Banjo 4550-02-04	2610-04	1
016450-11	BC - M	4800-04	1810	RakJIC 4521-04-04	RakJIC 4521-04-04	2610-04	1
016450-10							0
016450-9	Matning bakre block M	4800-04	1810	RakJIC 4521-04-04	RakJIC 4521-04-04	2610-04	1
016450-8	Matning bakre block M	4800-04	2850	RakJIC 4521-04-04	RakJIC 4521-04-04	2610-04	1
016450-7	Matning främre block M	4800-04	3200	RakJIC 4521-04-04	RakJIC 4521-04-04	2610-04	1
016450-6	LMC + V	4800-04	3350	RakJIC 4521-04-04	Banjo 4550-02-04	2610-04	1
016450-5	BC - V	4800-04	1500	RakJIC 4521-04-04	RakJIC 4521-04-04	2610-04	1
016450-4							0
016450-3	Matning bakre block V	4800-04	1210	RakJIC 4521-04-04	RakJIC 4521-04-04	2610-04	1
016450-2	Matning bakre block V	4800-04	3900	RakJIC 4521-04-04	RakJIC 4521-04-04	2610-04	1
016450-1	Matning främre block V	4800-04	3650	RakJIC 4521-04-04	RakJIC 4521-04-04	2610-04	1
Part number	Name	Hose type	Cut length (mm)	Coupling 1 Manuli	Coupling 2 Manuli	Collar Manuli	Quantity

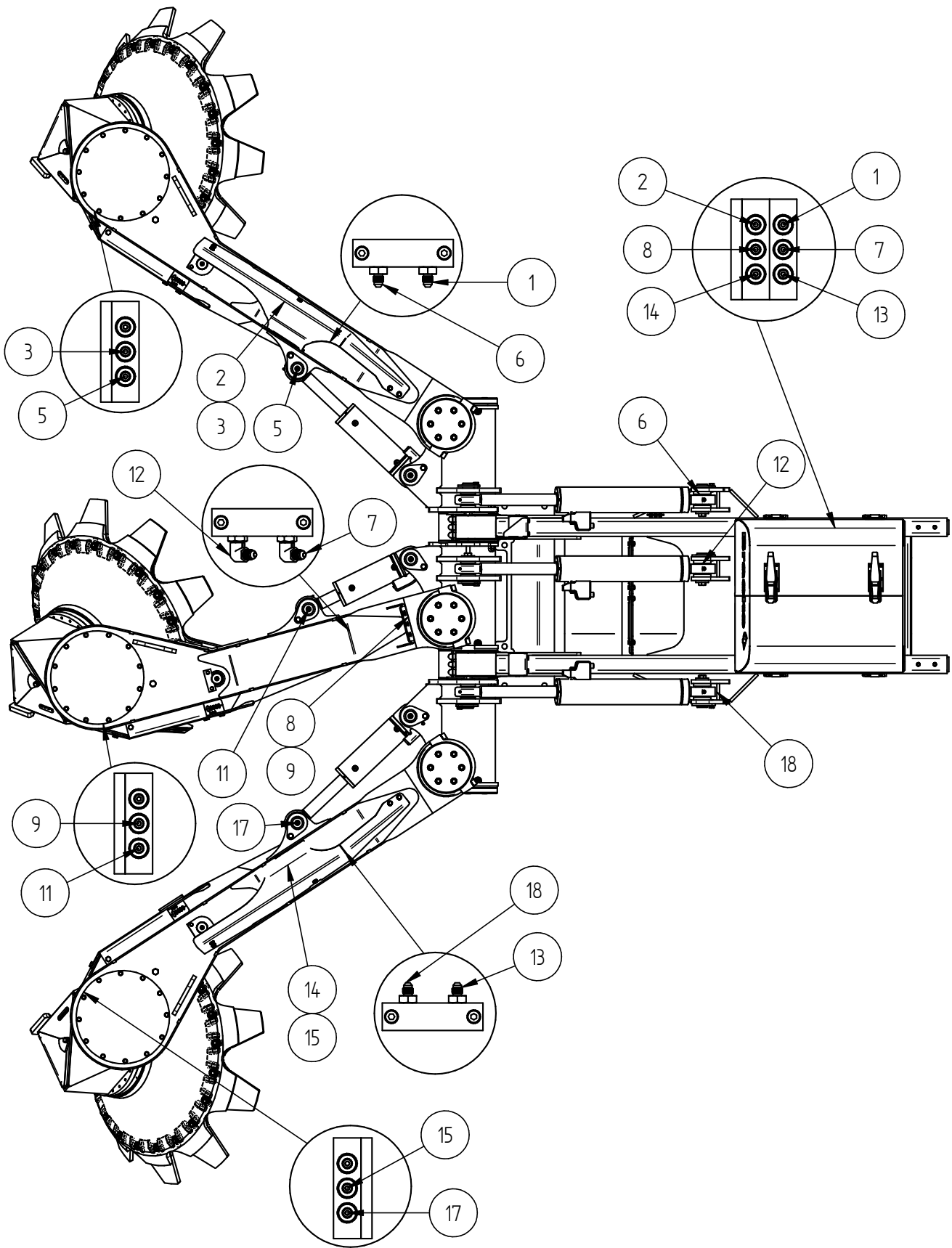


**T35.b**  
Reservdelar / Spare parts

T35b\_G13

190220

Grupp 13  
Sida 41




**T35.b**  
Reservdelar / Spare parts

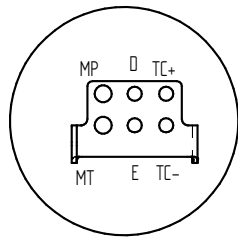
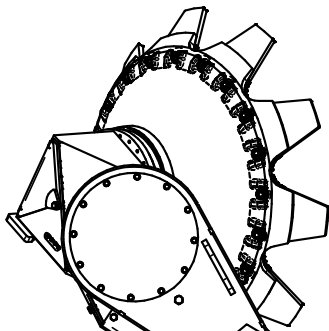
T35b_G13	190220
<b>Grupp</b>	<b>13</b>
<b>Sida</b>	<b>42</b>



## Slangsats Arm-Ram/Hose kit arm-frame 015885

015885-27	BC el h	5940-08	3400	RakJIC 4521-10-08	-	4710-08	1
015885-26	BC + h	5940-08	2030	RakJIC 4521-10-08	RakJIC 4521-10-08	4710-08	1
015885-25	BC - h	5940-08	1920	RakJIC 4521-10-08	RakJIC 4521-10-08	4710-08	1
015885-24	BC el m	5940-08	3360	RakJIC 4521-10-08	-	4710-08	1
015885-23	BC + m	5940-08	2200	RakJIC 4521-10-08	RakJIC 4521-10-08	4710-08	1
015885-22	BC - m	5940-08	2000	RakJIC 4521-10-08	RakJIC 4521-10-08	4710-08	1
015885-21	BC el v	5940-08	3400	RakJIC 4521-10-08	-	4710-08	1
015885-20	BC + v	5940-08	2030	RakJIC 4521-10-08	RakJIC 4521-10-08	4710-08	1
015885-19	BC - v	5940-08	1920	RakJIC 4521-10-08	RakJIC 4521-10-08	4710-08	1
015885-18	TC- h	5940-08	2600	RakJIC 4521-10-08	RakJIC 4521-10-08	4710-08	1
015885-17	TC + h	5940-08	2600	RakJIC 4521-10-08	RakJIC 4521-10-08	4710-08	1
015885-16	D h	5940-08	2600	RakJIC 4521-10-08	RakJIC 4521-10-08	4710-08	1
015885-15	E h	5940-08	3900	RakJIC 4521-10-08	-	4710-08	1
015885-14	MT h	5940-12	2600	RakJIC 4521-12-12	RakJIC 4521-12-12	4710-12	1
015885-13	MP h	5940-12	2600	RakJIC 4521-12-12	RakJIC 4521-12-12	4710-12	1
015885-12	TC- m	5940-08	1420	RakJIC 4521-10-08	RakJIC 4521-10-08	4710-08	1
015885-11	TC + m	5940-08	1420	RakJIC 4521-10-08	RakJIC 4521-10-08	4710-08	1
015885-10	D m	5940-08	1480	RakJIC 4521-10-08	RakJIC 4521-10-08	4710-08	1
015885-9	E m	5940-08	2750	RakJIC 4521-10-08	-	4710-08	1
015885-8	MT m	5940-12	1400	RakJIC 4521-12-12	RakJIC 4521-12-12	4710-12	1
015885-7	MP m	5940-12	1420	RakJIC 4521-12-12	RakJIC 4521-12-12	4710-12	1
015885-6	TC- v	5940-08	2600	RakJIC 4521-10-08	RakJIC 4521-10-08	4710-08	1
015885-5	TC + v	5940-08	2600	RakJIC 4521-10-08	RakJIC 4521-10-08	4710-08	1
015885-4	D v	5940-08	2600	RakJIC 4521-10-08	RakJIC 4521-10-08	4710-08	1
015885-3	E v	5940-08	3900	RakJIC 4521-10-08	-	4710-08	1
015885-2	MT v	5940-12	2600	RakJIC 4521-12-12	RakJIC 4521-12-12	4710-12	1
015885-1	MP v	5940-12	2600	RakJIC 4521-12-12	RakJIC 4521-12-12	4710-12	1
Part number	Name	Hose type	Cut length (mm)	Coupling 1 Manuli	Coupling 2 Manuli	Collar Manuli	Quantity

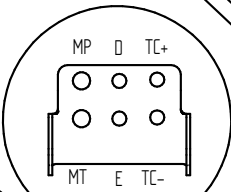
	<b>T35.b</b> <b>Reservdelar / Spare parts</b>	T35b_G13	190220
		<b>Grupp Sida</b>	<b>13 43</b>



Vy bakifrån/Rear view

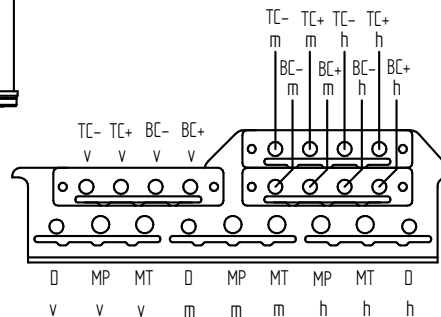
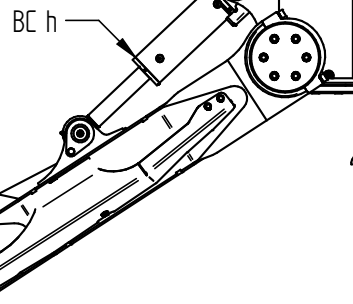
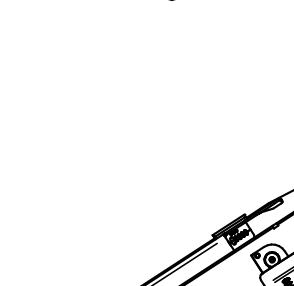
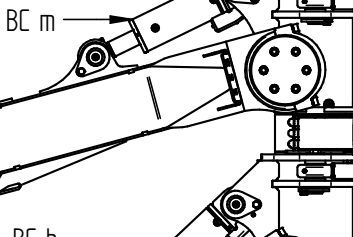
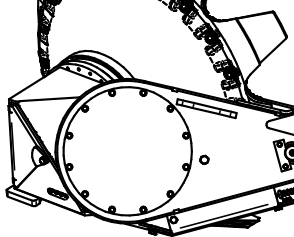
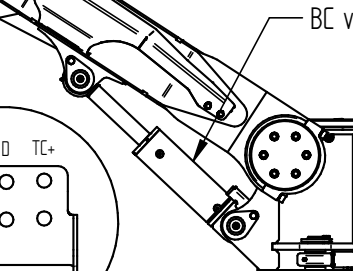
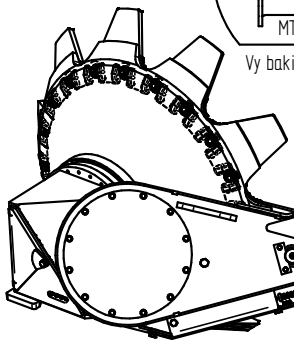
	V
MP	1
MT	2
E	3
D	4
TC+	5
TC-	6

	M
MP	7
MT	8
E	9
D	10
TC+	11
TC-	12



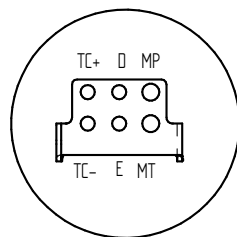
Vy bakifrån/Rear view

	-	+	EL
BC v	19	20	21
BC m	22	23	24
BC H	25	26	27



Vy bakifrån/Rear view

TC- v	6
TC+ v	5
BC- v	19
BC+ v	20
D v	4
MP v	1
MT v	2
TC- m	12
TC+ m	11
BC- m	22
BC+ m	23
D m	10
MP m	7
MT m	8
TC- h	18
TC+ h	17
BC- h	25
BC+ h	26
D h	16
MP h	13
MT h	14



Vy bakifrån/Rear view

	H
MP	13
MT	14
E	15
D	16
TC+	17
TC-	18



# T35.b

Reservdelar / Spare parts


T35b\_G13

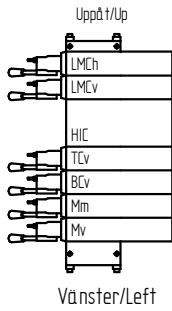
190220

**Grupp** 13  
**Sida** 44

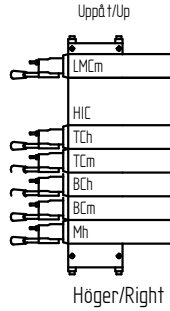
## Slangsats ram/Hose kit frame 015886

015886-43	Lasthållningsventil h	5940-08	1500	RakJIC 4521-10-08	-	4710-08	1
015886-42	Lasthållningsventil m	5940-08	1500	RakJIC 4521-10-08	-	4710-08	1
015886-41	Lasthållningsventil v	5940-08	1600	RakJIC 4521-10-08	-	4710-08	1
015886-40	MT h	4700-12	900	RakJIC 4521-12-12	90° JIC 4527-12-12	4710-12	1
015886-39	MP h	4700-12	900	RakJIC 4521-12-12	90° JIC 4527-12-12	4710-12	1
015886-38	BC+ h	4800-08	990	RakJIC 4521-10-08	90° JIC 4527-10-08	2610-08	1
015886-37	BC- h	4800-08	990	RakJIC 4521-10-08	90° JIC 4527-10-08	2610-08	1
015886-36	TC+ h	4800-08	1090	RakJIC 4521-10-08	90° JIC 4527-10-08	2610-08	1
015886-35	TC- h	4800-08	1060	RakJIC 4521-10-08	90° JIC 4527-10-08	2610-08	1
015886-34	MT m	4700-12	930	RakJIC 4521-12-12	90° JIC 4527-12-12	4710-12	1
015886-33	MP m	4700-12	960	RakJIC 4521-12-12	90° JIC 4527-12-12	4710-12	1
015886-32	BC + m	4800-08	1020	RakJIC 4521-10-08	90° JIC 4527-10-08	2610-08	1
015886-31	BC - m	4800-08	990	RakJIC 4521-10-08	90° JIC 4527-10-08	2610-08	1
015886-30	TC+ m	4800-08	1020	RakJIC 4521-10-08	90° JIC 4527-10-08	2610-08	1
015886-29	TC- m	4800-08	1050	RakJIC 4521-10-08	90° JIC 4527-10-08	2610-08	1
015886-28	MT v	4700-12	880	RakJIC 4521-12-12	90° JIC 4527-12-12	4710-12	1
015886-27	MP v	4700-12	910	RakJIC 4521-12-12	90° JIC 4527-12-12	4710-12	1
015886-26	BC + v	4800-08	1020	RakJIC 4521-10-08	90° JIC 4527-10-08	2610-08	1
015886-25	BC- v	4800-08	990	RakJIC 4521-10-08	90° JIC 4527-10-08	2610-08	1
015886-24	TC+ v	4800-08	990	RakJIC 4521-10-08	90° JIC 4527-10-08	2610-08	1
015886-23	TC- v	4800-08	1020	RakJIC 4521-10-08	90° JIC 4527-10-08	2610-08	1
015886-22	GL h	5940-08	1760	RakJIC 4521-10-08	-	4710-08	1
015886-21	GL v+m	5940-12	1800	RakJIC 4521-12-12	-	4710-12	1
015886-20	Smörjning LMC+ h	4800-04	1040	RakJIC 4521-04-04	Banjo 4550-02-04	2610-04	1
015886-19	Smörjning LMC+ m	4800-04	400	RakJIC 4521-04-04	Banjo 4550-02-04	2610-04	1
015886-18	Smörjning LMC+ v	4800-04	400	RakJIC 4521-04-04	Banjo 4550-02-04	2610-04	1
015886-17	LMC+ h	5940-12	2000	RakJIC 4521-12-12	90° JIC 4527-12-12	4710-12	1
015886-16	LMC- h	5940-12	1800	RakJIC 4521-12-12	90° JIC 4527-12-12	4710-12	1
015886-15	LMC+ m	5940-12	2000	RakJIC 4521-12-12	90° JIC 4527-12-12	4710-12	1
015886-14	LMC- m	5940-12	1700	RakJIC 4521-12-12	90° JIC 4527-12-12	4710-12	1
015886-13	LMC+ v	5940-12	2000	RakJIC 4521-12-12	90° JIC 4527-12-12	4710-12	1
015886-12	LMC- v	5940-12	1700	RakJIC 4521-12-12	90° JIC 4527-12-12	4710-12	1
015886-11	LS ventilpaket-ventilpaket	4800-04	900	RakJIC 4521-06-04	90° JIC 4527-06-04	2610-04	1
015886-10	LS ventilpaket-skott	4800-04	1040	RakJIC 4521-06-04	90° JIC 4527-06-04	2610-04	1
015886-9	D h-m	4800-08	240	RakJIC 4521-10-08	90° JIC 4527-10-08	2610-08	1
015886-8	D v-m	4800-08	110	RakJIC 4521-10-08	90° JIC 4527-10-08	2610-08	1
015886-7	D v-filter	4800-08	1670	RakJIC 4521-10-08	90° JIC 4527-10-08	2610-08	1
015886-6	D filter-skott	4800-08	910	RakJIC 4521-10-08	RakJIC 4521-10-08	2610-08	1
015886-5	T ventilpaket-ventilpaket	4800-12	1040	RakJIC 4521-12-12	90° JIC 4527-12-12	4710-12	1
015886-4	T ventilpaket-skott	4800-16	1260	RakJIC 4521-16-16	90° JIC 4527-16-16	2610-16	1
015886-3	P ventilpaket-skott	4800-12	605	RakJIC 4521-12-12	90° JIC 4527-12-12	4710-12	1
015886-2	P ventilpaket-skott	4800-12	660	RakJIC 4521-12-12	90° JIC 4527-12-12	4710-12	1
015886-1							0
Part number	Name	Hose type	Cut length (mm)	Coupling 1 Manuli	Coupling 2 Manuli	Collar Manuli	Quantity

	<b>T35.b</b> <b>Reservdelar / Spare parts</b>	T35b_G13	190220
		<b>Grupp Sida</b>	<b>13 45</b>

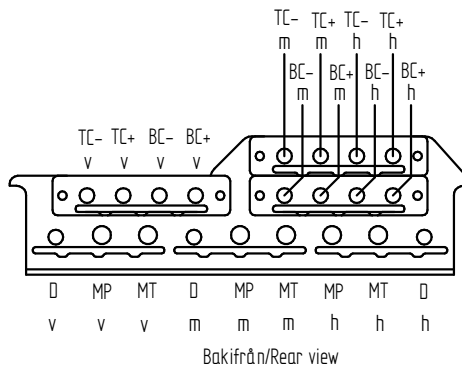
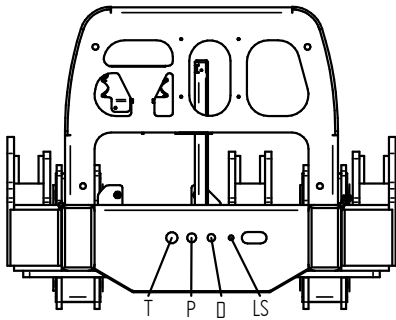


	A	B
LMC h	16	17
LMC v	12	13
TC v	24	23
BC v	26	25
M m	34	33
M v	28	27
P	2	-
T	5	-
LS	11	-

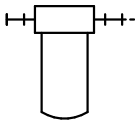
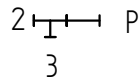


	A	B
LX	11	-
LMC m	14	15
TC h	36	35
TC m	30	29
BC h	38	37
BC m	32	31
Mh	40	39
P	3	-
T	4,5	-
LS	10	-

T	4
P	1
D	6
LS	10

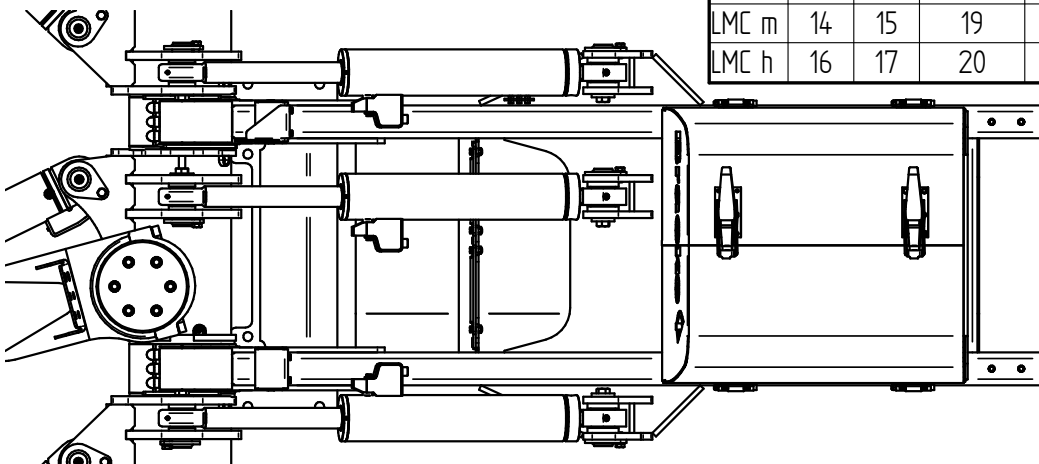


TC- v	23
TC+ v	24
BC- v	25
BC+ v	26
D v	7,8
MP v	27
MT v	28
TC- m	29
TC+ m	30
BC- m	31
BC+ m	32
D m	8,9
MP m	33
MT m	34
TC- h	35
TC+ h	36
BC- h	37
BC+ h	38
D h	9
MP h	39
MT h	40



	In	Ut
D	7	6

	-	+	Smörjstang +	GL	LH EL
LMC v	12	13	18	21	41
LMC m	14	15	19	-	42
LMC h	16	17	20	22	43



# T35.b

Reservdelar / Spare parts

T35b\_G13

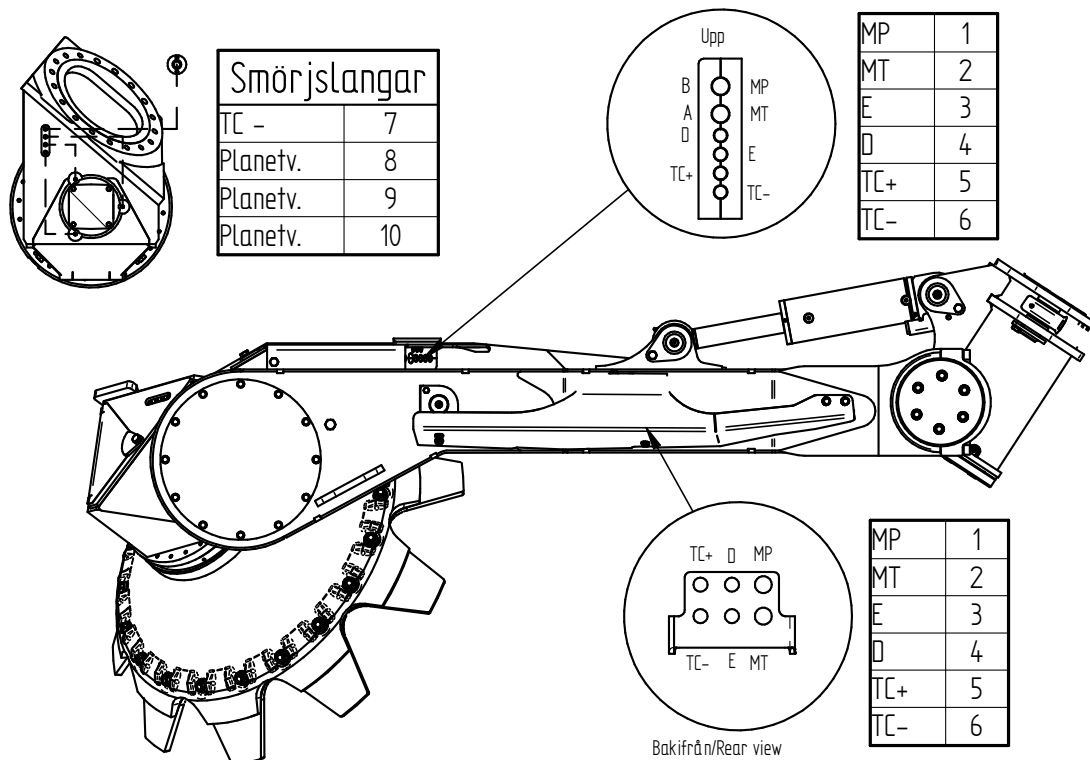
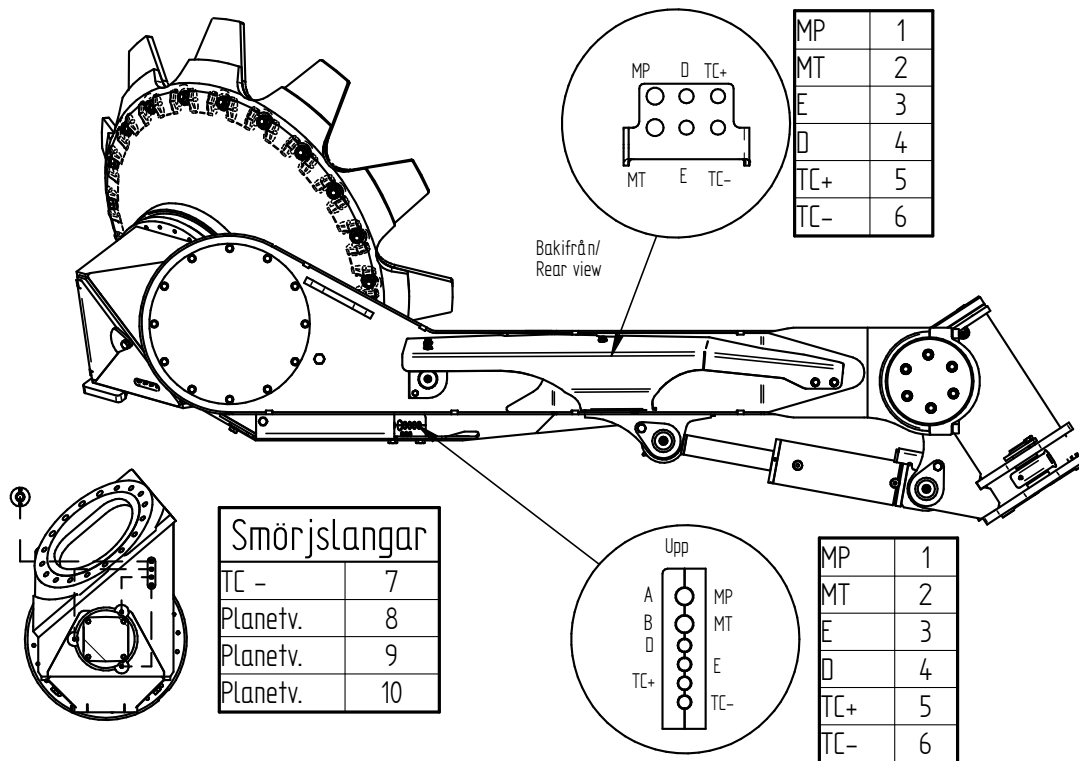
190220

**Grupp** 13  
**Sida** 46

## Slangats Ytterarmar/Hose kit Outer arms 015883

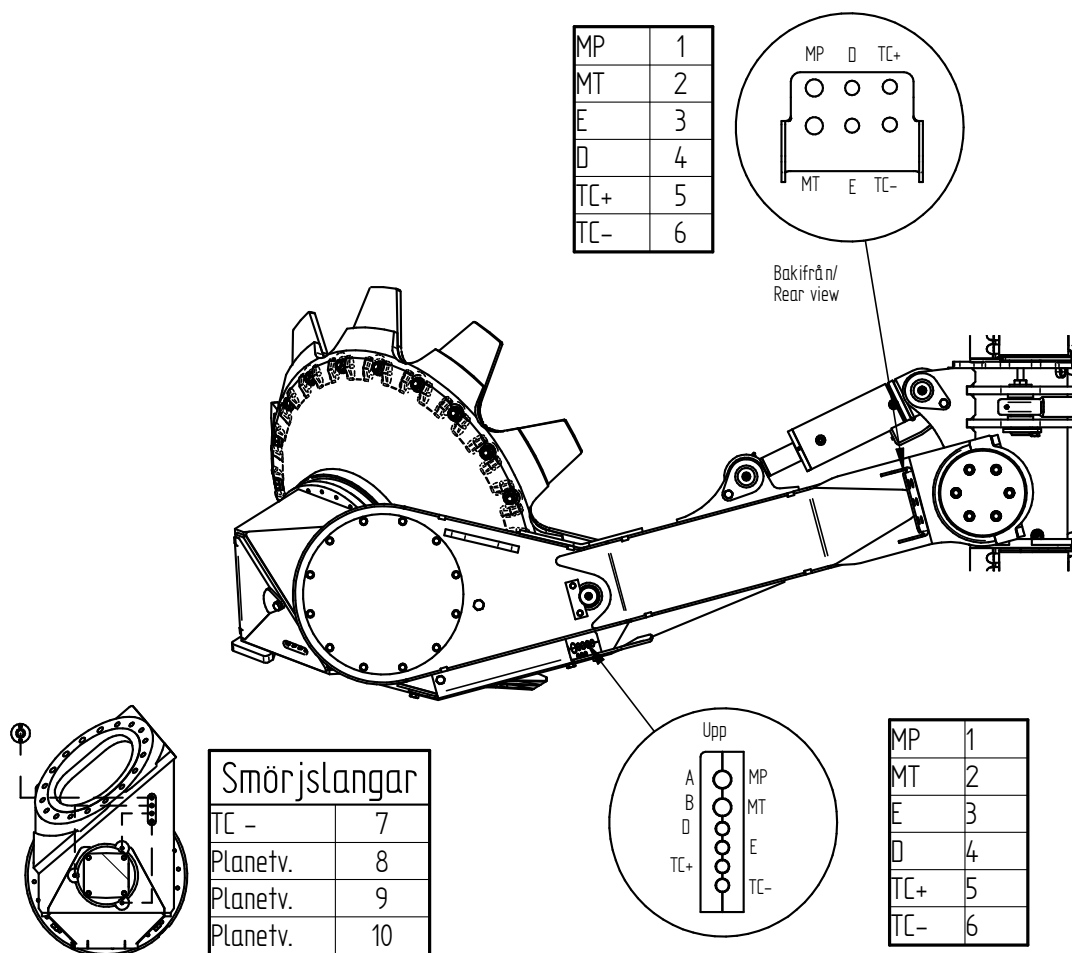
015883-10	Smörjslang planetväxel	4800-04	495	RakJIC 4521-04-04	90°JIC 4527-04-04	2610-04	1
015883-9	Smörjslang planetväxel	4800-04	445	RakJIC 4521-04-04	90°JIC 4527-04-04	2610-04	1
015883-8	Smörjslang planetväxel	4800-04	695	RakJIC 4521-04-04	90°JIC 4527-04-04	2610-04	1
015883-7	Smörjslang TC-	4800-04	1045	RakJIC 4521-04-04	90°JIC 4527-04-04	2610-04	1
015883-6	TC- v&h	5940-08	1470	RakJIC 4521-10-08	45°JIC 4528-10-08	4710-08	1
015883-5	TC + v&h	5940-08	1420	RakJIC 4521-10-08	Banjo 4550-08-08	4710-08	1
015883-4	D v&h	5940-08	2000	RakJIC 4521-10-08	RakJIC 4521-08-08	4710-08	1
015883-3	E v&h	5940-08	1100	RakJIC 4521-10-08	-	4710-08	1
015883-2	MT v&h	5940-12	1900	RakJIC 4521-12-12	90°JIC 4527-12-12	4710-12	1
015883-1	MP v&h	5940-12	1900	RakJIC 4521-12-12	90°JIC 4527-12-12	4710-12	1
Part number	Name	Hose type	Cut length (mm)	Coupling 1 Manuli	Coupling 2 Manuli	Collar Manuli	Quantity


	<b>T35.b</b> <b>Reservdelar / Spare parts</b>	T35b_G13	190220
		<b>Grupp</b> <b>Sida</b>	<b>13</b> <b>47</b>



## Slangats Mittt/Hose kit middle arm 015884

015884-10	Smörjslang planetväxel	4800-04	495	RakJIC 4521-04-04	90°JIC 4527-04-04	2610-04	1
015884-9	Smörjslang planetväxel	4800-04	445	RakJIC 4521-04-04	90°JIC 4527-04-04	2610-04	1
015884-8	Smörjslang planetväxel	4800-04	695	RakJIC 4521-04-04	90°JIC 4527-04-04	2610-04	1
015884-7	Smörjslang TC-	4800-04	1045	RakJIC 4521-04-04	90°JIC 4527-04-04	2610-04	1
015884-6	TC- m	5940-08	1850	RakJIC 4521-10-08	45°JIC 4528-10-08	4710-08	1
015884-5	TC + m	5940-08	1900	RakJIC 4521-10-08	Banjo 4550-08-08	4710-08	1
015884-4	D m	5940-08	2450	RakJIC 4521-10-08	RakJIC 4521-08-08	4710-08	1
015884-3	E m	5940-08	1600	RakJIC 4521-10-08	-	4710-08	1
015884-2	MT m	5940-12	2350	RakJIC 4521-12-12	90°JIC 4527-12-12	4710-12	1
015884-1	MP m	5940-12	2350	RakJIC 4521-12-12	90°JIC 4527-12-12	4710-12	1
Part number	Name	Hose type	Cut length (mm)	Coupling 1 Manuli	Coupling 2 Manuli	Collar Manuli	Quantity



	<h3>T35.b</h3> <p>Reservdelar / Spare parts</p>	T35b_G13	190220
		Grupp Sida	13 49