

# Grupp 11 / Section 11

## Hydraulscheman Hydraulic Schematic

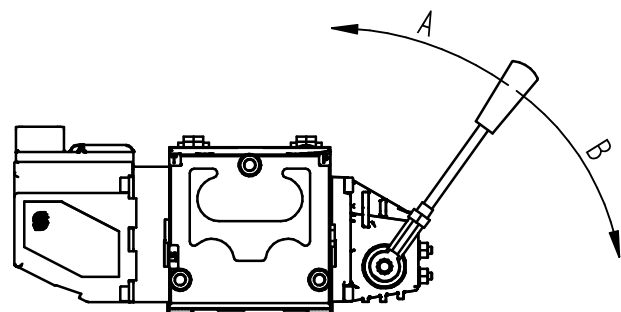
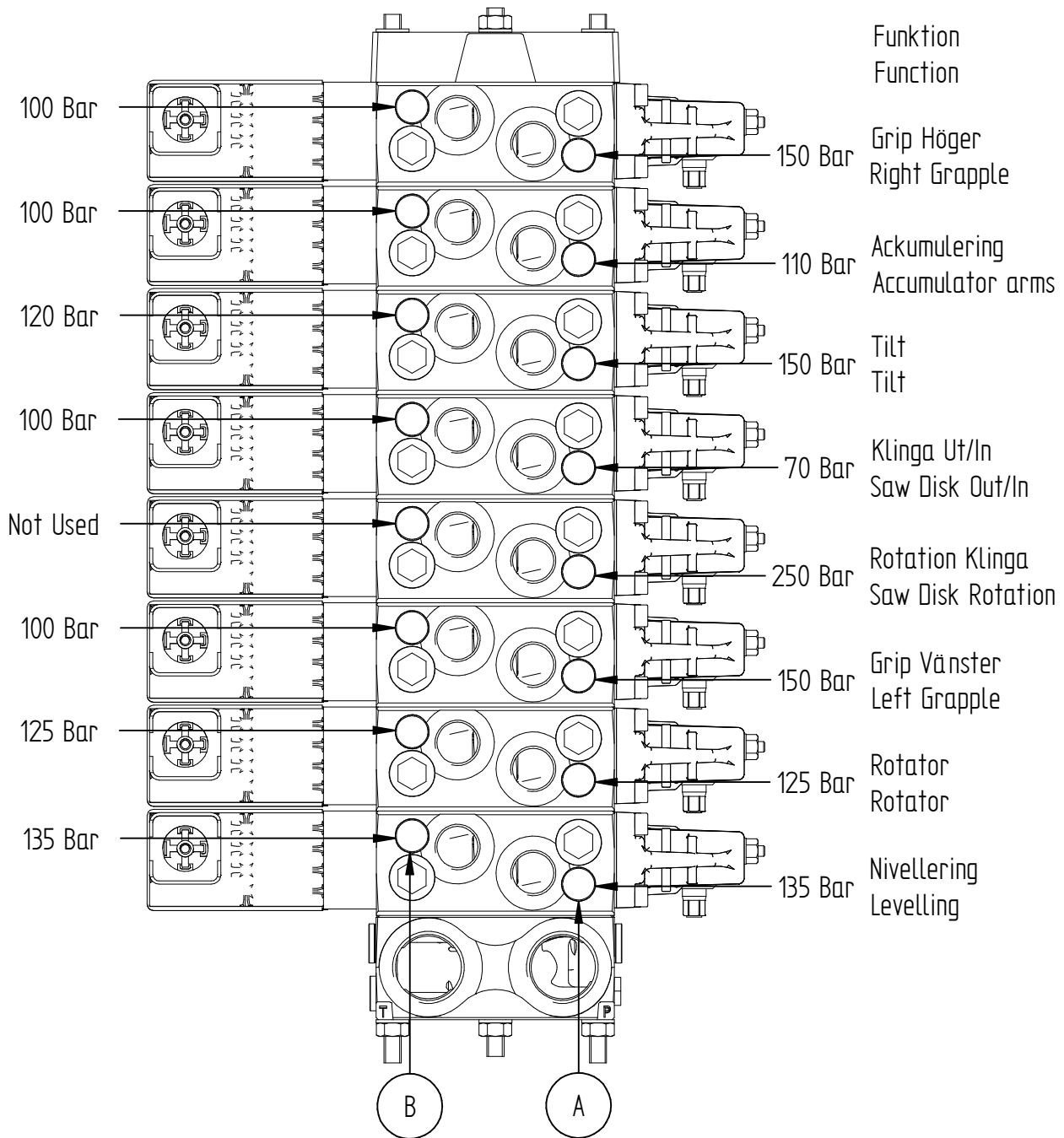
---

### Innehåll / Contents

### Sida / Page

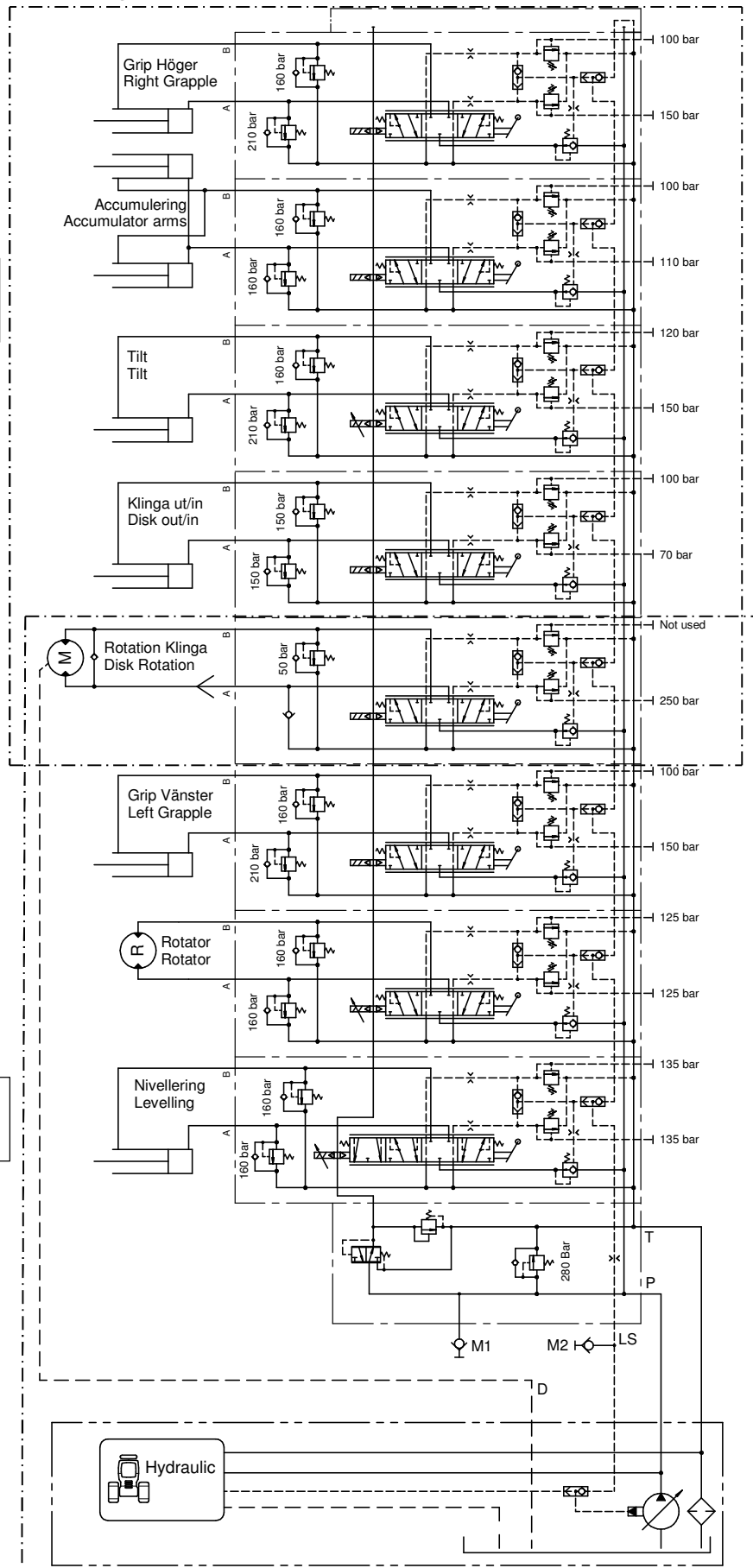
Tryckinställning, LS tryckbegränsning Pressure setting, LS pressure limiting.....	2
Hydraulschema / Hydraulic Schematic .....	3

**Tryckinställning, LS tryckbegränsning**  
**Pressure setting, LS pressure limiting**



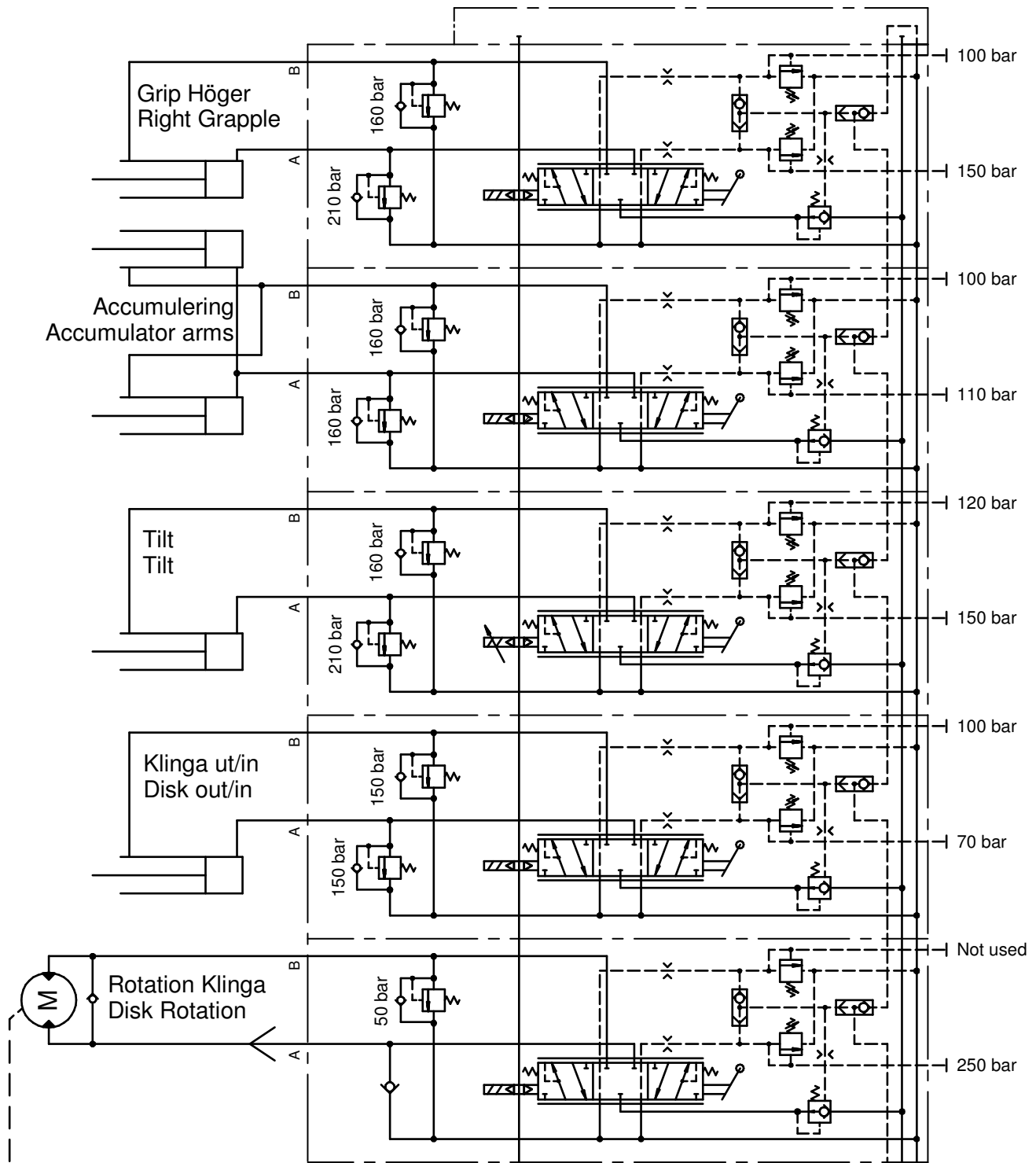
# Hydraulschema / Hydraulic Schematic

Se sidan 4  
See page 4

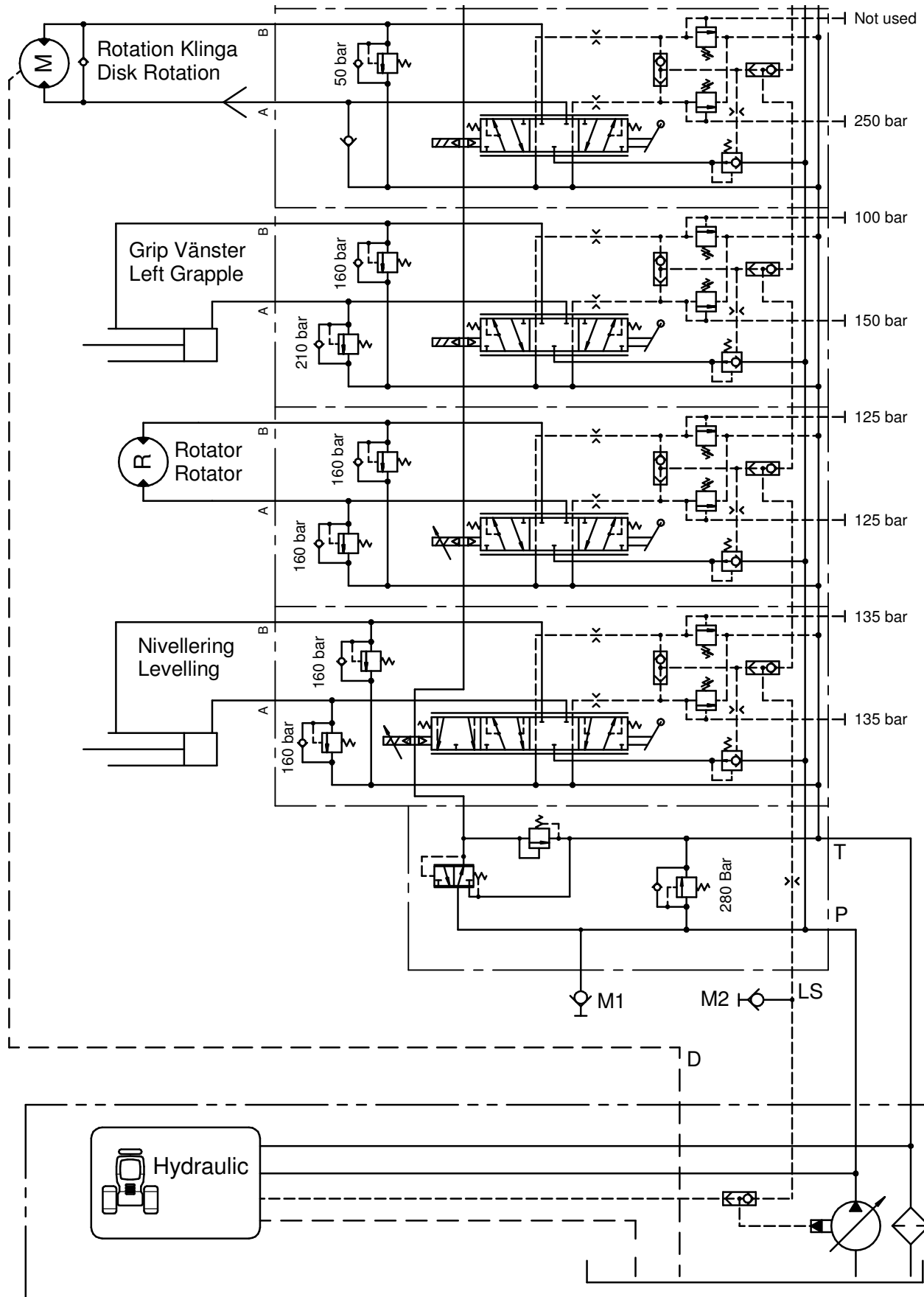


Se sidan 5  
See page 5


# Hydraulschema / Hydraulic Schematic



# Hydraulschema / Hydraulic Schematic



För dina anteckningar / For your notes

	<b>C16</b> Hydraulscheman Hydraulic Schematic	C16_G11	140408
		<b>Grupp / Section</b> 11 <b>Sida / Page</b> 6	

# Grupp 12 / Section 12

## Elscheman / Electrical schematic

---

### Innehåll / Contents

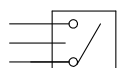
### Sida / Page

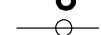
Symboler och förkortningar / Symbols and abbreviations .....	2
Spänningsmatningskabel / Power supply cable 091109.....	3
Cab-PLC kabel / Cab-PLC cable C55606.....	3
CAN-kabel hytt / CAN cable cab C55225 .....	4
Spakkabel Vänster / Joystick cable Left C55269.....	4
Spakkabel Höger / Joystick cable Right C55270 .....	5
Minispakarsats / Mini Levers C55969/C55472.....	5
Dörrbrytare/pålastning kabel / Door switch/pump cable C55271 .....	6
CAN-kabel aggregat / CAN cable attachment C55810.....	6
Cablåda / Cab box .....	7
Maskinlåda Danfoss / Machine box, Danfoss .....	8
Maskinlåda Technion / Machine box, Technion .....	9

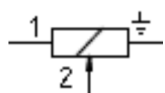
## Symboler och förkortningar / Symbols and abbreviations

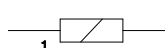
**B-1** ← Kontakttyp och stiftnr. / Plug type and pin No

 Säkring / Fuse  
**S1**

 Induktiv givare / Inductive sensor

**8**  
 Plintbeteckning / Terminal block

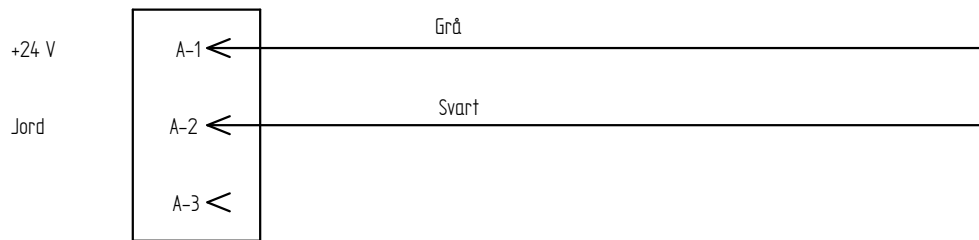
 Proportionalventil / Proportional valve

 On/off ventil / On/off valve

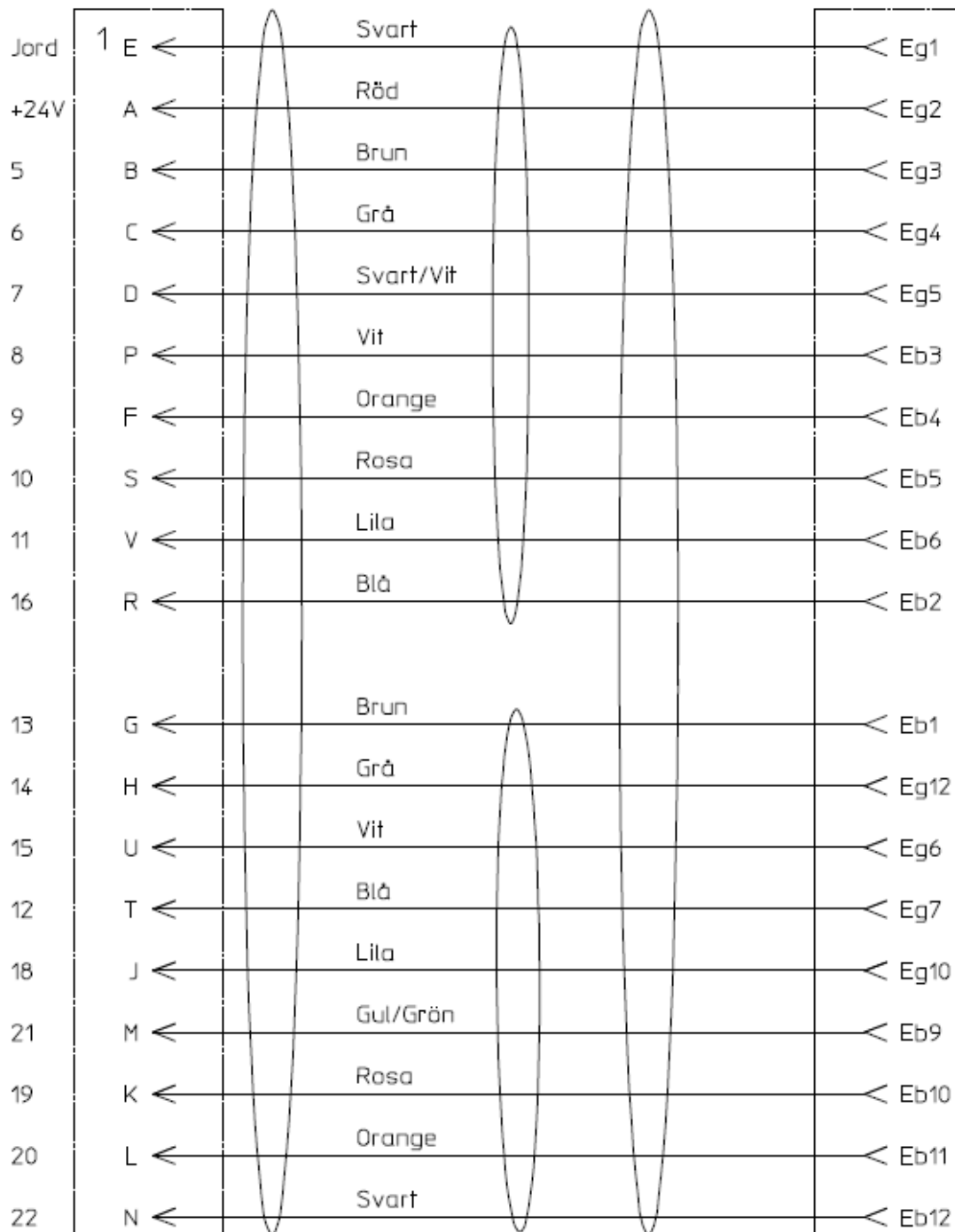
 Omkopplare / Switch



## Spänningsmatningskabel / Power supply cable 091109



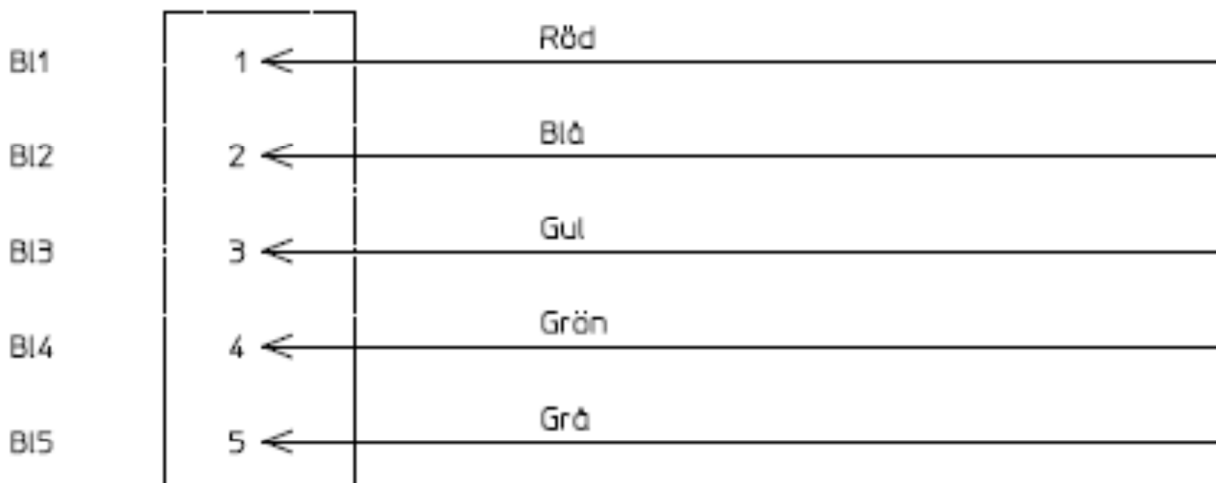
## Cab-PLC kabel / Cab-PLC cable C55606



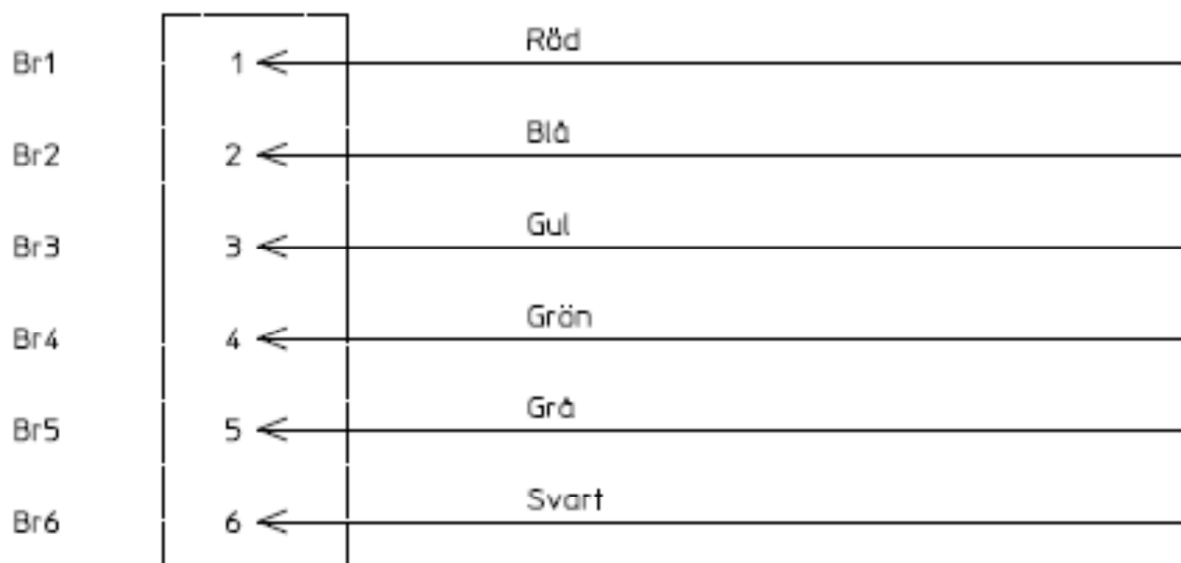
## CAN-kabel hytt / CAN cable cab C55225



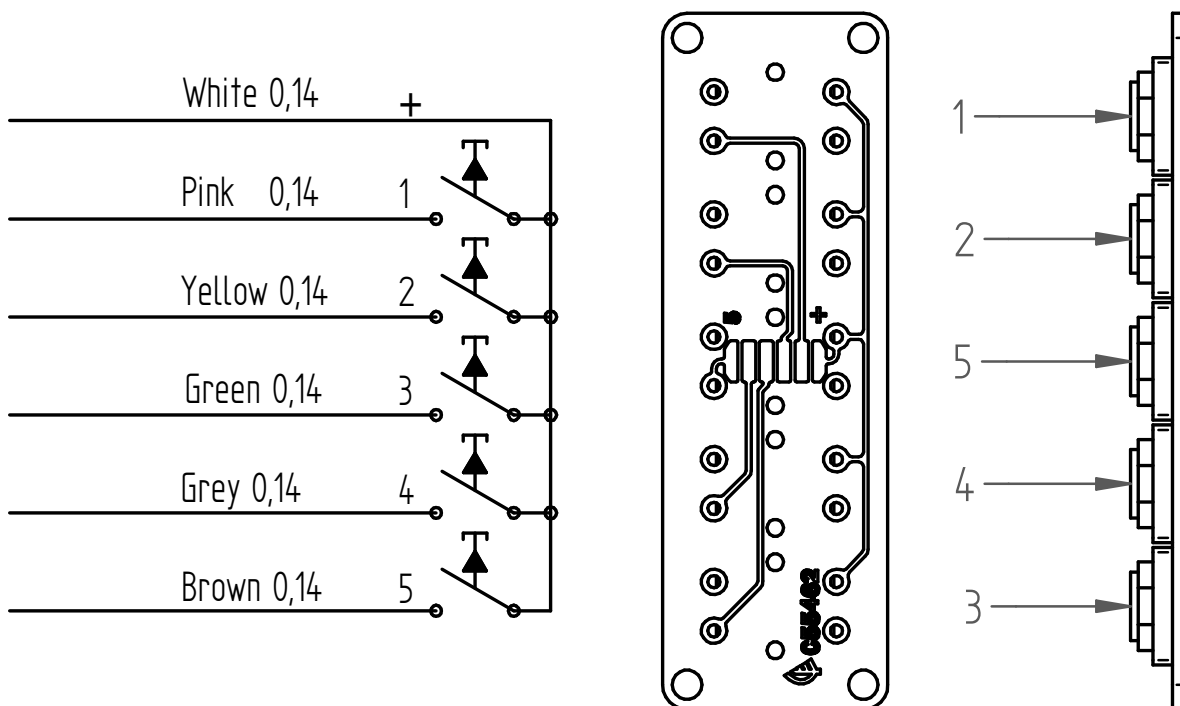
## Spakkabel Vä / Joystick cable Left C55269



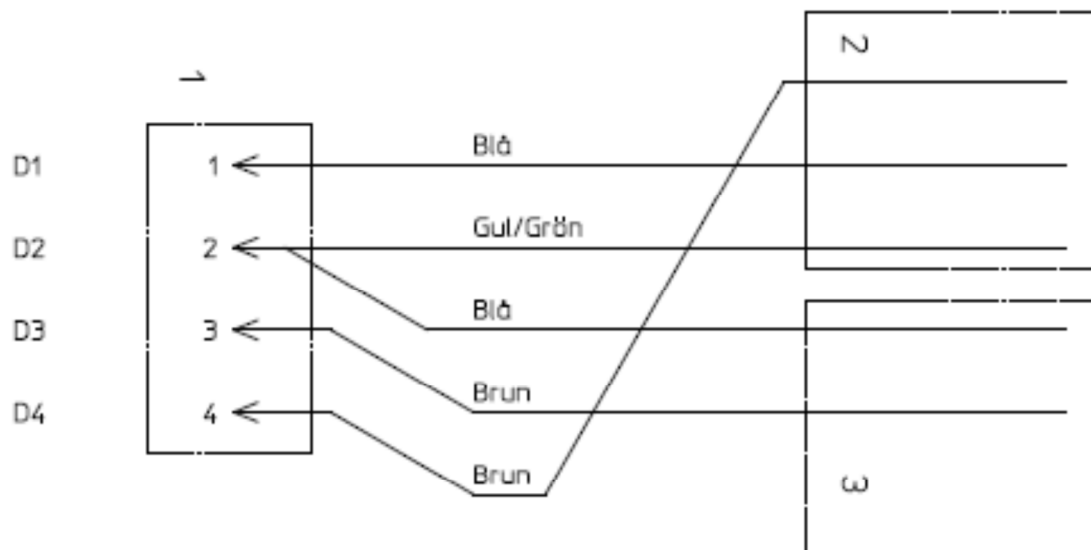
## Spakkabel Hö / Joystick cable Right C55270



## Minispakarsats / Mini Levers C55969/C55472



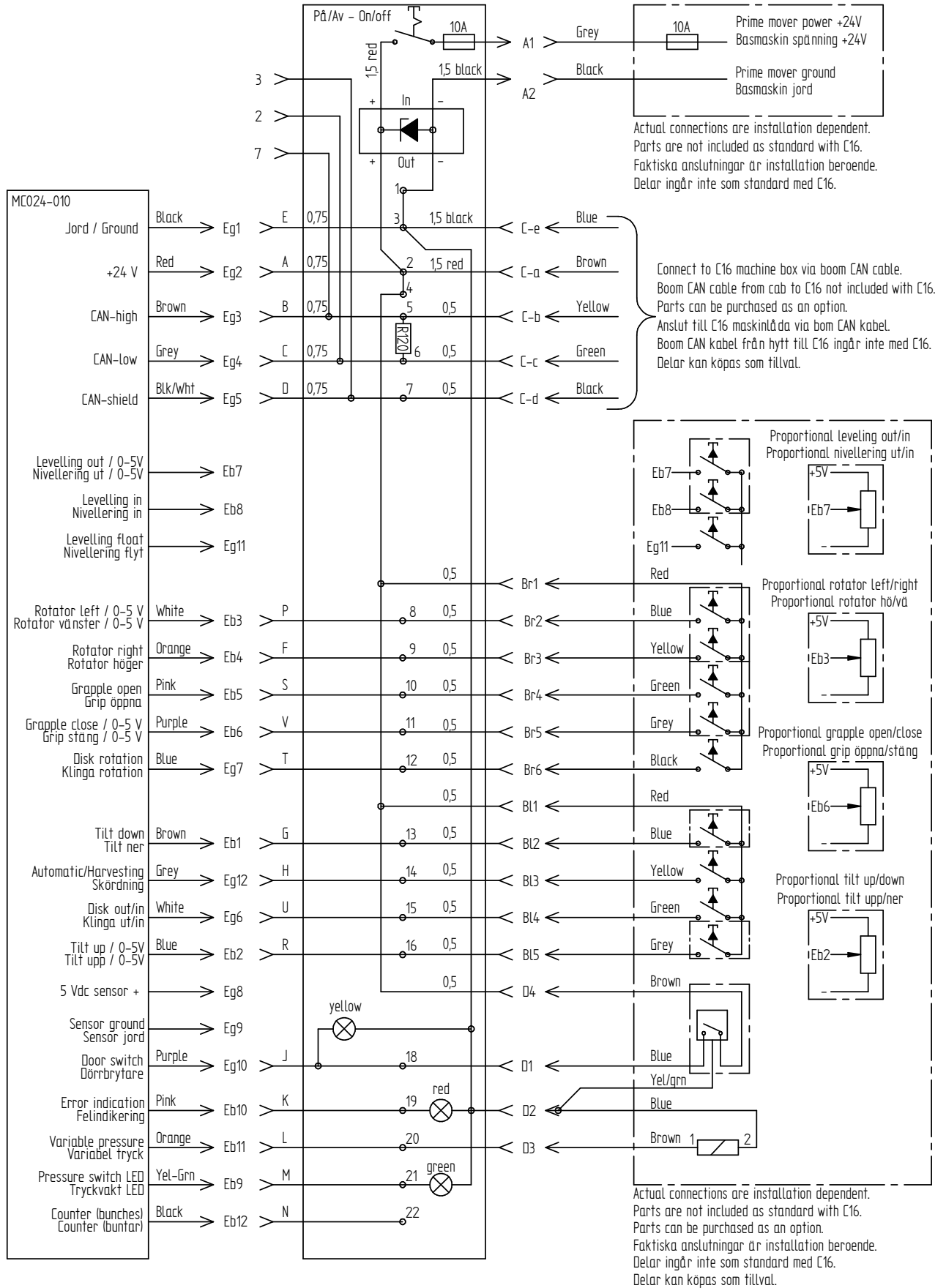
## Dörrbrytare/pålastning kabel / Door switch/pump cable C55271



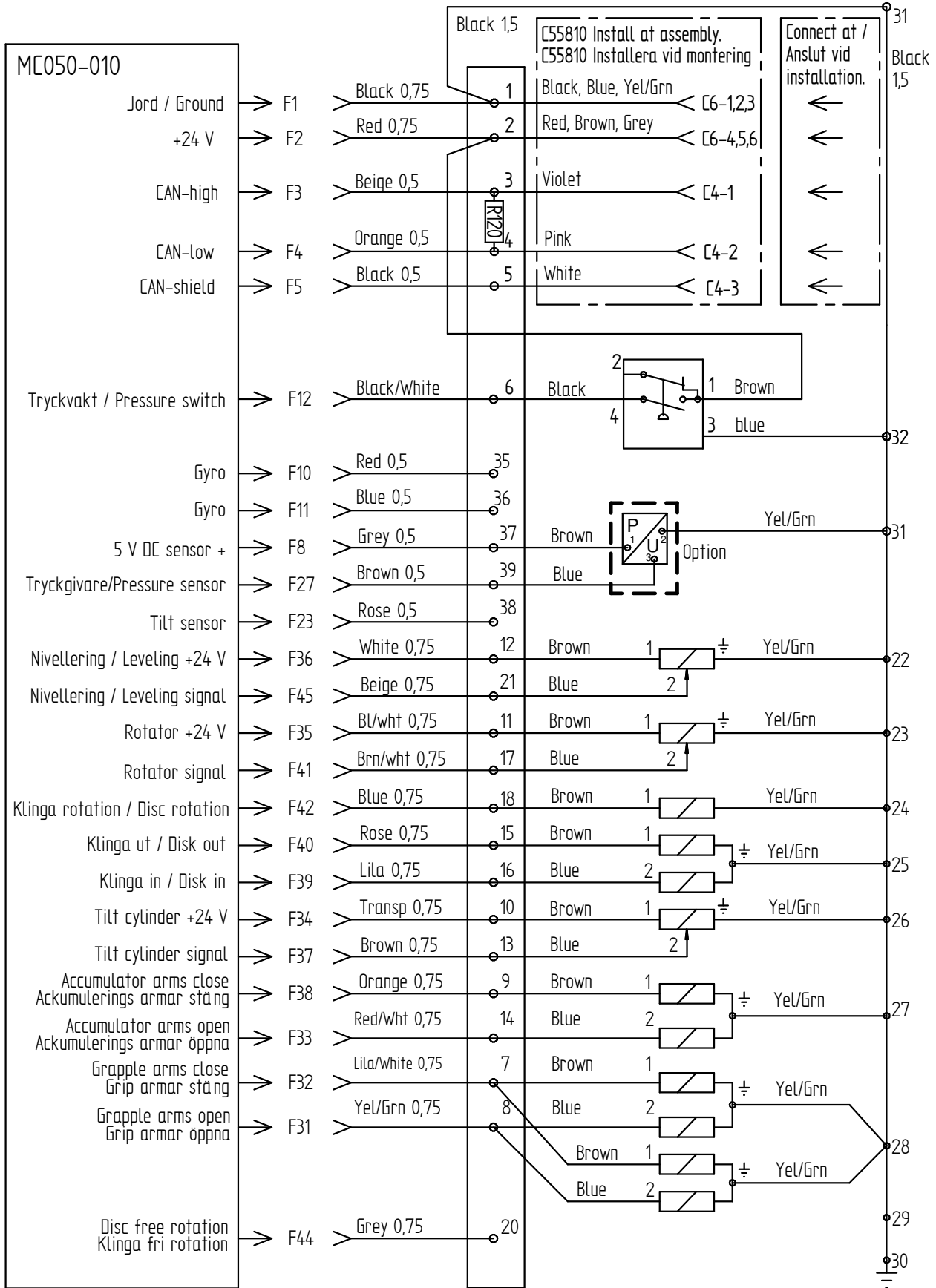
## CAN-kabel aggregat / CAN cable attachment C55810

<b>800995</b>	<b>801006</b>
Svart	1
Blå	2
Gul/Grön	3
Röd	4
Brun	5
Grå	6
	<b>801005</b>
Violett	1
Rosa	2
Vit	3

# Cablåda / Cab box

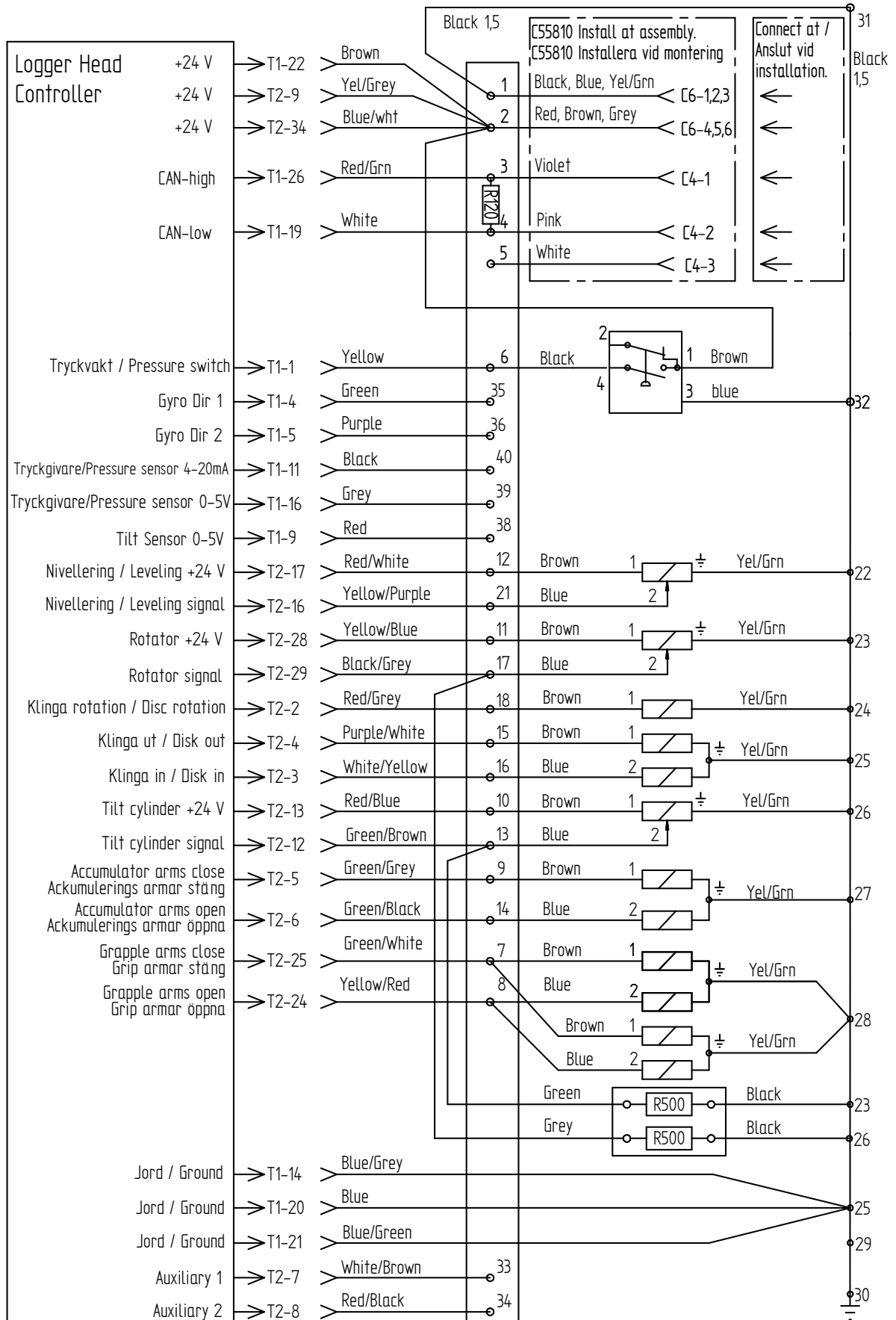


# Maskinlåda Danfoss / Machine box, Danfoss




C55825\_B

# Maskinlåda Technion / Machine box, Technion



C55824\_B

För dina anteckningar / For your notes

	<b>C16</b> Elscheman Electrical schematics	C16_G12	140408
		<b>Grupp / Section</b> 12 <b>Sida / Page</b> 10	



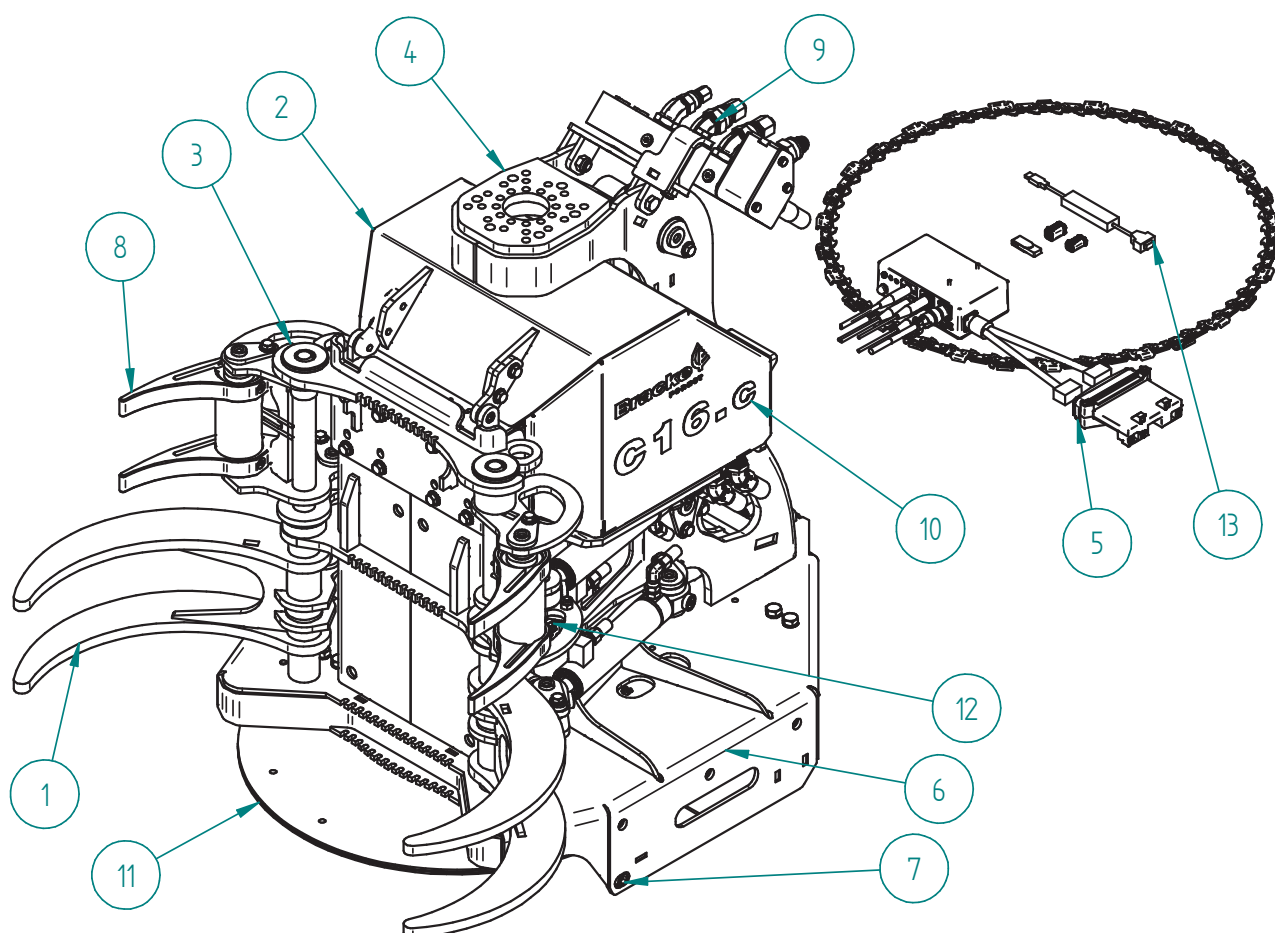
# Grupp 13 / Section 13

## RESERVDELAR / SPARE PARTS

<b>Innehåll / Contents</b>	<b>Sida / page</b>
C16 Chassi / Frame .....	2
Bottenplatta SMST / Bottom plate assy. ....	3
Sågenhet SMST, 56cc kolv motor / Saw unit assy., 56cc piston motor.....	4
Släde med axel / Carriage with axle .....	6
Hydraulmotor SMST, 56cc Kolv / Hydraulic motor assy., 56cc piston .....	7
Nippelsats, Kolv motor / Adapter kit, piston motor.....	8
Nedre Grip SMST / Lower Grapple Assy.....	9
Övre grip SMST / Accumulating Arms Assembly .....	10
Griparmsfäste, SMST / Accumulator Arm Bracket Assy.....	12
Ventilblocksåpa SMST / Valve Cover Assembly.....	13
Tiltram SMST / Tilt Link Assembly .....	14
Styrssystem, Danfoss / Control System, Danfoss .....	16
Styrssystem, Technion / Control System, Technion .....	18
Dekalsats / Decal kit .....	19
C16 Skylt SMST / C16 Label Assembly .....	20
Leveranskit, C16 / Delivery Kit.....	21
Hydraulik Struktur / Hydraulic System .....	22
Ventilpaket SMST / Valve Assembly.....	26
Nippelsats, ventilpaket / Adapter kit, valve .....	27
Valve SMST, 8 sektioner / Valve assy., 8 sections .....	28
Slangsats / Hose Kit .....	30
Slangsats / Hose Kit .....	32
Nippelsats, chassi / Adapter kit, frame .....	34
Nippelsats, skarvblock / Adapter kit, connection block.....	36
Rotatorsats H101 / Rotator kit, H101.....	37
Rotatorsats H122 / Rotator kit, H122.....	38
Rotator styrning från C16 mont. sats / Rotator control from C16 inst. kit .....	39
Nippelsats, rotator / Adapter kit, rotator.....	40
Slangsats, rotator / Hose kit, rotator.....	41
Nivellering SMST / Levelling Assembly.....	42
Nivelleringsats / Levelling kit.....	43
Nippelsats, Nivellering / Adapter kit, Levelling .....	44
Slangsats, Nivellering / Hose kit, Levelling .....	45
Vridjonsats / Rotary Actuator kit .....	46
Nippelsats, Vridjon / Adapter kit, Rotary Actuator .....	47
Slangsats, Vridjon / Hose kit, Rotary Actuator .....	48
Lutningsgivare SMST / Levelling Sensor kit .....	49
Minispakarsats, 5 knapp / Mini Levers, 5 buttons .....	50
Knappsats, 4 knapp / Button kit, 4 buttons.....	50
Spakar, bandgrävare / Levers, tracked excavator .....	51
Spakar, hjulgrävare / Levers, wheeled excavator .....	52
Kedjeshottskydd / Chain shot protection.....	53
C55146: Sågcylinder, C16 / Cutting cylinder .....	54
C55114: Cylinder 50/25x170 .....	55
C55920: Cylinder 80/40x160 (C16.c, C16.b).....	56
C55105: Cylinder 80/40x160 (C16.a, C16.b).....	56

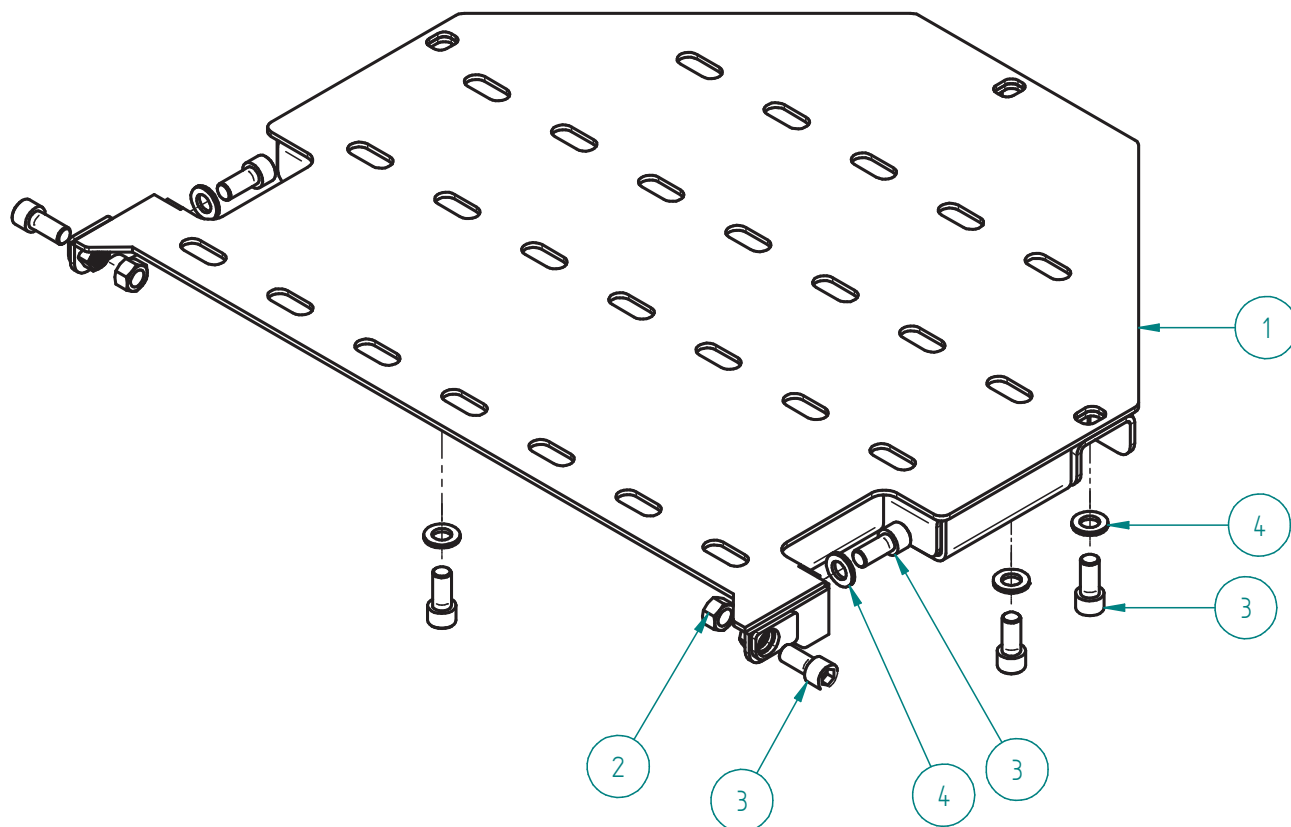
## C16 Chassi / Frame

Pos. Item	Antal Qty	Reservdelsnummer Part Number	Benämning	Name
1	1	C55035	Nedre grip SMST	Lower Grapple assy.
2	1	C55080	Ventilblockskåpa SMST	Valve Cover Assembly
3	1	C55087	Griparmsfäste, SMST	Accumulator Arm Bracket
4	1	C55091	Tiltram SMST	Tilt Link Assembly
5	1	C55222	El och Styrsystem C16	Electrical and Control System
6	1	C55560	Chassi	Frame
7	1	C55600	Bottenplatta SMST	Bottom plate assembly
8	1	C55601	Övre grip SMST	Accumulating Arms Assembly
9	1	C55963	Hydraulik struktur	Hydraulic System
10	1	C55974	Dekalsats	Decal Kit
11	1	C56008	Sågenhet SMST, 56cc kolv motor	Saw Unit Assy., 56cc Piston
12	1	C56049	C16 Skylt SMST	C16 Label Assembly
13	1	C56050	Leveranskit, C16	Delivery Kit



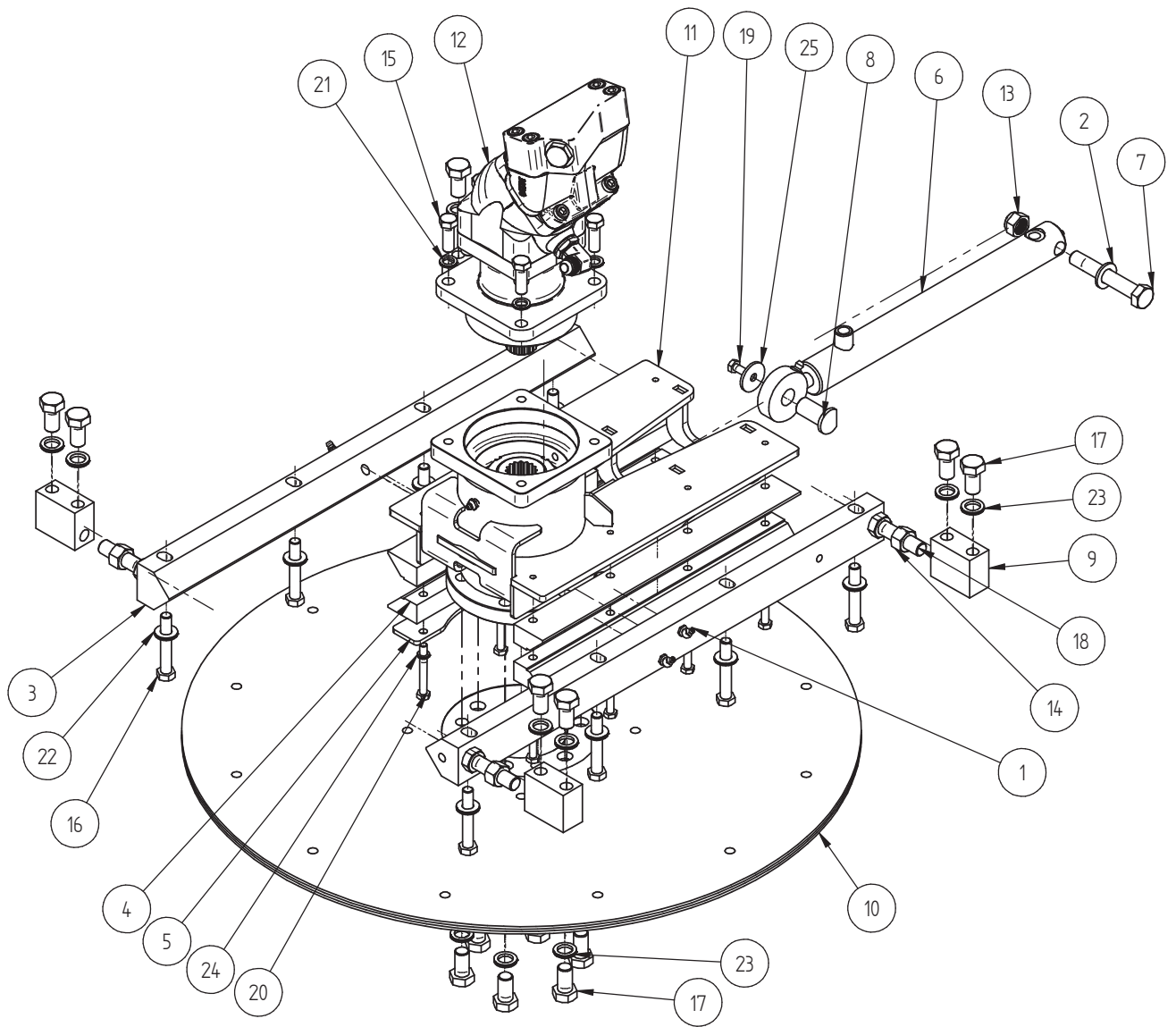
## Bottenplatta SMST / Bottom plate assy.

Pos. Item	Antal Qty	Reservdelsnummer Part Number	Benämning	Name
1	1	C55836	Bottenplatta	Bottom plate
2	2	M6M16	Mutter	Nut
3	7	MC6SM16X35B	Insexskruv, 12.9	Socket head screw
4	5	NLM16SYD	Nordlock M 16, stor Y.D.	Lockwasher, M16, large O.D.



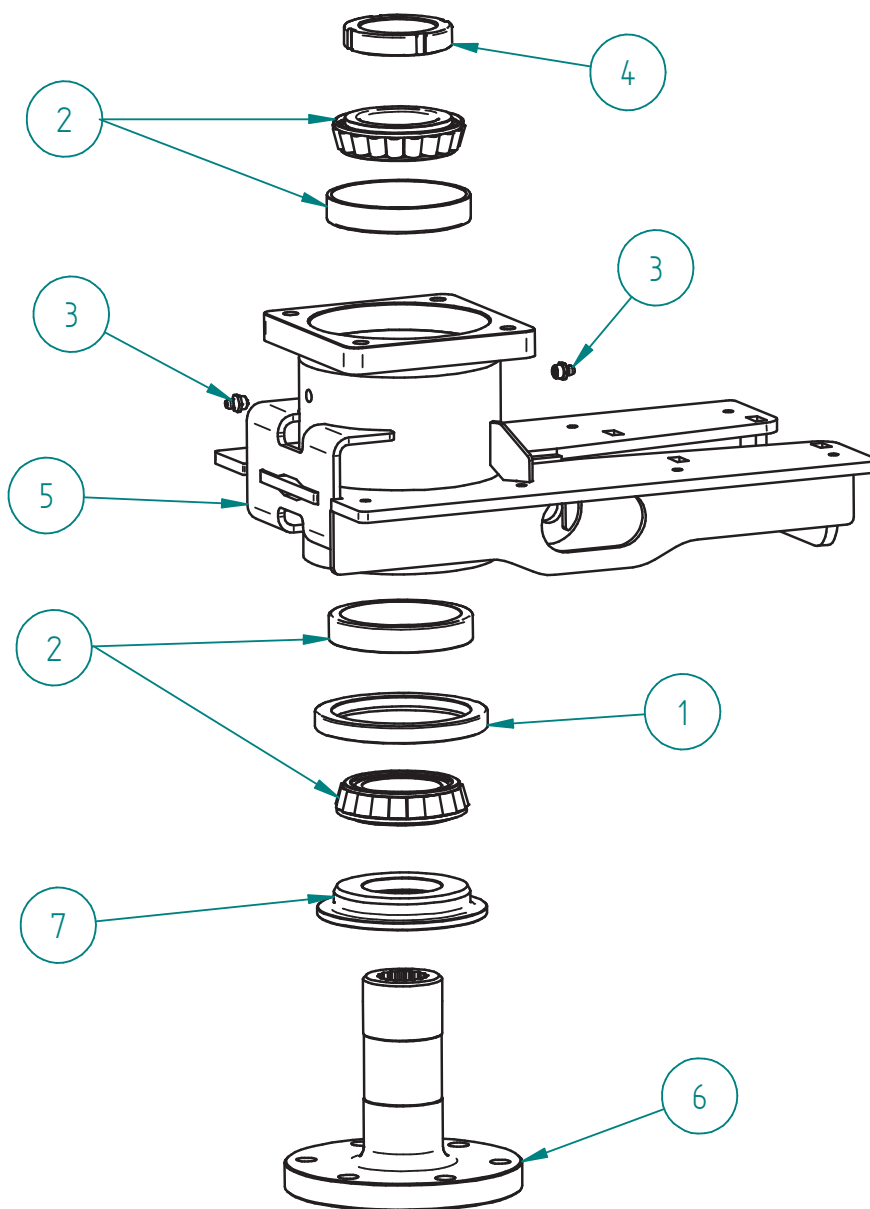
## Sågenhet SMST, 56cc kolv motor / Saw unit assy., 56cc piston motor

Pos.	Antal	Reservdelsnummer	Benämning	Name
Item	Qty	Part Number		
1	4	800008	Smörjnippel KR 1/8 45°	Grease fitting, 45°
2	1	BRB17	Planbricka, 5/8" Fzb	Flatwasher
3	2	C55027	Gejder	Rail
4	4	C55028	Glidlager	Slide bearing
5	2	C55029	Plåt, Glidlagring	Plate, slide bearing
6	1	C55146	Sågcyylinder C16	Cutting cylinder
7	1	C55202	Tapp, D=16 L=102	Pin, D=16 L=102
8	1	C55203	Tapp, d=20, l=44	Pin, d=20, l=44
9	4	C55555	Spännblock	Tensioning block
10	1	C55913	Kedjeskiva 10mm	Saw blade 10mm
11	1	C56009	Släde med axel	Carriage with axle
12	1	C56039	Hydraulmotor SMST, 56cc kolv	Hydraulic motor assy., 56cc pis
13	1	LKM16	Loc -king mutter	Locknut M16
14	4	M6M16	Mutter	Nut
15	4	M6SM12x35	Skruv	Bolt
16	8	M6SM12x75	Sexkantsskruv, 8.8 Fzb	Bolt
17	14	M6SM16x30	Skruv	Bolt
18	4	M6SM16x60	Sexkantsskruv, 8.8 Fzb	Bolt
19	1	M6SM8x20	Skruv	Bolt
20	8	M6SM8x65	Sexkantsskruv, 8.8 Fzb	Bolt
21	4	NLM12	Nord-Lock bricka, M12	Lockwasher, M12
22	8	NLM12SYD	Nord-Lock bricka, M12, stor Y.D.	Lockwasher, M12 large O.D.
23	14	NLM16	Nord-Lock bricka, M16	Lockwasher, M16
24	8	NLM8	Nord-Lock bricka, M8	Lockwasher, M8
25	1	SRKB9x35x3	Karosseribricka, Fzb	Flatwasher



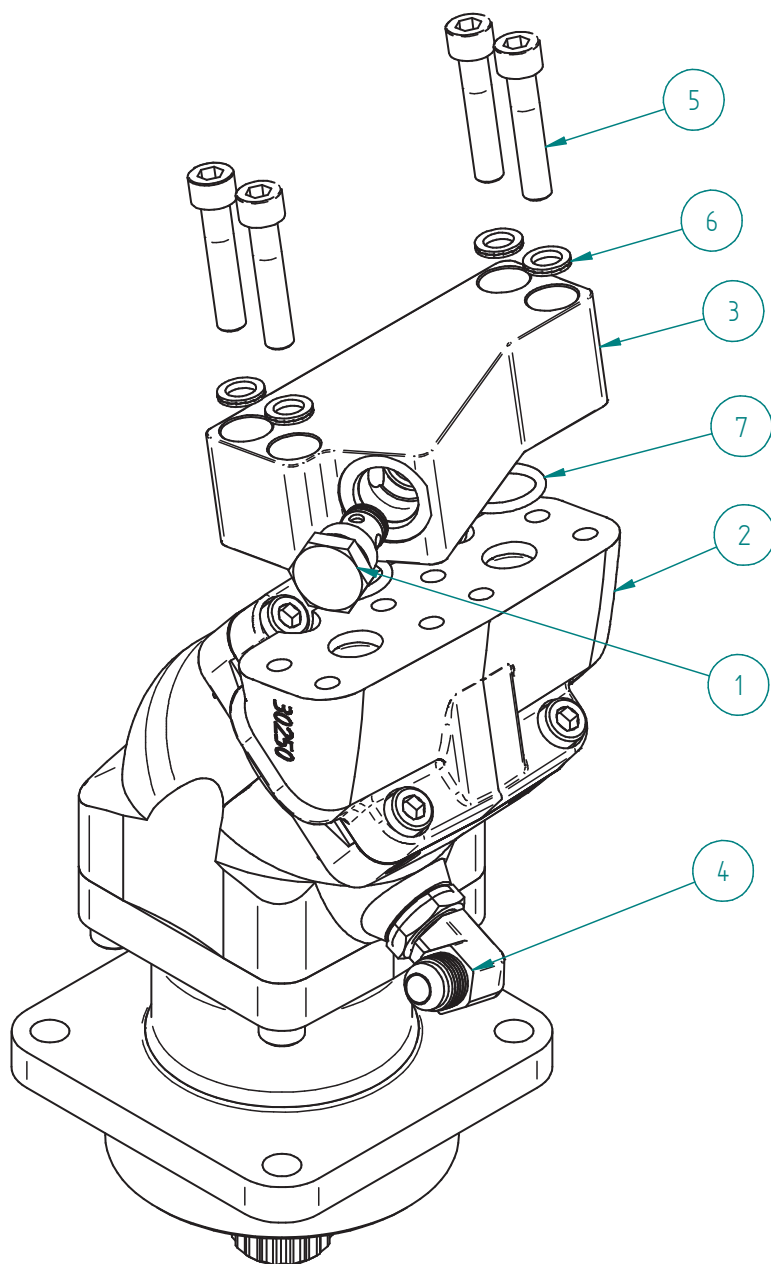
## Släde med axel / Carriage with axle

Pos. Item	Antal Qty	Reservdelsnummer Part Number	Benämning	Name
1	1	500093	Radiell axeltätning 95x120x12	Seal
2	2	700033	Rullager, 55/100	Roller bearing, 55/100
3	2	800007	Smörjnippel KR 1/8 rak	Grease fitting
4	1	801112	KMK låsmutter	KMK locknut
5	1	C56010	Släde	Carriage
6	1	C56014	Axel med splines	Axle with splines
7	1	C56015	Lager distans	Bearing Spacer



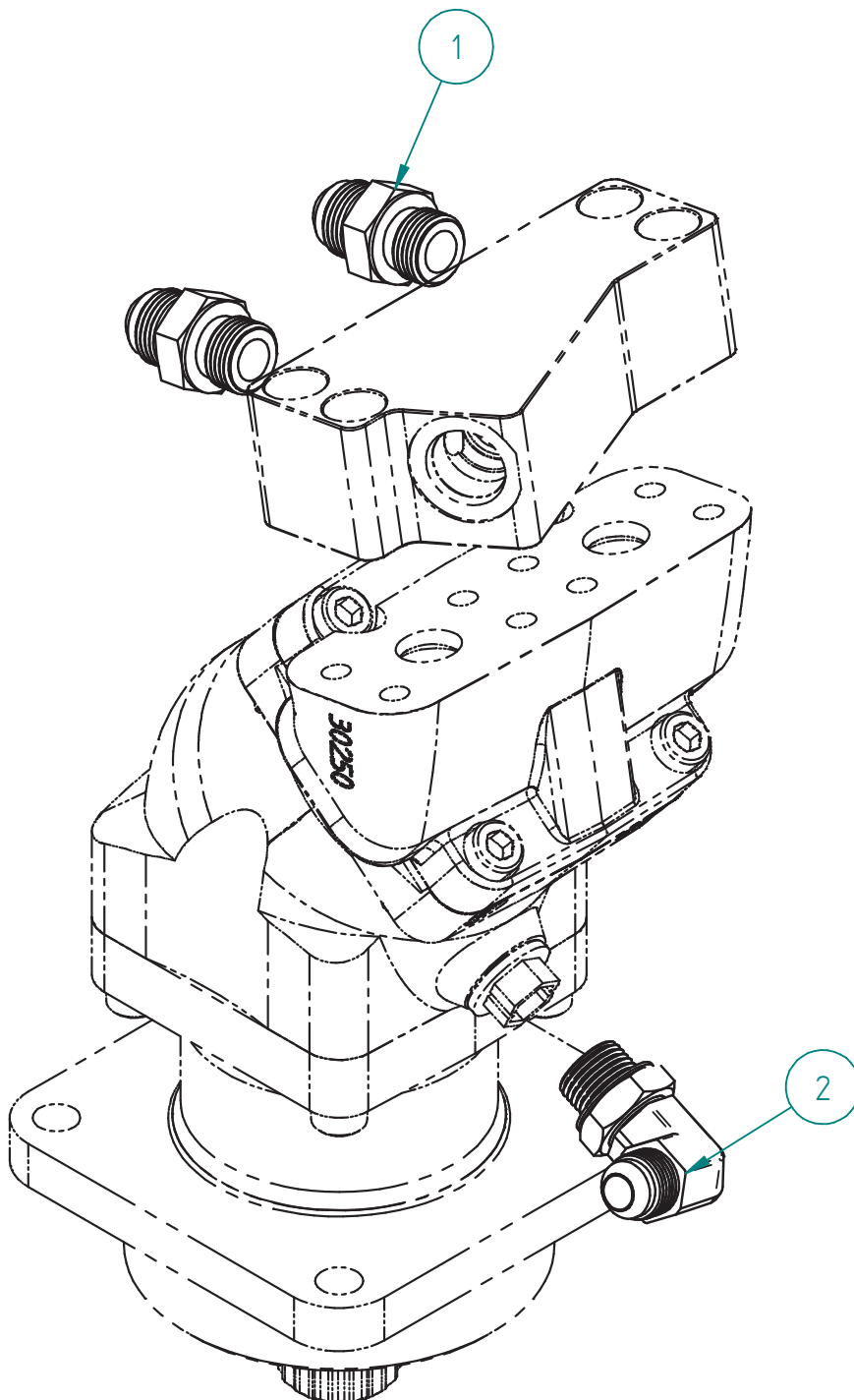
## Hydraulmotor SMST, 56cc Kolv / Hydraulic motor assy., 56cc piston

Pos. Item	Antal Qty	Reservdelsnummer Part Number	Benämning	Name
1	1	600114	Backventil	Check valve
2	1	801224	Hydraulmotor, 56cc kolvmotor	Hydraulic motor, 56cc piston
3	1	C56016	Motoranslutningsblock	Motor connection block
4	1	C56040	Nippelsats, kolv motor	Adapter kit, piston motor
5	4	MC6SM10x50B	Insexskruv, 12.9	Socket head screw
6	4	NLM10	Nord-Lock bricka, M10	Lockwasher, M10
7	2	R24.99X3.53	O-Ring, N/90	O-Ring



## Nippelsats, Kolv motor / Adapter kit, piston motor

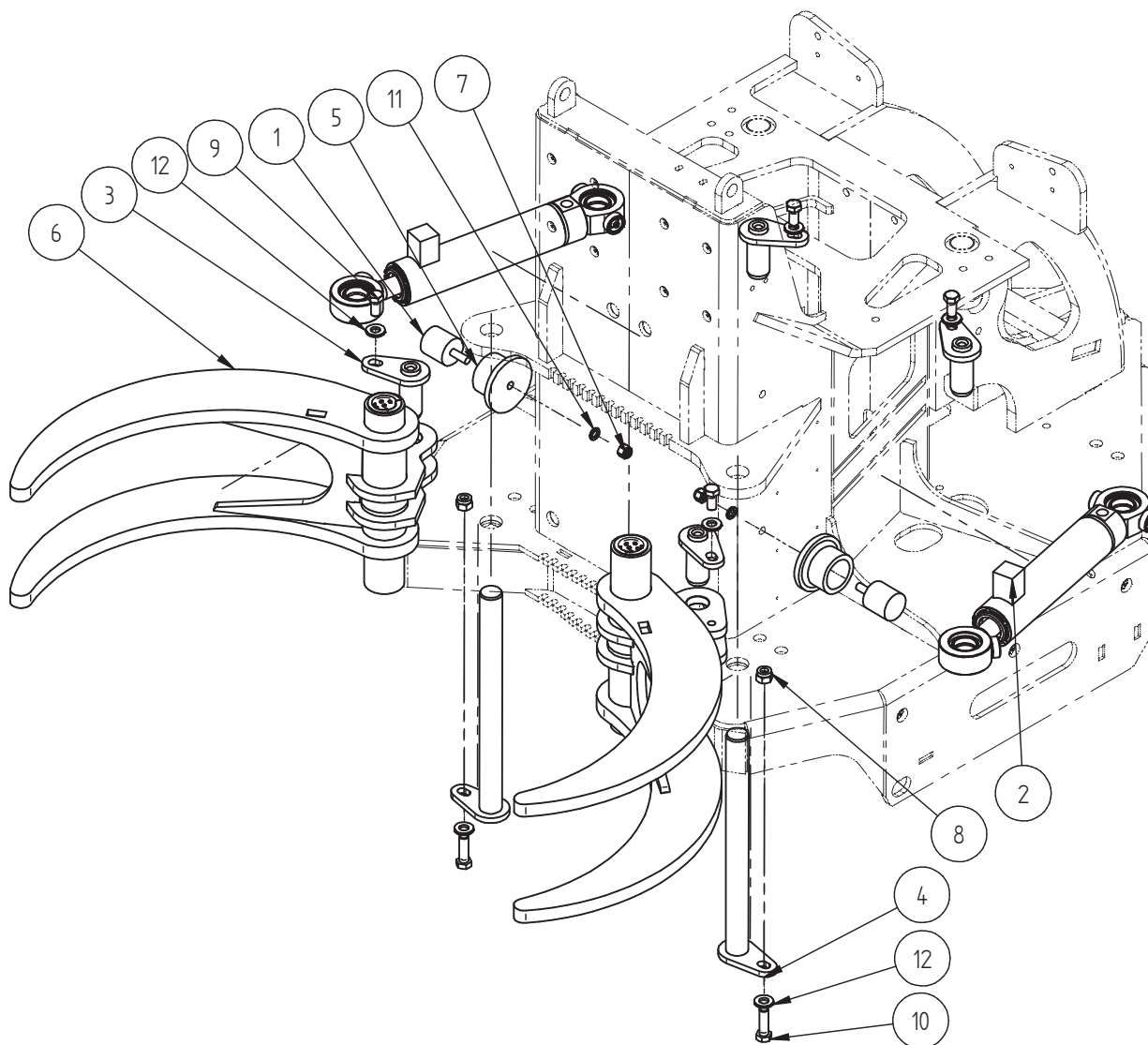
Pos. Item	Antal Qty	Reservdelsnummer Part Number	Benämning	Name
1	2	10F42XS	Rak koppling, Jic 7/8-14 - R1/2	Str. adapter, Jic 7/8-14 - R1/2
2	1	8-8C40XS	Ställbar 90° kpl, Jic 3/4-16 - R1/2	90° adapter, Jic 3/4-16 - R1/2





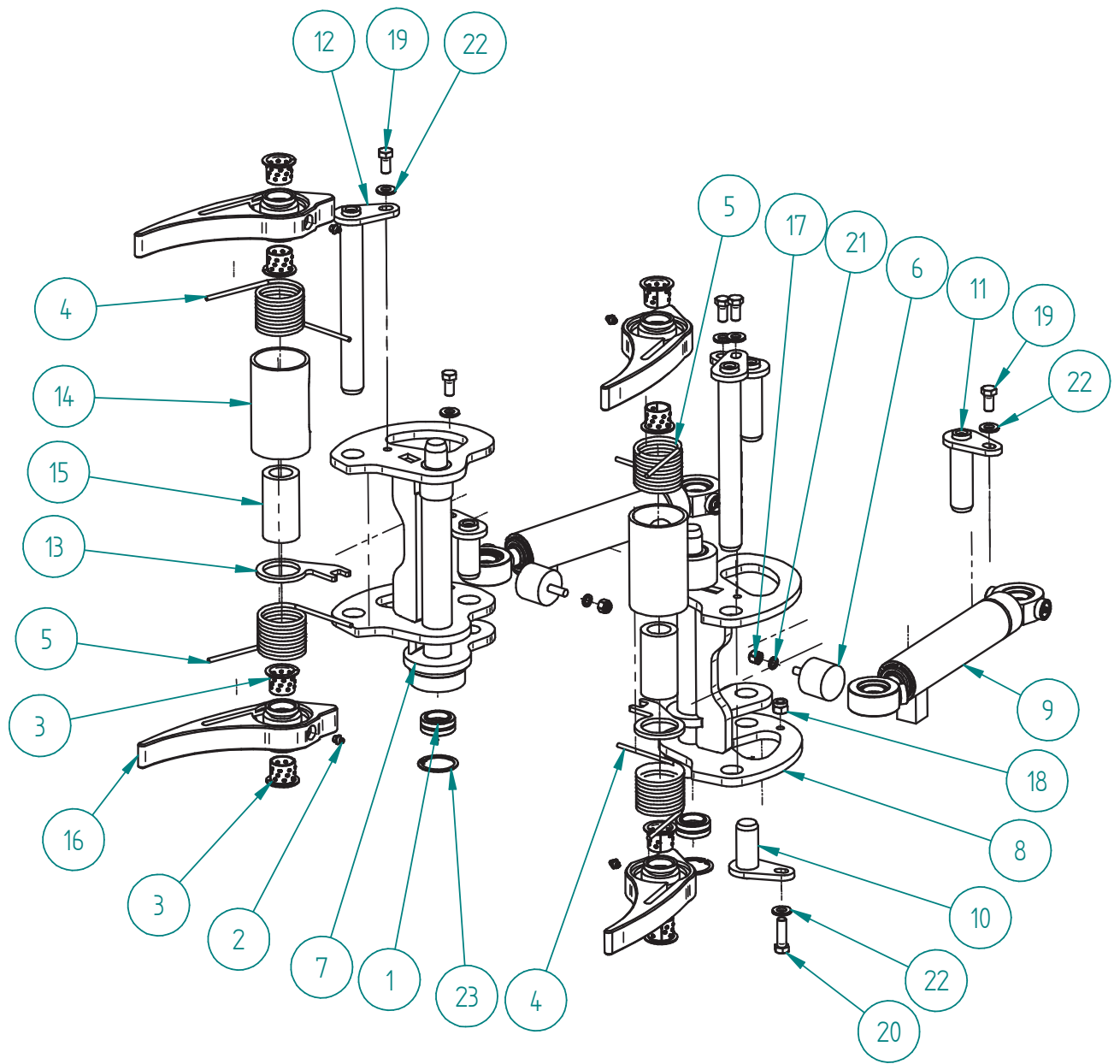
## Nedre Grip SMST / Lower Grapple Assy.

Pos. Item	Antal Qty	Reservdelsnummer Part Number	Benämning	Name
1	2	801079	Gummibuffert D40/40 M10	Rubber buffer D40/40 M10
2	2	C55114	Cylinder 50/25x170	Cylinder 50/25x170
3	4	C55204	Tapp, D=30 L=64	Pin, D=30 L=64
4	2	C55210	Tapp, D=30, L=349	Pin, D=30, L=349
5	2	C55755	Stopp	Stop
6	2	C55992	Nedre grip	Grapple arm, lower
7	2	LKM10	Loc-king mutter M10	Locknut, M10
8	2	LKM12	Loc-king mutter M12	Locknut, M12
9	4	M6SM12x25	Skruv	Bolt
10	2	M6SM12x40	Skruv	Bolt
11	2	NLM10	Nord-Lock bricka, M10	Lockwasher, M10
12	6	NLM12SYD	Nord-Lock bricka, M12, stor Y.D.	Lockwasher, M12, large O.D.



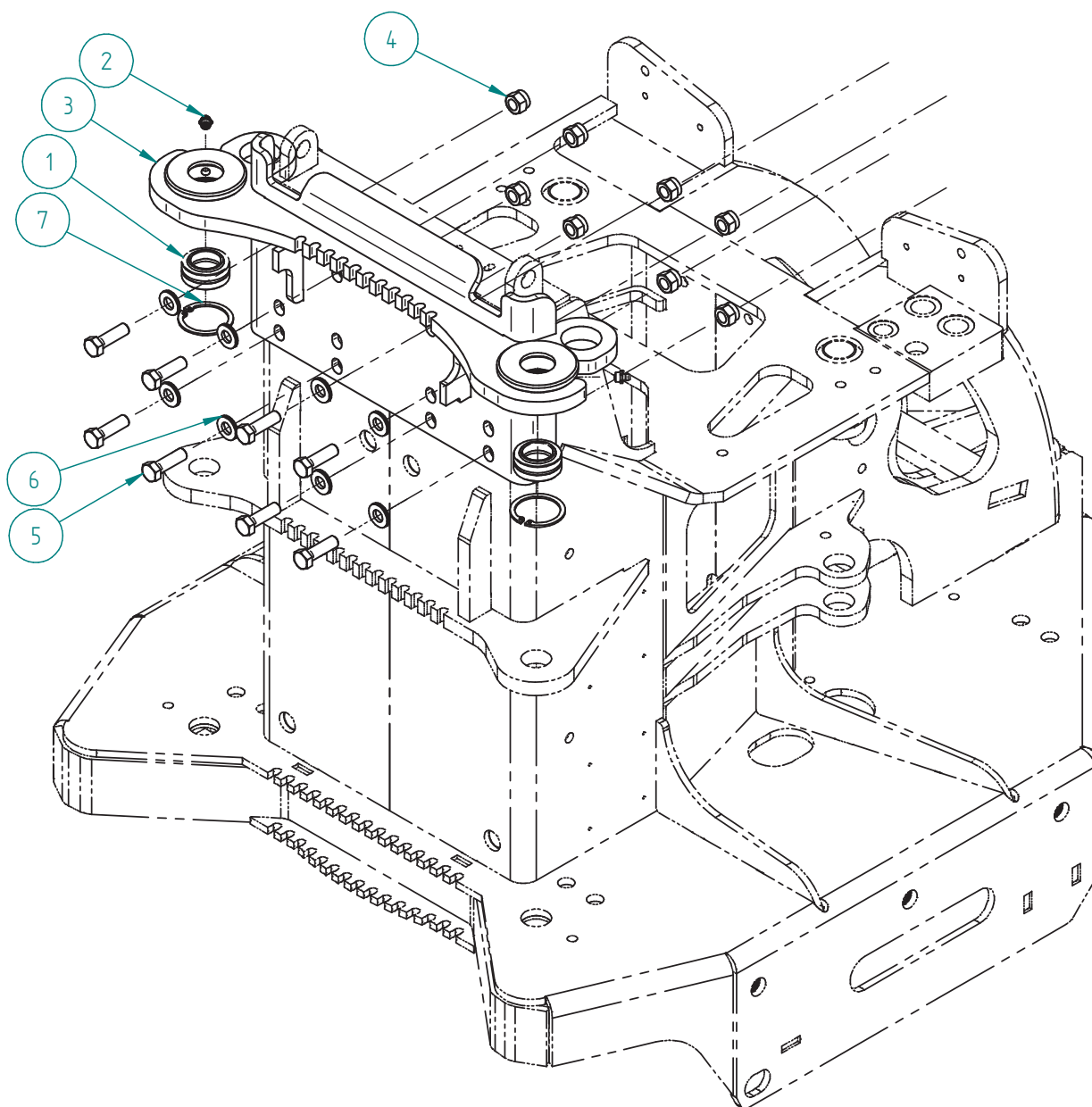
## Övre grip SMST / Accumulating Arms Assembly

Pos.	Antal	Reservdelsnummer	Benämning	Name
Item	Qty	Part Number		
1	2	700010	Ledlager	Spherical plain bearing
2	6	800007	Smörjnippel KR 1/8 rak	Grease fitting
3	8	800752	Flänsbussning 30x30	Flange bushing 30x30
4	2	800879	Fjäder H. 5,5	Spring, R.H. 5,5
5	2	800880	Fjäder V. 5,5	Spring, L.H. 5,5
6	2	800946	Gummibuffert D50/40 M10	Rubber buffer D50/40 M10
7	1	C55043	Griparmshållare, hö	Bracket, grip arm right
8	1	C55044	Griparmshållare, vä	Bracket, grip arm left
9	2	C55114	Cylinder 50/25x170	Cylinder 50/25x170
10	2	C55204	Tapp, D=30 L=64	Pin, D=30 L=64
11	2	C55206	Tapp, d=30, l=99	Pin, d=30, l=99
12	2	C55208	Tapp, d=30, l=256	Pin, d=30, l=256
13	2	C55310	Stödbricka	Support washer
14	2	C55311	Skyddshylsa	Protection tube
15	2	C55453	Distanshylsa	Spacer
16	4	C55538	Griparm, övre grip	Accumulator arm
17	2	LKM10	Loc-king mutter M10	Locknut, M10
18	1	LKM12	Låsmutter	Locknut
19	5	M6SM12x25	Skruv	Bolt
20	1	M6SM12x40	Skruv	Bolt
21	2	NLM10	Nord-Lock bricka, M10	Lockwasher, M10
22	6	NLM12SYD	Nord-Lock bricka, M12, stor Y.D.	Lockwasher, M12, large O.D.
23	2	SGH050	Låsring, SGH 50	Locking ring, SGH 50



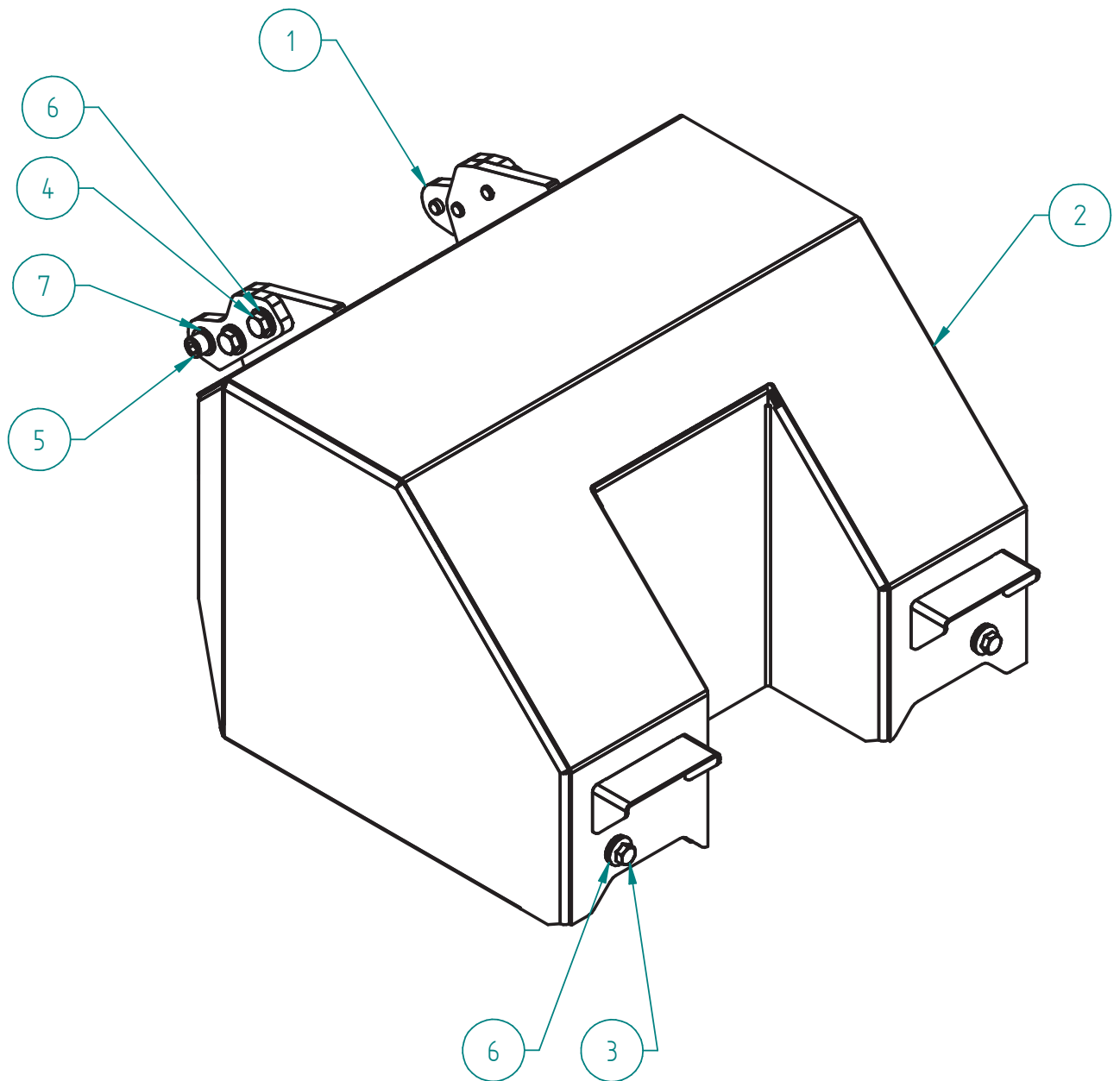
## Griparmsfäste, SMST / Accumulator Arm Bracket Assy.

Pos. Item	Antal Qty	Reservdelsnummer Part Number	Benämning	Name
1	2	700010	Ledlager	Spherical plain bearing
2	2	800007	Smörjnippel KR 1/8 rak	Grease fitting
3	1	C55088	Griparmsfäste	Accumulator Arm Bracket
4	8	LKM12	Låsmutter	Locknut
5	8	M6SM12x40	Skruv	Bolt
6	8	NLM12SYD	Nord-Lock bricka, M12, stor Y.D.	Lockwasher, M12, large O.D.
7	2	SGH050	Låsring, SGH 50	Locking ring, SGH 50



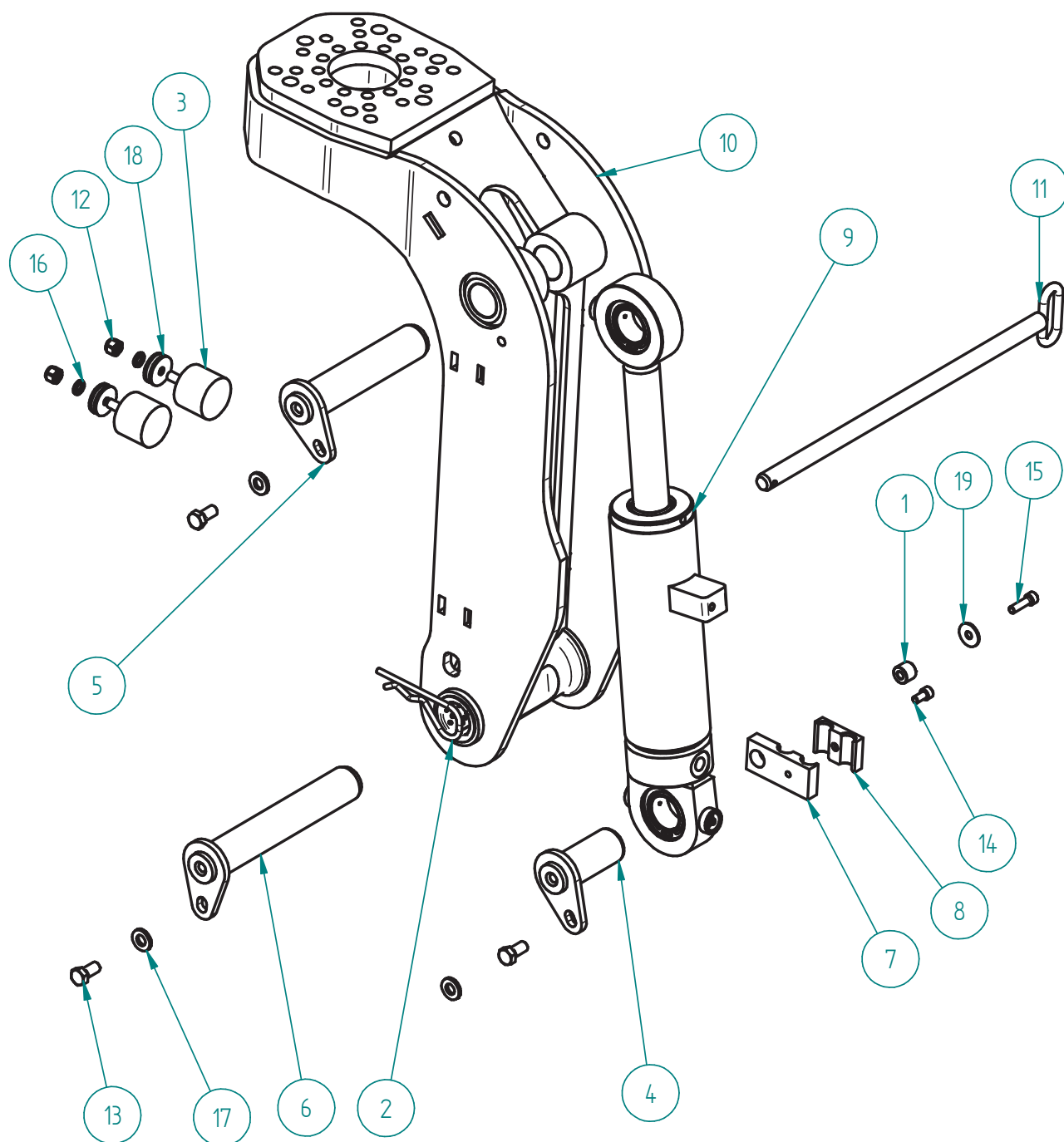
## Ventilblockskåpa SMST / Valve Cover Assembly

Pos. Item	Antal Qty	Reservdelsnummer Part Number	Benämning	Name
1	2	C55082	Gångjärnsöra ventilkåpa	Hinge
2	1	C55849	Ventilblockskåpa	Service hood
3	2	M6SF12x25	Skruv	Bolt
4	4	M6SM12x30	Skruv	Bolt
5	2	MC6SM12X20B	Insexskruv	Socket head screw
6	6	NLM12SYD	Nord-Lock bricka, M12, stor Y.D.	Lockwasher, M12, large O.D.
7	2	RBS12	Planbricka M12 Stor Y.D.	Flat Washer M12 Large O.D.



## Tiltram SMST / Tilt Link Assembly

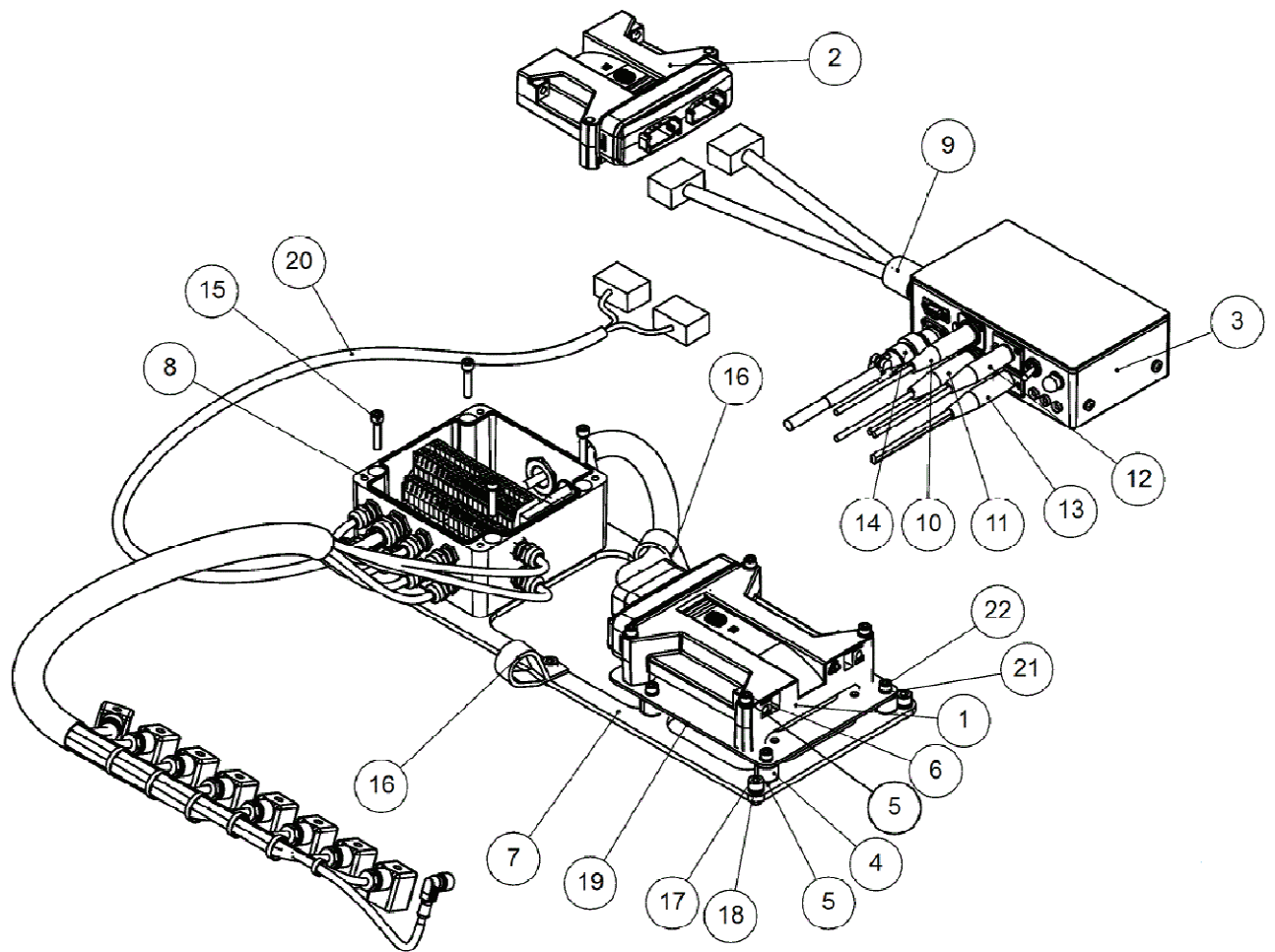
Pos.	Antal	Reservdelsnummer	Benämning	Name
Item	Qty	Part Number		
1	1	0D14517	Distanshylsa	Spacer
2	1	800189	Fjädersprint rak, fzb	Spring pin
3	2	800946	Gummibuffert D50/40 M10	Rubber buffer D50/40 M10
4	1	C55212	Tapp, D=40 L=87	Pin, D=40 L=87
5	1	C55214	Tapp, D=40 L=188	Pin, D=40 L=188
6	1	C55216	Tapp, D=40 L=238	Pin, D=40 L=238
7	1	C55246	Slanghållare inre	Hose clamp, inner
8	1	C55247	Slanghållare yttre	Hose clamp, outer
9	1	C55920	Cylinder 80/40x160	Cylinder 80/40x160
10	1	C55989	Tiltram	Tilt link
11	1	C55990	Låssprint	Locking pin
12	2	LKM10	Loc-king mutter M10	Locknut, M10
13	3	M6SM12x25	Skruv	Bolt
14	1	MC6SM8x16	Insexskruv	Socket head screw
15	1	MC6SM8x30B	Insexskruv 12.9	Socket head screw
16	2	NLM10	Nord-Lock bricka, M10	Lockwasher, M10
17	3	NLM12SYD	Nord-Lock bricka, M12, stor Y.D.	Lockwasher, M12, large O.D.
18	4	SRKB11x35x3	Karosseribricka, Fzb	Flatwasher
19	1	SRKB9X28X2	Karosseribricka, Fzb	Flatwasher



## Styrssystem, Danfoss / Control System, Danfoss

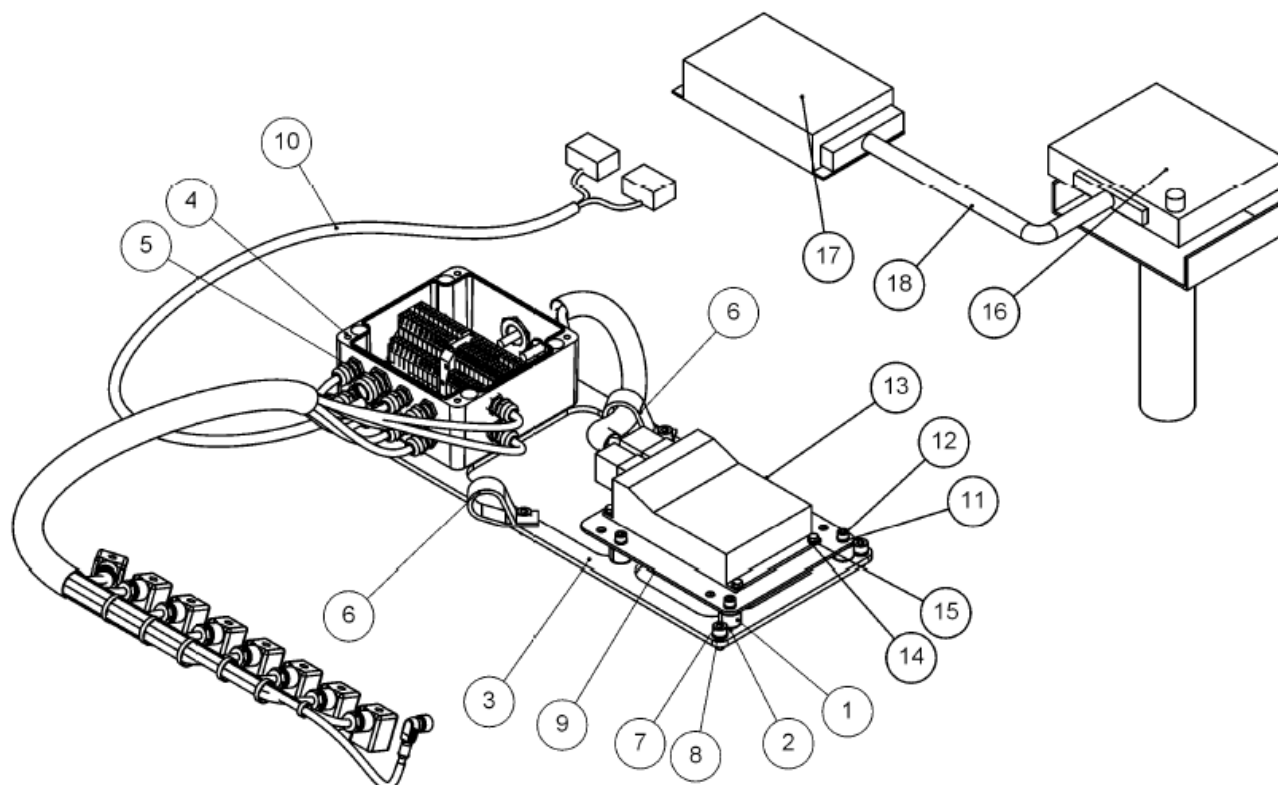
Pos.	Antal	Reservdelsnummer	Benämning	Name
Item	Qty	Part Number		
1	1	800756	Controller Plus 1, MC050	Controller Plus 1, MC050
2	1	800754	Controller Plus 1, MC024	Controller Plus 1, MC024
3	1	C55169	CAB-låda	Cab box
4	4	800599	Gummifäste maskinlåda TTS	Rubber mount
5	12	BRB06,4	Planbricka, Fzb	Flatwasher
6	4	MC6SM6X55B	Insexskruv, 12.9	Socket head screw
7	1	C55229	Fästplåt styrssystem	Bracket controlsystem
8	1	C55223	Maskinlåda	Machine box
9	1	C55606	Kabel CAB-PLC	Cable Cabbox - PLC
10	1	C55269	Spakkabel vänster 5-pin	Joystick cable left
11	1	C55270	Spakkabel höger 6-pin	Joystick cable right
12	1	C55271	Kabel dörrbrytare	Cable doorswitch
13	1	91109	Spänningsmatningskabel	Power supply cable
14	1	C55225	CAN-kabel	CAN cable
15	4	MC6SM6X30B	Insexskruv, 12.9	Socket head screw
16	2	800292	Gummiklammer, 25mm	Rubber clamp, 25mm
17	6	MC6SM8X16B	Insexskruv, 12.9	Socket head screw
18	6	NLM8	Nordlock bricka, M8	Lockwasher
19	1	C55802	Monteringsplåt Technion	Mounting plate
20	1	C55810	CAN-Kabel aggregat	CAN cable, C16
21	4	NLM6	Nordlock bricka, M6	Lockwasher
22	4	MC6SM6X10B	Insexskruv 12.9	Socket head screw





## Styrsystem, Technion / Control System, Technion

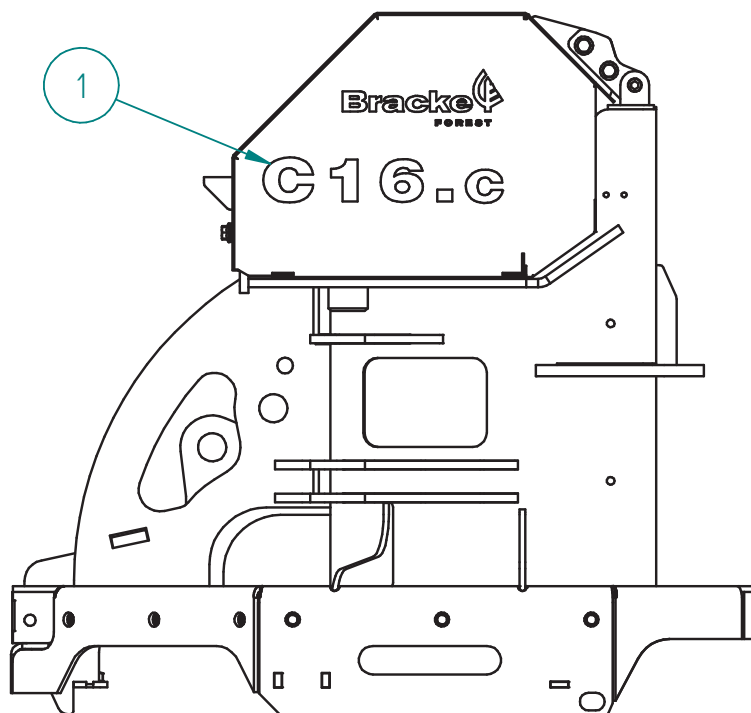
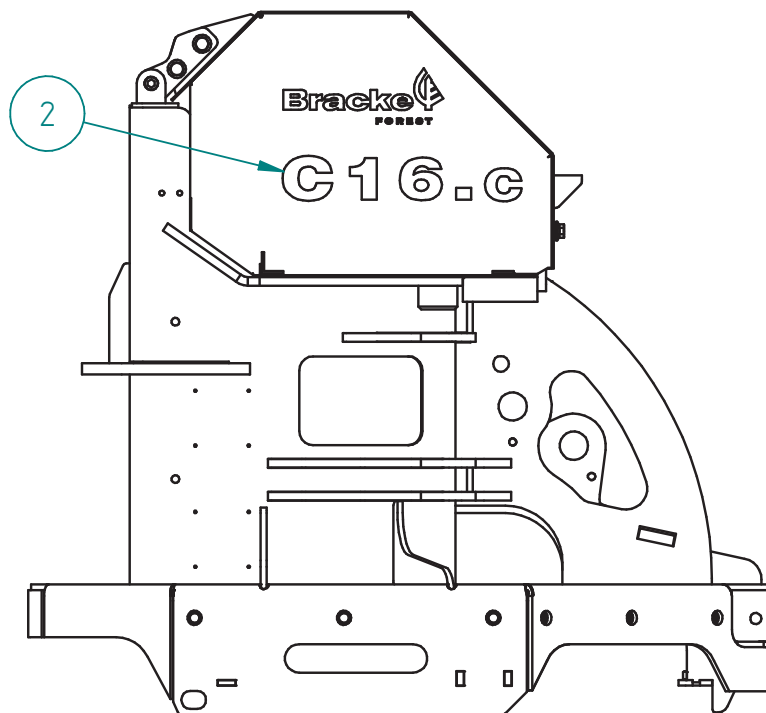
Pos. Item	Antal Qty	Reservdelsnummer Part Number	Benämning	Name
1	4	800599	Gummifäste maskinlåda TTS	Rubber mount
2	8	BRB06,4	Planbricka, Fzb	Flatwasher
3	1	C55229	Fästplåt styrsystem	Bracket controlsystem
4	1	C55823	Maskinlåda	Machine box
5	4	MC6SM6X30B	Insexskruv, 12.9	Socket head screw
6	2	800292	Gummiklammer, 25mm	Rubber clamp, 25mm
7	6	MC6SM8X16B	Insexskruv, 12.9	Socket head screw
8	6	NLM8	Nordlock bricka, M8	Lockwasher
9	1	C55802	Monteringsplåt Technion	Mounting plate
10	1	C55810	CAN-Kabel aggregat	CAN cable, C16
11	4	NLM6	Nordlock bricka, M6	Lockwasher
12	4	MC6SM6X10B	Insexskruv 12.9	Socket head screw
13	1	801014	Logger Head Controller	Logger Head Controller
14	4	BRB05,3	Planbricka, Fzb	Flatwasher
15	4	M6SM5x12	Sexkantsskruv, 8.8 Fzb	Bolt
16	1	801013	Logger Display Controller	Logger Display Controller
17	1	801015	Logger Harvester Interface	Logger Harvester Interface
18	1	801016	Logger System Cable 1	Logger System Cable 1



	<h1>C16</h1> <p>Reservdelar / Spare parts</p>	C16_G13	151113
		<p>Grupp / Section 13</p> <p>Sida / Page 18</p>	

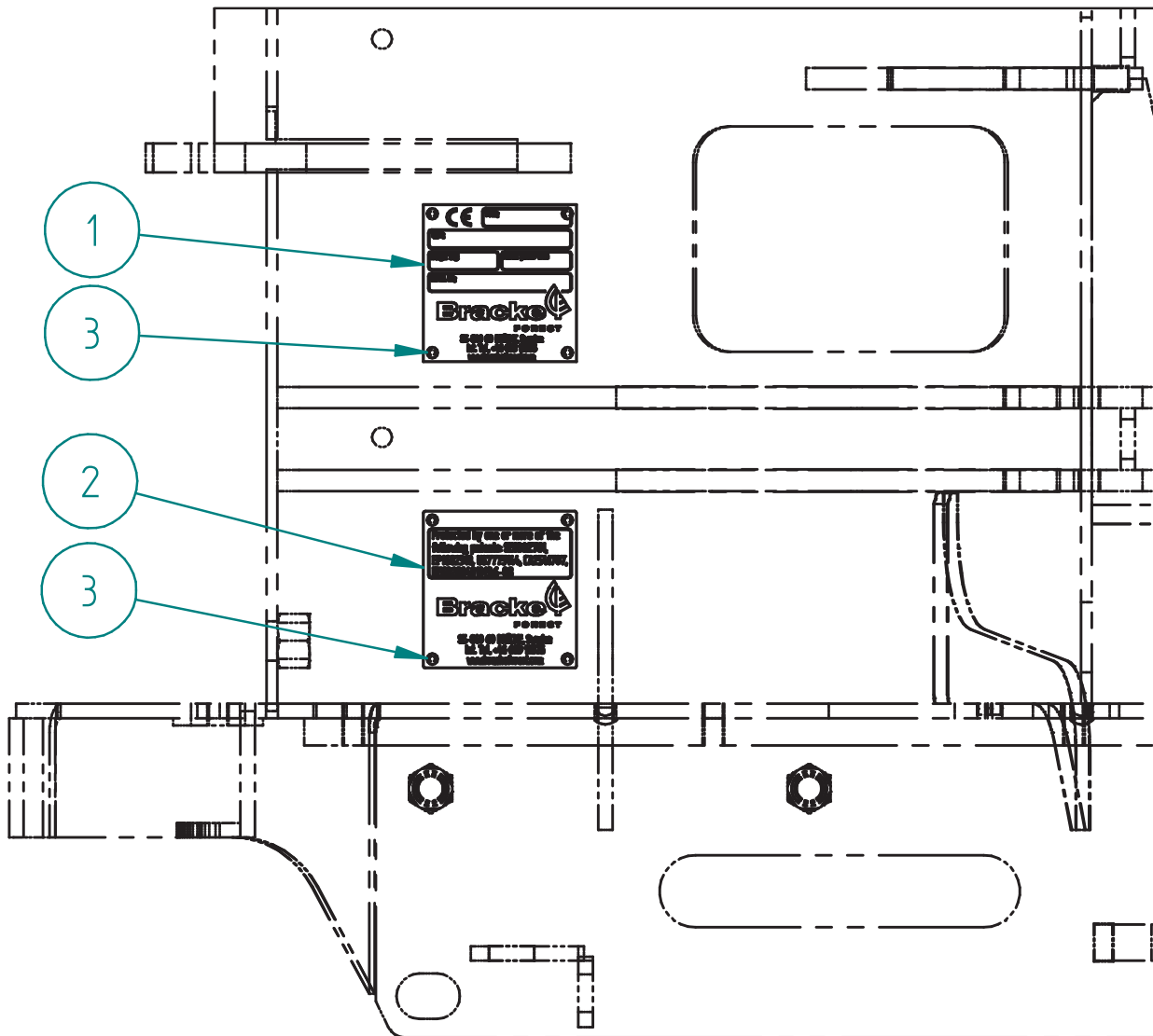
## Dekalsats / Decal kit

Pos. Item	Antal Qty	Reservdelsnummer Part Number	Benämning	Name
1	1	C56043	Dekal C16.c, Höger	Decal C16.c, Right
2	1	C56044	Dekal C16.c, Vänster	Decal C16.c, Left



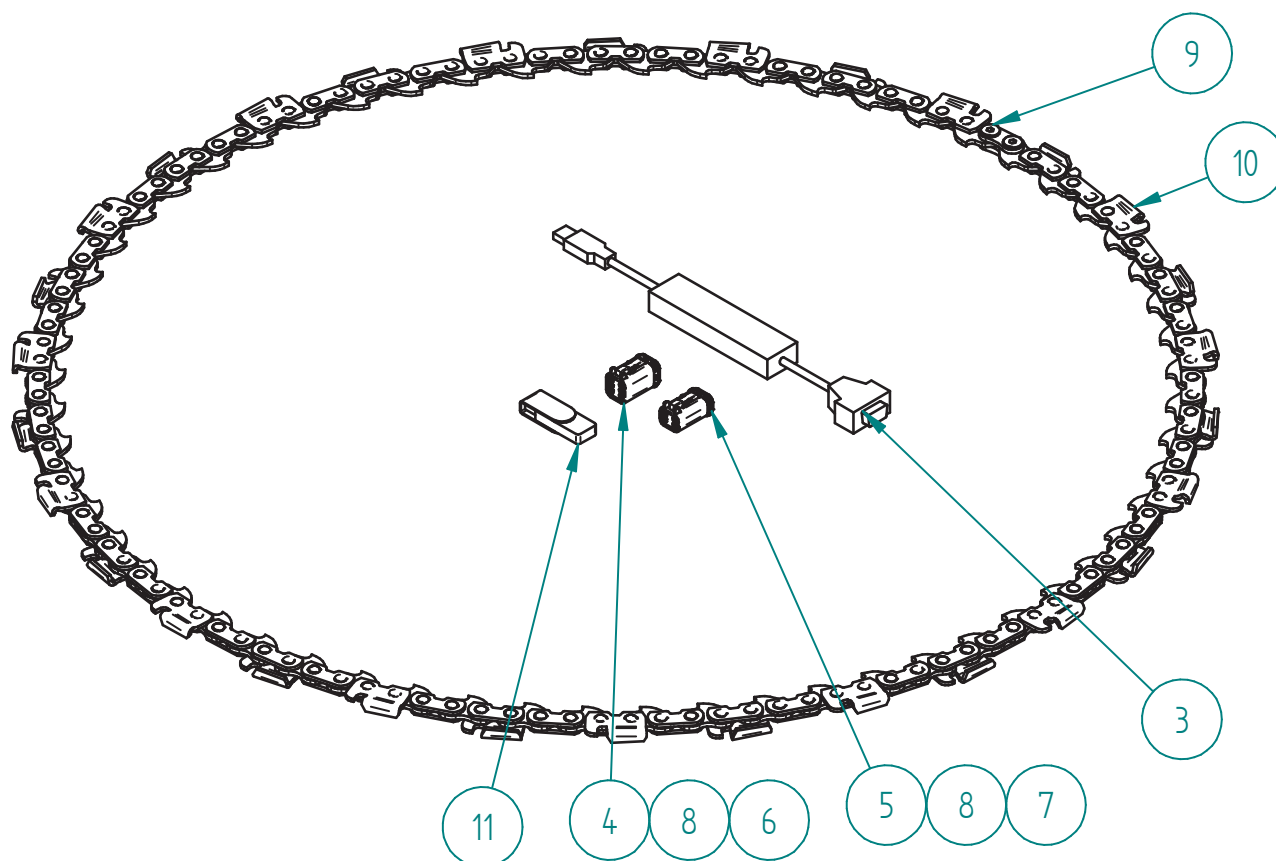
## C16 Skylt SMST / C16 Label Assembly

Pos. Item	Antal Qty	Reservdelsnummer Part Number	Benämning	Name
1	1	91162	Typskylt	Nameplate
2	1	C55801	Patentskylt	Patent plate
3	8	KDS6x6	Nit	Rivet



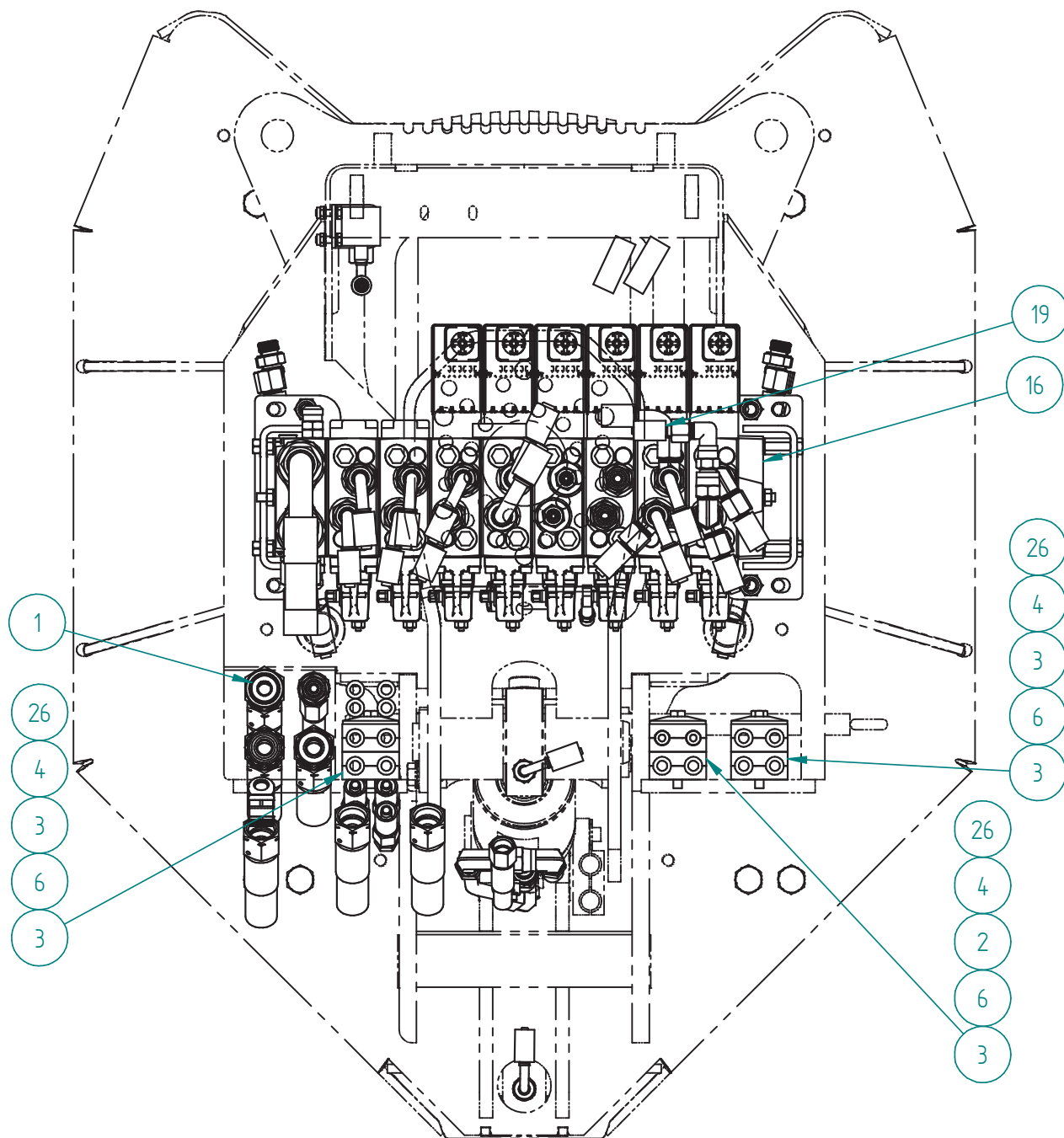
## Leveranskit, C16 / Delivery Kit

Pos. Item	Antal Qty	Reservdelsnummer Part Number	Benämning	Name
1	1	800718	Smörjfett, patron	Grease cartridge
2	1	800730	Multimeter, UT33D	Multimeter, UT33D
3	1	800828	USB Gateway laddningskabel	USB downloading cable
4	1	801243	Deutsch don 6-pin honstift	Deutsch contact, 6-pin socket
5	1	801244	Deutsch don 4-pin honstift	Deutsch contact, 4-pin socket
6	1	801245	Låsning DT 6-pol hona	Locking DT 6-pole female
7	1	801246	Låsning DT 4-pol hona	Locking DT 4-pole female
8	10	801247	Deutsch socket 0,75-2,0 mm2	Deutsch socket 0,75-2,0 mm2
9	3	C55161	Kedjelås	Chain lock, 3/4 inch
10	3	C55218	Kedja C12 / C16	Saw Chain, 3/4 inch
11	1	C55759	C16 diagnose programvara	C16 diagnostic software
12	1	D201082	Manometerslang, 0,5 m.	Pressure gauge hose, 0.5m
13	1	D201083-250	Manometer, 250 BAR	Pressure gauge, 250 BAR



## Hydraulik Struktur / Hydraulic System

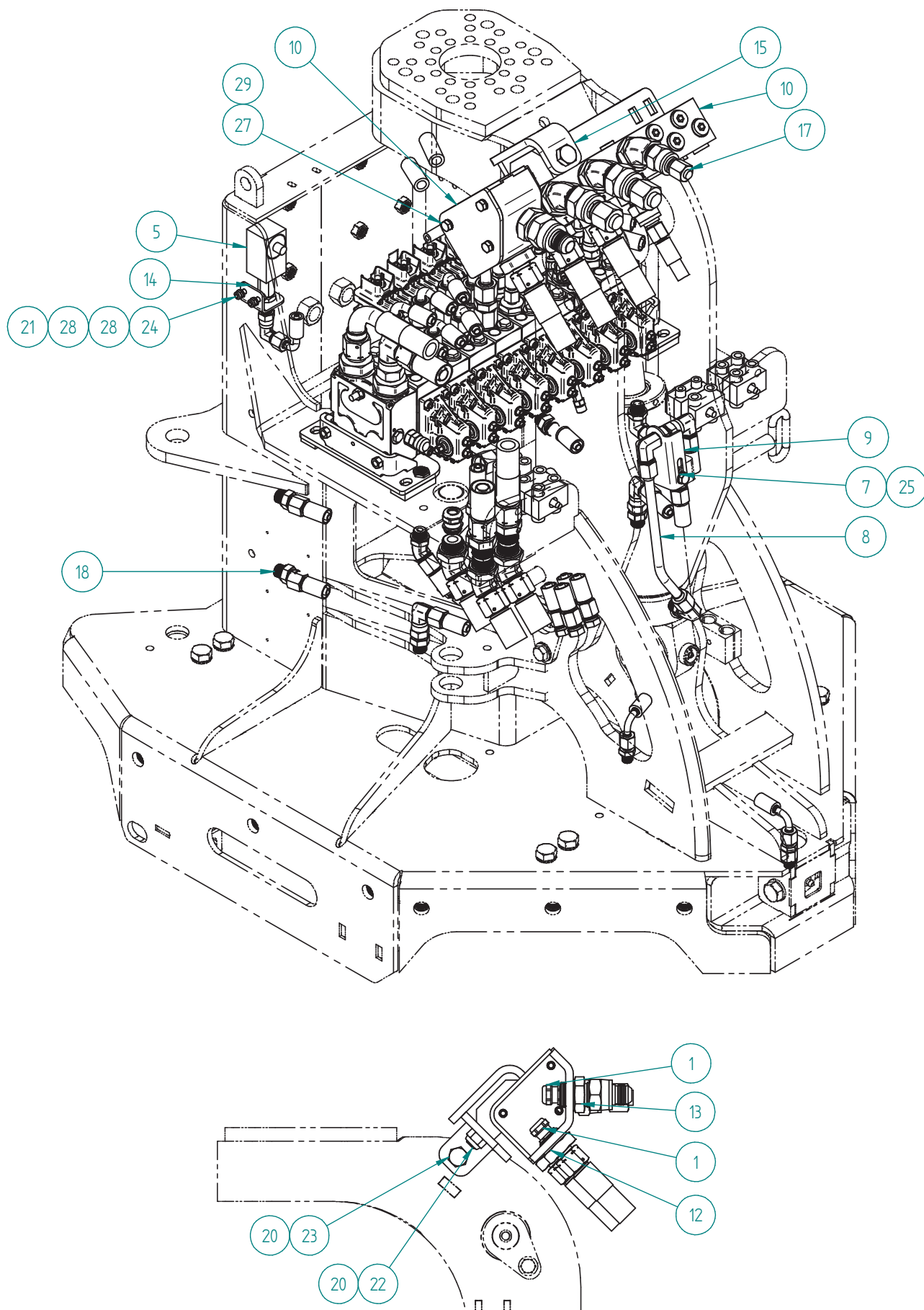
Pos. Item	Antal Qty	Reservdelsnummer Part Number	Benämning	Name
1	3	800729	Förskruvning PG16	Cable gland
2	1	800810	Klammerpar, DSLK 214/14	Hose clamp
3	5	800811	Klammerpar, DSLK 216/16	Hose clamp
4	3	800813	Täckplatta, DS/GD 2	Cover plate
5	1	800941	Tryckvakt, elektronisk	Pressure switch
6	3	800944	Påbyggnadsskruv M8x28	Stacking bolt, M8x28
7	1	BRB08,4	Bricka	Flatwasher
8	1	C55125	Hydraulrör, C 16	Hydraulic tube
9	1	C55127	Skottgenomgång plåt	Bulhead bracket
10	1	C55502	Skarvblock	Connection block
11	1	C55506	Sidoplåt	Side plate
12	1	C55525	Rak koppling, modifierad	Straight adapter, modified
13	1	C55526	Rak koppling, modifierad	Straight adapter, modified
14	1	C55536	Monteringsplåt Tryckvakt	Pressure switch bracket
15	1	C55834	Fäste skarvblock	Bracket, connection block
16	1	C55965	Ventilpaket SMST	Valve assembly
17	1	C55975	Nipplesats, Skarvblock	Adapter kit, connection block
18	1	C55977	Nippelsats, chassi	Adapter kit, frame
19	1	C56024	Slangsats C16	Hose kit
20	3	LKM16	Låsmutter	Locknut M16
21	2	LKM6	Låsmutter	Locknut
22	1	M6SM16x120	Sexkantsskruv, 8.8 Fzb	Bolt
23	2	M6SM16x55	Sexkantsskruv, 8.8 Fzb	Bolt
24	2	M6SM6x20	Skruv	Bolt
25	1	M6SM8x25	Skruv	Bolt
26	3	M6SM8x35	Sexkantsskruv, 8.8 Fzb	Bolt
27	3	M6SM8x90	Sexkantsskruv, 8.8 Fzb	Bolt
28	4	NLM6	Nord-Lock bricka, M6	Lockwasher, M6
29	3	NLM8	Nord-Lock bricka, M8	Lockwasher, M8
30	3,8 m	Spiral32-m	Skyddsspiral, 32 mm	Hose protection
31	2	Spännband500	Spännband, 0,5 m.	Tensioning strap, 0,5m



## Hydraulik Struktur / Hydraulic System

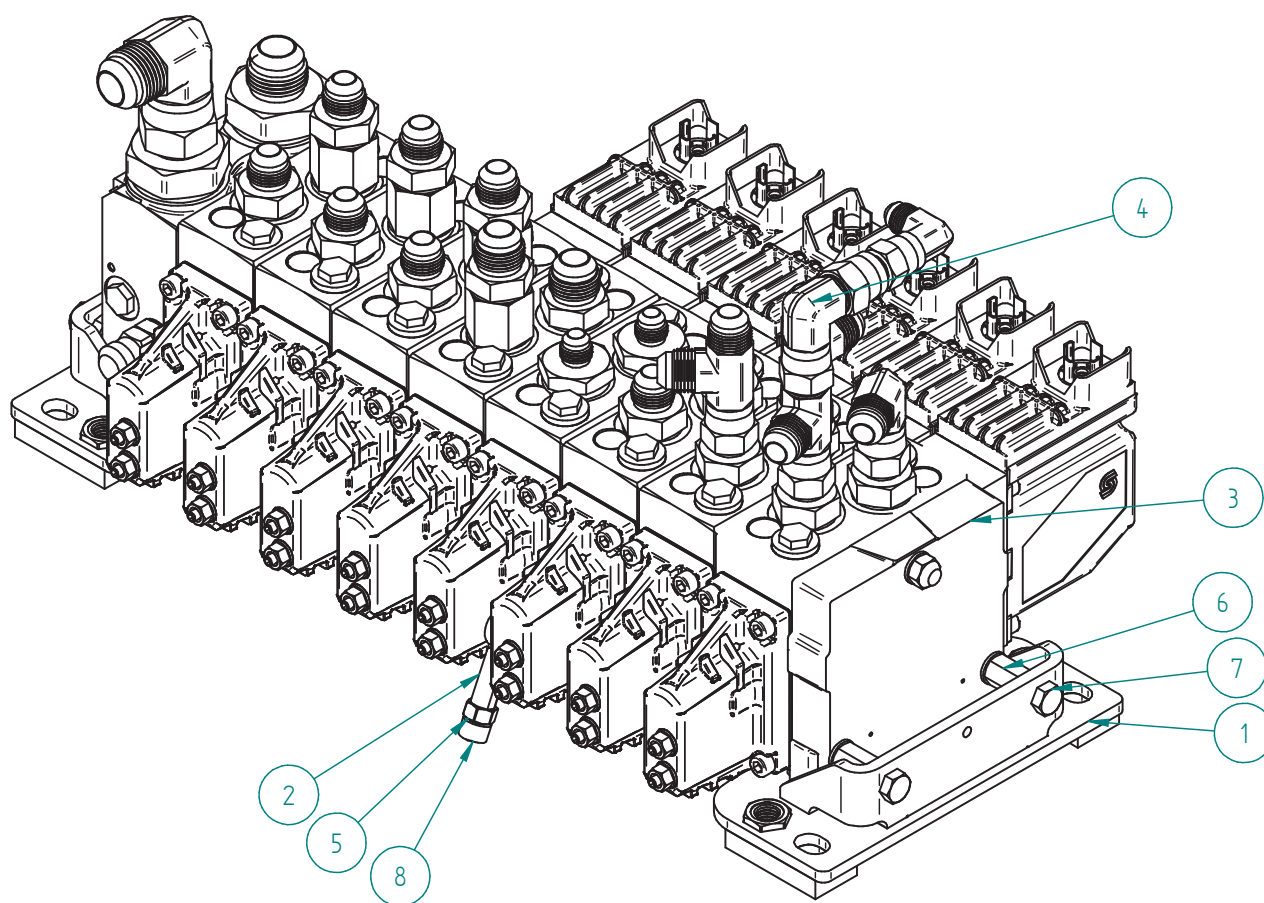
Pos. Item	Antal Qty	Reservdelsnummer Part Number	Benämning	Name
1	3	800729	Förskruvning PG16	Cable gland
2	1	800810	Klammerpar, DSLK 214/14	Hose clamp
3	5	800811	Klammerpar, DSLK 216/16	Hose clamp
4	3	800813	Täckplatta, DS/GD 2	Cover plate
5	1	800941	Tryckvakt, elektronisk	Pressure switch
6	3	800944	Påbyggnadsskruv M8x28	Stacking bolt, M8x28
7	1	BRB08,4	Bricka	Flatwasher
8	1	C55125	Hydraulrör, C 16	Hydraulic tube
9	1	C55127	Skottgenomgång plåt	Bulhead bracket
10	1	C55502	Skarvblock	Connection block
11	1	C55506	Sidoplåt	Side plate
12	1	C55525	Rak koppling, modifierad	Straight adapter, modified
13	1	C55526	Rak koppling, modifierad	Straight adapter, modified
14	1	C55536	Monteringsplåt Tryckvakt	Pressure switch bracket
15	1	C55834	Fäste skarvblock	Bracket, connection block
16	1	C55965	Ventilpaket SMST	Valve assembly
17	1	C55975	Nipplesats, Skarvblock	Adapter kit, connection block
18	1	C55977	Nipplesats, chassi	Adapter kit, frame
19	1	C56024	Slangsats C16	Hose kit
20	3	LKM16	Låsmutter	Locknut M16
21	2	LKM6	Låsmutter	Locknut
22	1	M6SM16x120	Sexkantsskruv, 8.8 Fzb	Bolt
23	2	M6SM16x55	Sexkantsskruv, 8.8 Fzb	Bolt
24	2	M6SM6x20	Skruv	Bolt
25	1	M6SM8x25	Skruv	Bolt
26	3	M6SM8x35	Sexkantsskruv, 8.8 Fzb	Bolt
27	3	M6SM8x90	Sexkantsskruv, 8.8 Fzb	Bolt
28	4	NLM6	Nord-Lock bricka, M6	Lockwasher, M6
29	3	NLM8	Nord-Lock bricka, M8	Lockwasher, M8
30	3,8 m	Spiral32-m	Skyddspirals, 32 mm	Hose protection
31	2	Spännband500	Spännband, 0,5 m.	Tensioning strap, 0,5m





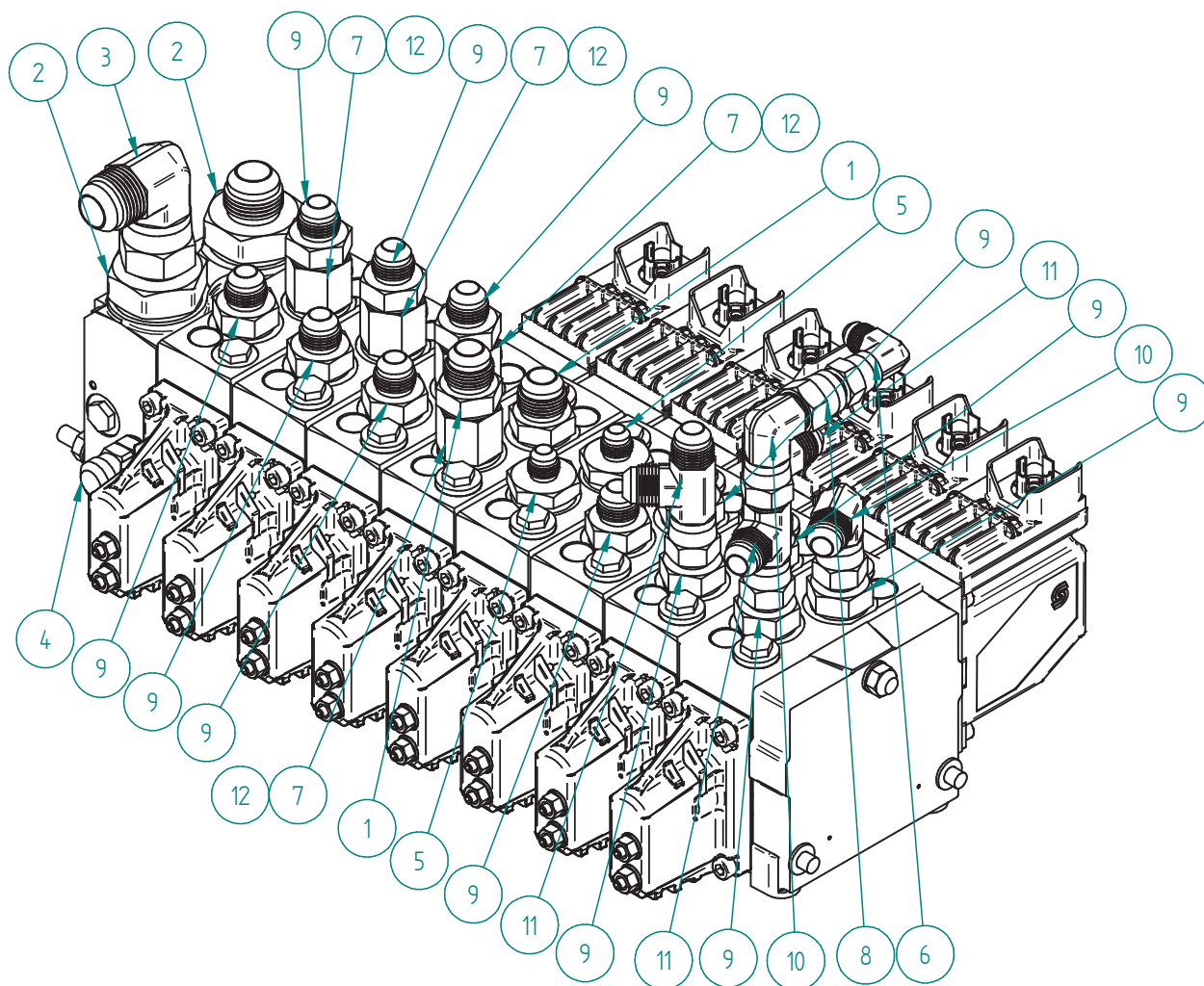
## Ventilpaket SMST / Valve Assembly

Pos. Item	Antal Qty	Reservdelsnummer Part Number	Benämning	Name
1	2	15893	Ventilfäste	Valve bracket
2	1	155L3450	Fot	Lever
3	1	C55964	Valve SMST, 8 sektioner	Valve assy, 8 sections
4	1	C55966	Nippelsats, ventilpaket	Adapter kit, valve
5	3	M6M8	Mutter	Nut
6	2	M6M8x24A	Skarvmutter	Nut
7	6	M6SM8x20	Skruv	Bolt
8	1	MC6SM8x20	Insexskruv, 8,8	Socket head screw
9	4	NLM8SYD	Nord-Lock bricka, M8, stor Y.D.	Lockwasher, M8, large O.D.



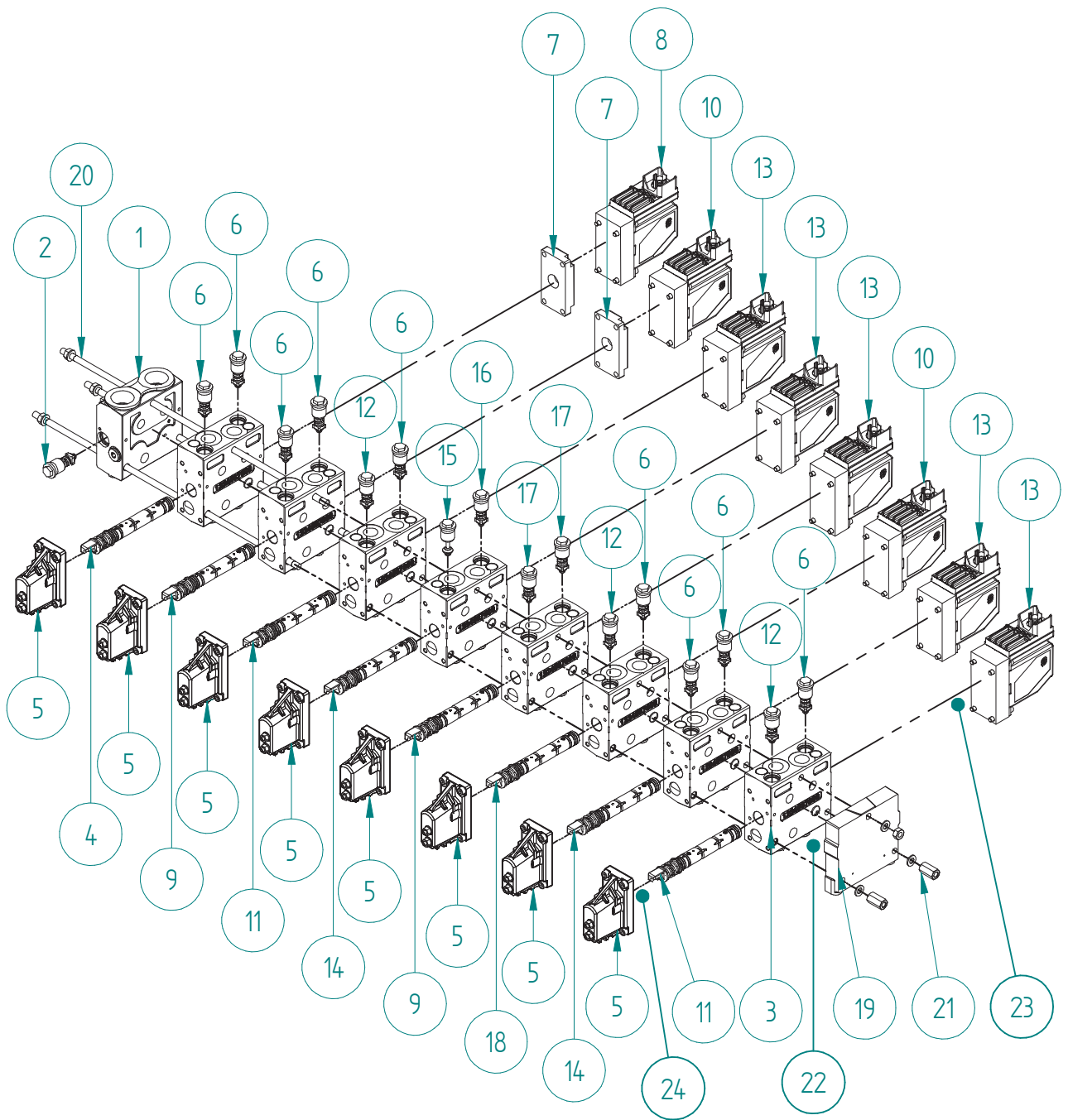
## Nipplesats, ventilpaket / Adapter kit, valve

Pos. Item	Antal Qty	Reservdelsnummer Part Number	Benämning	Name
1	2	10F42XS	Rak kpl., Jic 7/8-14 - R1/2	Str. adapter, Jic 7/8-14 - R1/2
2	2	12-16F42XS	Rak kpl, Jic 1,1/16-12 - R1	Str. adapter, Jic 1,1/16-12 - R1
3	1	12C6XS	90° Vinkelkpl., JIC 1 1/16-12	90° adapter, JIC 1 1/16-12
4	2	2103-01-1800	Manometeruttag	Gauge port adapter
5	2	6-8F42XS	Rak kpl, Jic 9/16-18 - R1/2	Str. adapter, Jic 9/16-18 - R1/2
6	1	6C6XS	90° Vinkelkoppling, JIC 9/16-18	90° adapter, JIC 9/16-18
7	4	705-08-08	Adapter, R1/2"X R1/2"	Adapter, R1/2"X R1/2"
8	1	8-6TRTXS	Reduc., JIC 3/4-16 - JIC 9/16-18	Adapter, JIC 3/4-16 - JIC 9/16
9	12	8-8F42XS	Rak kpl, utv Jic 3/4-16 - utv R1/2	Str. adapter, Jic 3/4-16 - R1/2



## Valve SMST, 8 sektioner / Valve assy., 8 sections

Pos. Item	Antal Qty	Reservdelsnummer Part Number	Benämning	Name
1	1	157B5941	Pumpsidemodul PVPV CC 32	Pump Side Module
2	1	157B2280	Chock & Efterfylln.Ventil	Chock & anti cavitation valve
3	8	157B6233	PVB Basventil	PVB valve section
4	1	157B7620	Ventilslid, PVG-32	Valve spool, PVG-32
5	8	157B3174	Kåpa PVG 32	Housing, PVG 32
6	9	157B2160	Chock & Efterfylln.Ventil	Chock & anti cavitation valve
7	2	157B0001	Täckplatta, PVMD 32	Cover plate
8	1	157B4428	Elmodul PVEM, prop., 24V, flyt	El. module, prop., 24V, float
9	2	157B7020	Ventilslid, PVG-32	Valve spool, PVG-32
10	2	157B4128	Elmodul PVEM, prop., 24V	Electrical module, prop., 24V
11	2	157B7021	Ventilslid, PVG-32	Valve spool, PVG-32
12	3	157B2210	Chock & Efterfylln.Ventil	Chock & anti cavitation valve
13	5	157B4228	Elmodul PVEO, on-off, 24V	Electrical module, on-off, 24V
14	2	157B7023	Ventilslid, PVG-32	Valve spool, PVG-32
15	1	157B2001	Efterfylln.Ventil	Anti cavitation valve
16	1	157B2050	Chock & Efterfylln.Ventil	Chock & anti cavitation valve
17	2	157B2150	Chock & Efterfylln.Ventil	Chock & anti cavitation valve
18	1	157B7022	Ventilslid, PVG-32	Valve spool, PVG-32
19	1	157B2014	Ändplatta, PVSI	End Plate
20	1	157B8008	Monteringssats	Assembly kit
21	2	M6M8x24A	Skarvmutter	Nut
22	9	157B8999	Packningssats PVG 32	Seal kit PVG 32
23	8	157B4997	Packningssats PVE 32, SN2	Seal kit PVE 32, SN2
24	8	157B3999	Packningssats PVM/PVMD 32	Seal kit PVM/PVMD 32

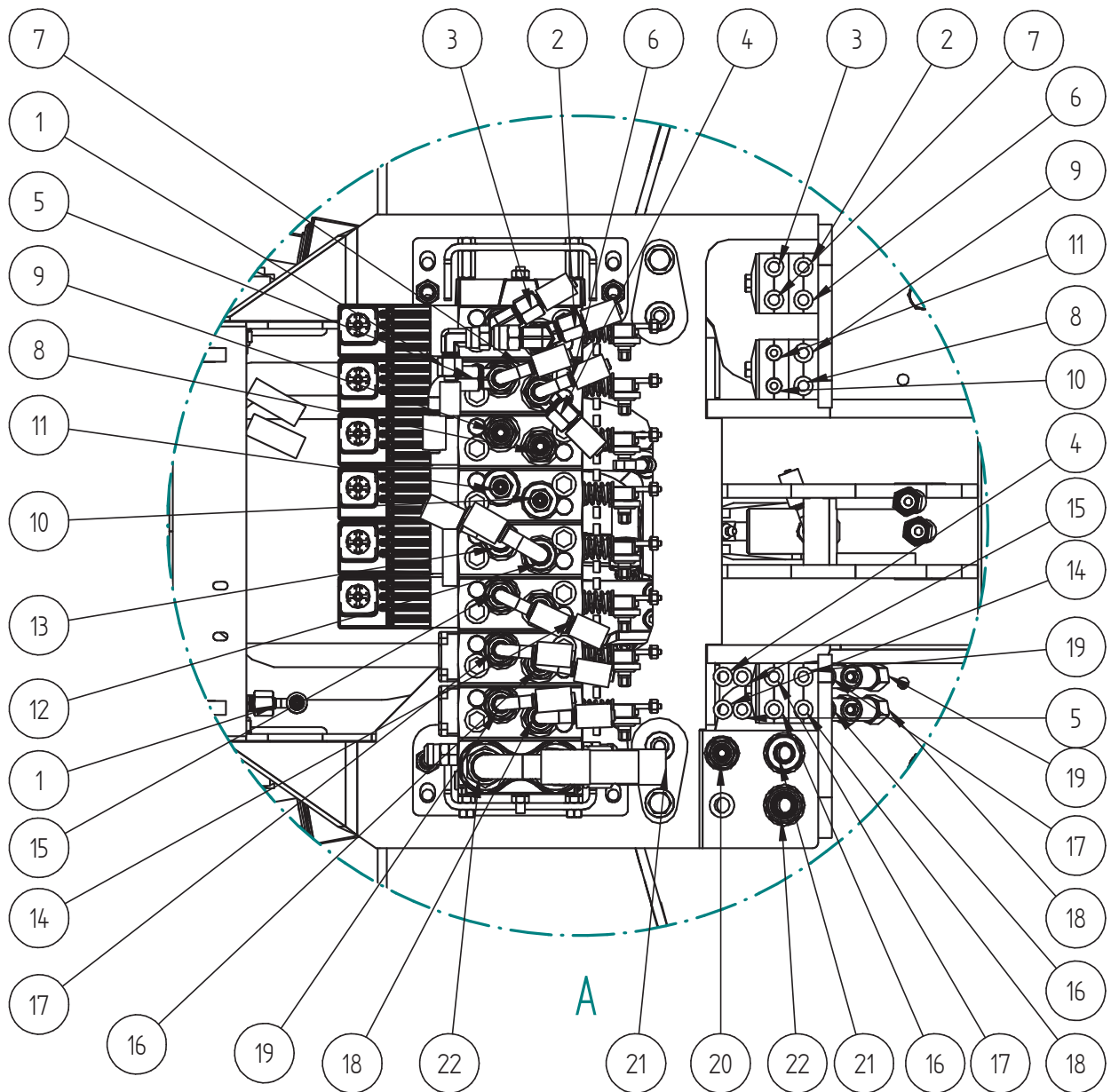
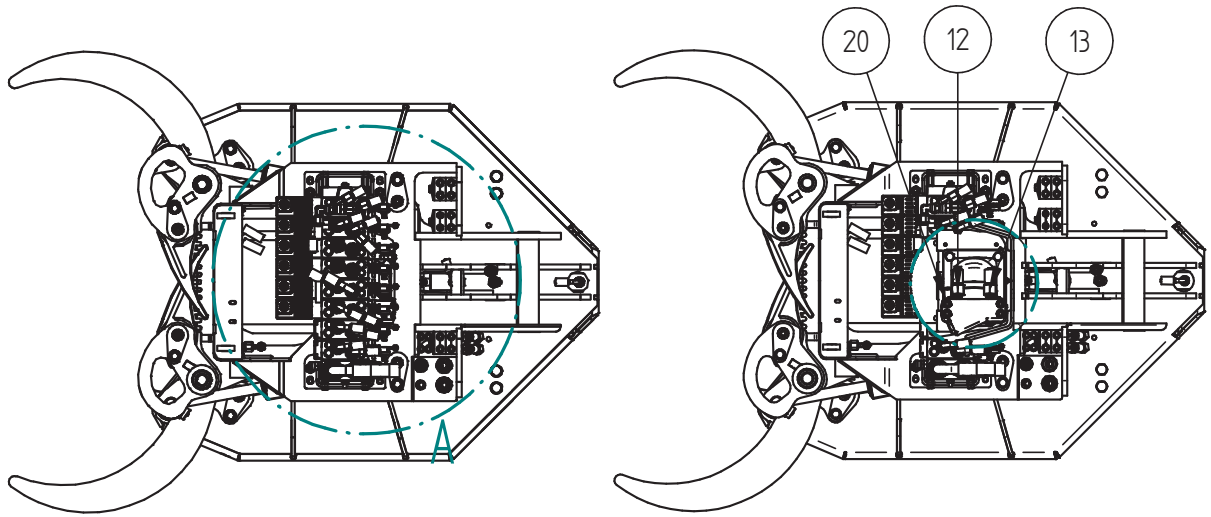


# Slangsats / Hose Kit

Pos.	Antal Qty.	Ritnr. Dwg no.	Benämning	Name	Stångdim	Stångtyp	Stång längd (mm)	La.ned från ytor Length total (mm)	Koppling 1 Hose coupling 1	Koppling 2 Hose coupling 2	Hylsa Collar
1	1	ES6024-1	Tryckvaktt	Pressure switch	1/4"	4880-04	450	495	Rak JIC 4521-06-04	90° JIC 4527-06-04	2610-04
2	1	ES6024-2	Grip stång H.	Grapple close R.	3/8"	4880-06	625	660	Rak JIC 4521-08-06	Rak JIC 4521-08-06	2610-06
3	1	ES6024-3	Grip öppna H.	Grapple open R.	3/8"	4880-06	835	870	Rak JIC 4521-08-06	Rak JIC 4521-08-06	2610-06
4	1	ES6024-4	Ack. stång V.	Acc. close L.	3/8"	4880-06	635	670	Rak JIC 4521-08-06	Rak JIC 4521-08-06	2610-06
5	1	ES6024-5	Ack. öppna V.	Acc. open L.	3/8"	4880-06	1045	1100	Rak JIC 4521-08-06	90° JIC 4527-08-06	2610-04
6	1	ES6024-6	Ack. stång H.	Acc. close R.	3/8"	4880-06	595	650	Rak JIC 4521-08-06	90° JIC 4527-08-06	2610-04
7	1	ES6024-7	Ack. öppna H.	Acc. open R.	3/8"	4880-06	815	870	Rak JIC 4521-08-06	90° JIC 4527-08-06	2610-04
8	1	ES6024-8	Tilt upp	Tilt up	3/8"	4880-06	1420	1455	Rak JIC 4521-08-06	Rak JIC 4521-08-06	2610-06
9	1	ES6024-9	Tilt ned	Tilt down	3/8"	4880-06	1420	1455	Rak JIC 4521-08-06	Rak JIC 4521-08-06	2610-06
10	1	ES6024-10	Kap ut	Saw out	1/4"	4880-04	1325	1370	Rak JIC 4521-06-04	90° JIC 4527-06-04	2610-04
11	1	ES6024-11	Kap in	Saw in	1/4"	4880-04	1010	1055	Rak JIC 4521-06-04	90° JIC 4527-06-04	2610-04
12	1	ES6024-12	Rotation tryck	Saw rotation pressure	1/2"	4880-08	710	775	Rak JIC 4521-10-08	90° JIC 4527-10-08	2610-08
13	1	ES6024-13	Rotation retur	Saw rotation return	1/2"	4880-08	680	745	Rak JIC 4521-10-08	90° JIC 4527-10-08	2610-08
14	1	ES6024-14	Grip stång V.	Grapple close L.	3/8"	4880-06	820	875	Rak JIC 4521-08-06	90° JIC 4527-08-06	2610-06
15	1	ES6024-15	Grip öppna V.	Grapple open L.	3/8"	4880-06	550	605	Rak JIC 4521-08-06	90° JIC 4527-08-06	2610-06
16	1	ES6024-16	Rotator A port	Rotator A port	3/8"	4880-06	470	525	Rak JIC 4521-08-06	90° JIC 4527-08-06	2610-06
17	1	ES6024-17	Rotator B port	Rotator B port	3/8"	4880-06	510	565	Rak JIC 4521-08-06	90° JIC 4527-08-06	2610-06
18	1	ES6024-18	Nivellerings A port	Levelling A port	3/8"	4880-06	470	525	Rak JIC 4521-08-06	90° JIC 4527-08-06	2610-06
19	1	ES6024-19	Nivellerings B port	Levelling B port	3/8"	4880-06	510	565	Rak JIC 4521-08-06	90° JIC 4527-08-06	2610-06
20	1	ES6024-20	Lackolja	Case drain	3/8"	4880-06	1130	1185	Rak JIC 4521-08-06	90° JIC 4527-08-06	2610-06
21	1	ES6024-21	Tryck	Pressure	3/4"	4700-12	230	275	Rak JIC 4521-12-12	Rak JIC 4521-12-12	4710-12
22	1	ES6024-22	Retur	Return	3/4"	4700-12	320	405	Rak JIC 4521-12-12	90° JIC 4527-12-12	4710-12
23	1	ES6024-23	Lackolja	Case drain	3/8"	4880-06	1195	1230	Rak JIC 4521-08-06	Rak JIC 4521-08-06	2610-06
24	1	ES6024-24	Tryck	Pressure	3/4"	4700-12	1085	1130	Rak JIC 4521-12-12	Rak JIC 4521-12-12	4710-12
25	1	ES6024-25	Retur	Return	3/4"	4700-12	1085	1130	Rak JIC 4521-12-12	Rak JIC 4521-12-12	4710-12
26	1	ES6024-26	El-kabelskydd	Electrical wire protection	3/4"	4700-12	1085	1130	Rak JIC 4521-12-12	Rak JIC 4521-12-12	4710-12



## C16 Reservdelar / Spare parts



# Slangsats / Hose Kit

Pos.	Anf. Drg. no.	Ritn. Dwg no.	Benämning	Name	Slangdim	Slangtyp	Stång kaplängd Hose cut length (mm)	Längd från ytor Length total (mm)	Koppling 1 Hose coupling 1	Koppling 2 Hose coupling 2	Hylsa Collar
1	1	1	Tryckväkt	Pressure switch	1/4"	4880-04	450	495	Rak JIC 4521-06-04	90° JIC 4527-06-04	2610-04
2	1	1	Grip stång H.	Grapple close R.	3/8"	4880-06	625	660	Rak JIC 4521-08-06	Rak JIC 4521-08-06	2610-06
3	1	1	Grip öppna H.	Grapple open R.	3/8"	4880-06	835	870	Rak JIC 4521-08-06	Rak JIC 4521-08-06	2610-06
4	1	1	Ack. stång V.	Acc. close L.	3/8"	4880-06	635	670	Rak JIC 4521-08-06	Rak JIC 4521-08-06	2610-06
5	1	1	Ack. öppna V.	Acc. open L.	3/8"	4880-06	1045	1100	Rak JIC 4521-08-06	90° JIC 4527-08-06	2610-04
6	1	1	Ack. stång H.	Acc. close R.	3/8"	4880-06	595	650	Rak JIC 4521-08-06	90° JIC 4527-08-06	2610-04
7	1	1	Ack. öppna H.	Acc. open R.	3/8"	4880-06	815	870	Rak JIC 4521-08-06	90° JIC 4527-08-06	2610-04
8	1	1	Tilt upp	Tilt up	3/8"	4880-06	1420	1455	Rak JIC 4521-08-06	Rak JIC 4521-08-06	2610-06
9	1	1	Tilt ned	Tilt down	3/8"	4880-06	1420	1455	Rak JIC 4521-08-06	Rak JIC 4521-08-06	2610-06
10	1	1	Kap ut	Saw out	1/4"	4880-04	1325	1370	Rak JIC 4521-06-04	90° JIC 4527-06-04	2610-04
11	1	1	Kap in	Saw in	1/4"	4880-04	1010	1055	Rak JIC 4521-06-04	90° JIC 4527-06-04	2610-04
12	1	1	Rotation tryck	Saw rotation pressure	1/2"	4880-08	710	775	Rak JIC 4521-10-08	90° JIC 4527-10-08	2610-08
13	1	1	Rotation retur	Saw rotation return	1/2"	4880-08	680	745	Rak JIC 4521-10-08	90° JIC 4527-10-08	2610-08
14	1	1	Grip stång V.	Grapple close L.	3/8"	4880-06	820	875	Rak JIC 4521-08-06	90° JIC 4527-08-06	2610-06
15	1	1	Grip öppna V.	Grapple open L.	3/8"	4880-06	550	605	Rak JIC 4521-08-06	90° JIC 4527-08-06	2610-06
16	1	1	Rotator A port	Rotator A port	3/8"	4880-06	470	525	Rak JIC 4521-08-06	90° JIC 4527-08-06	2610-06
17	1	1	Rotator B port	Rotator B port	3/8"	4880-06	510	565	Rak JIC 4521-08-06	90° JIC 4527-08-06	2610-06
18	1	1	Nivellering A port	Levelling A port	3/8"	4880-06	470	525	Rak JIC 4521-08-06	90° JIC 4527-08-06	2610-06
19	1	1	Nivellering B port	Levelling B port	3/8"	4880-06	510	565	Rak JIC 4521-08-06	90° JIC 4527-08-06	2610-06
20	1	1	Lackolja	Case drain	3/8"	4880-06	1130	1185	Rak JIC 4521-08-06	90° JIC 4527-08-06	2610-06
21	1	1	Tryck	Pressure	3/4"	4700-12	230	275	Rak JIC 4521-12-12	Rak JIC 4521-12-12	4710-12
22	1	1	Retur	Return	3/4"	4700-12	320	405	Rak JIC 4521-12-12	90° JIC 4527-12-12	4710-12
23	1	1	Lackolja	Case drain	3/8"	4880-06	1195	1230	Rak JIC 4521-08-06	Rak JIC 4521-08-06	2610-06
24	1	1	Tryck	Pressure	3/4"	4700-12	1085	1130	Rak JIC 4521-12-12	Rak JIC 4521-12-12	4710-12
25	1	1	Retur	Return	3/4"	4700-12	1085	1130	Rak JIC 4521-12-12	Rak JIC 4521-12-12	4710-12
26	1	1	El-kabelskydd	Electrical wire protection	3/4"	4700-12	1085	1130	Rak JIC 4521-12-12	Rak JIC 4521-12-12	4710-12



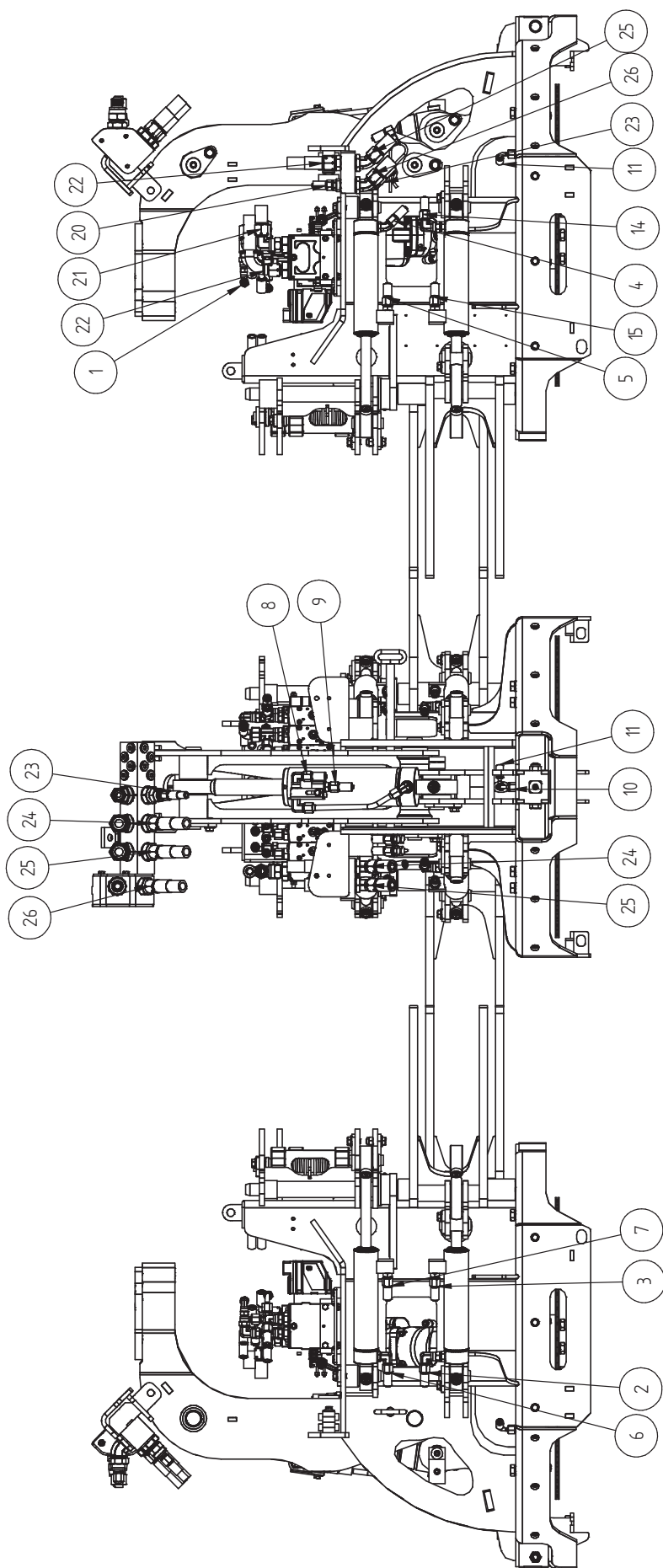
## C16 Reservdelar / Spare parts

C16\_G13

151113

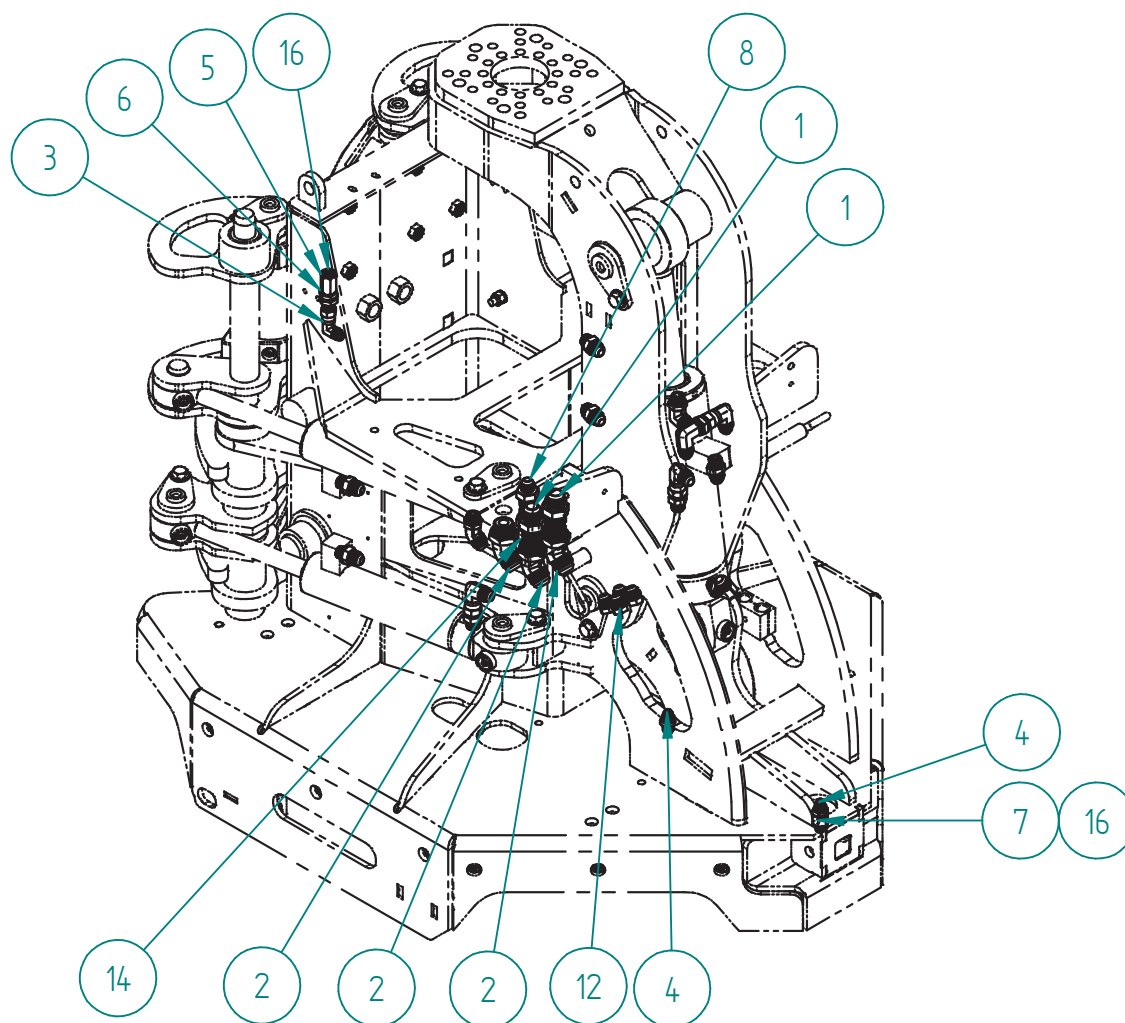
Grupp / Section 13  
Sida / Page 32

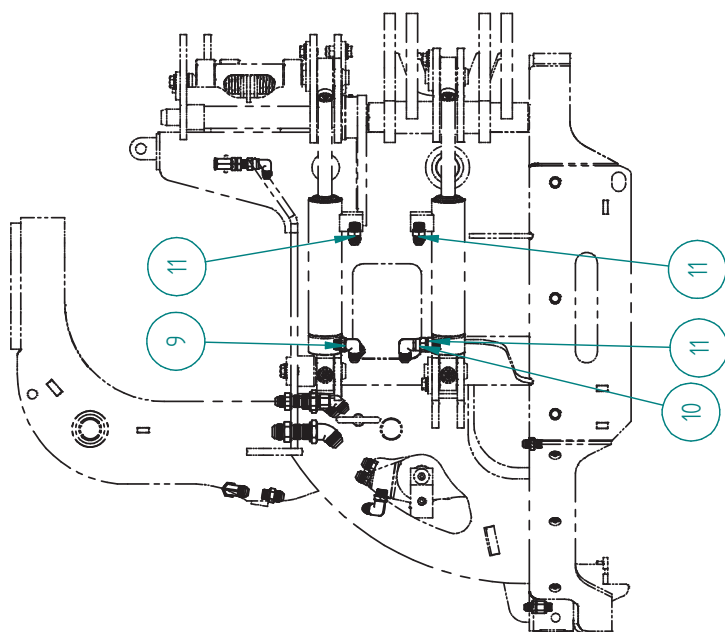
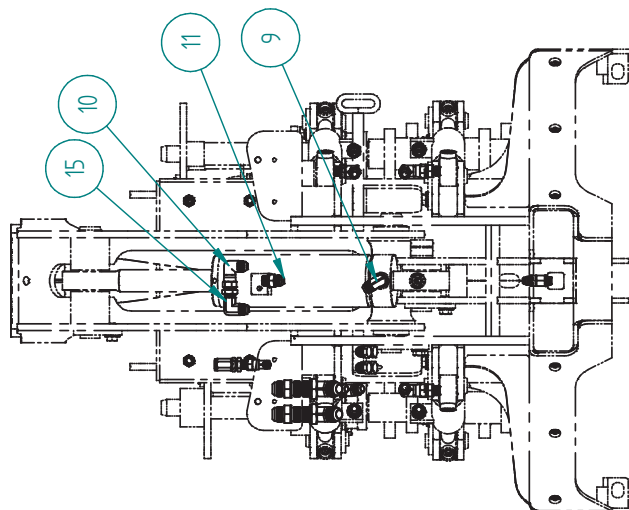
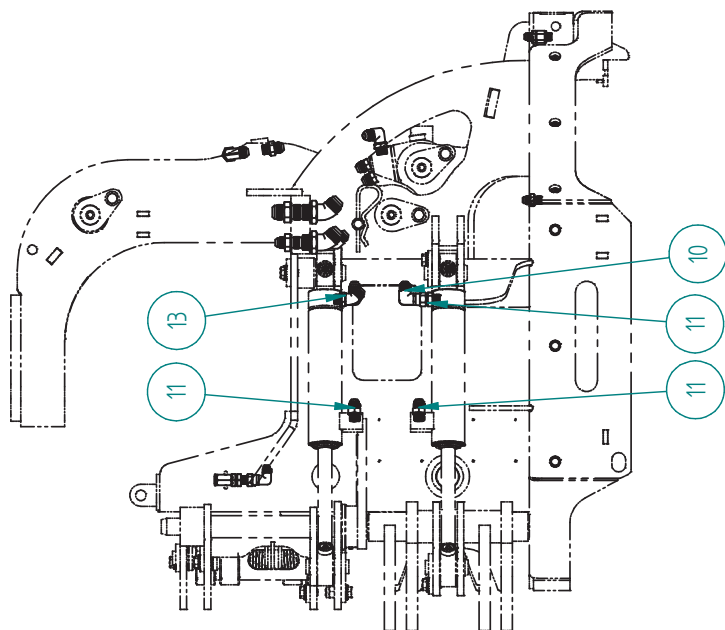




## Nipplesats, chassi / Adapter kit, frame

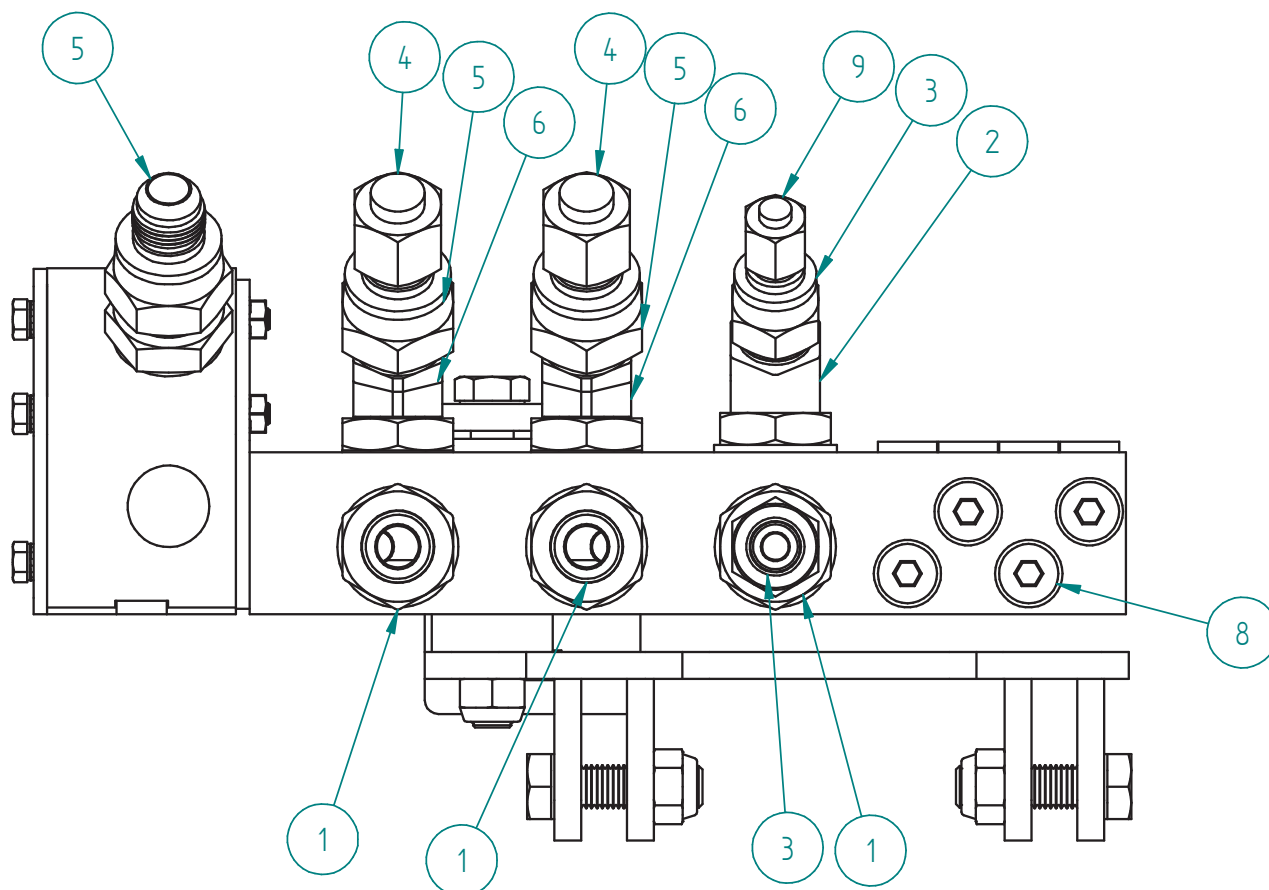
Pos. Item	Antal Qty	Reservdelnummer Part Number	Benämning	Name
1	2	12F42XS	Rak kpl, Jic 1,1/16-12 - R3/4	Str. adapter, Jic 1,1/16 - R3/4
2	3	12V40XS	Ställbar 45°, Jic 1 1/16-12 - R3/4	45° adapter, Jic 1 1/16 - R3/4
3	1	6C6XS	90° Vinkelkoppling, JIC 9/16-18	90° adapter, JIC 9/16-18
4	2	6F42XS	Rak kpl, Jic 9/16-18 - R1/4	Str. adapter, Jic 9/16 - R1/4
5	1	6TT4XS	Koppling, Jic 9/16-18 - R1/4	Str. adapter, Jic 9/16 - R1/4
6	1	6WTX-WLNS	Skottgenomgång, rak JIC 9/16	Str. Bulkhead, JIC 9/16-18
7	1	705-04-04	Adapter, R1/4"X R1/4"	Adapter, R1/4"X R1/4"
8	2	8-8F42XS	Rak kpl, utv Jic 3/4-16 - utv R1/2	Str. adapter, Jic 3/4-16 - R1/2
9	2	8C40XS	Ställbar 90° kpl, Jic 3/4-16 - R3/8	90° adapter, Jic 3/4-16 - R3/8
10	3	8C6XS	90° Vinkelkoppling, JIC 3/4-16	90° adapter, JIC 3/4-16
11	7	8F42XS	Rak koppling, Jic 3/4-16 - R3/8	Str. adapter, Jic 3/4-16 - R3/8
12	4	8PNTXS	Plugg, R3/8"	Plug, R3/8"
13	1	8V40XS	Ställbar 45° kpl, Jic 3/4-16 - R3/8	45° adapter, Jic 3/4-16 - R3/8
14	1	8V6XS	45° vinkelkoppling, Jic 3/4-16	45° adapter, Jic 3/4-16
15	1	8WETX-WLNS	Skottgenomgång, 90° JIC 3/4-16	90° bulkhead adapter, JIC 3/4
16	2	Tredo14	Tredotätning, R1/4"	Tredo seal, R1/4"





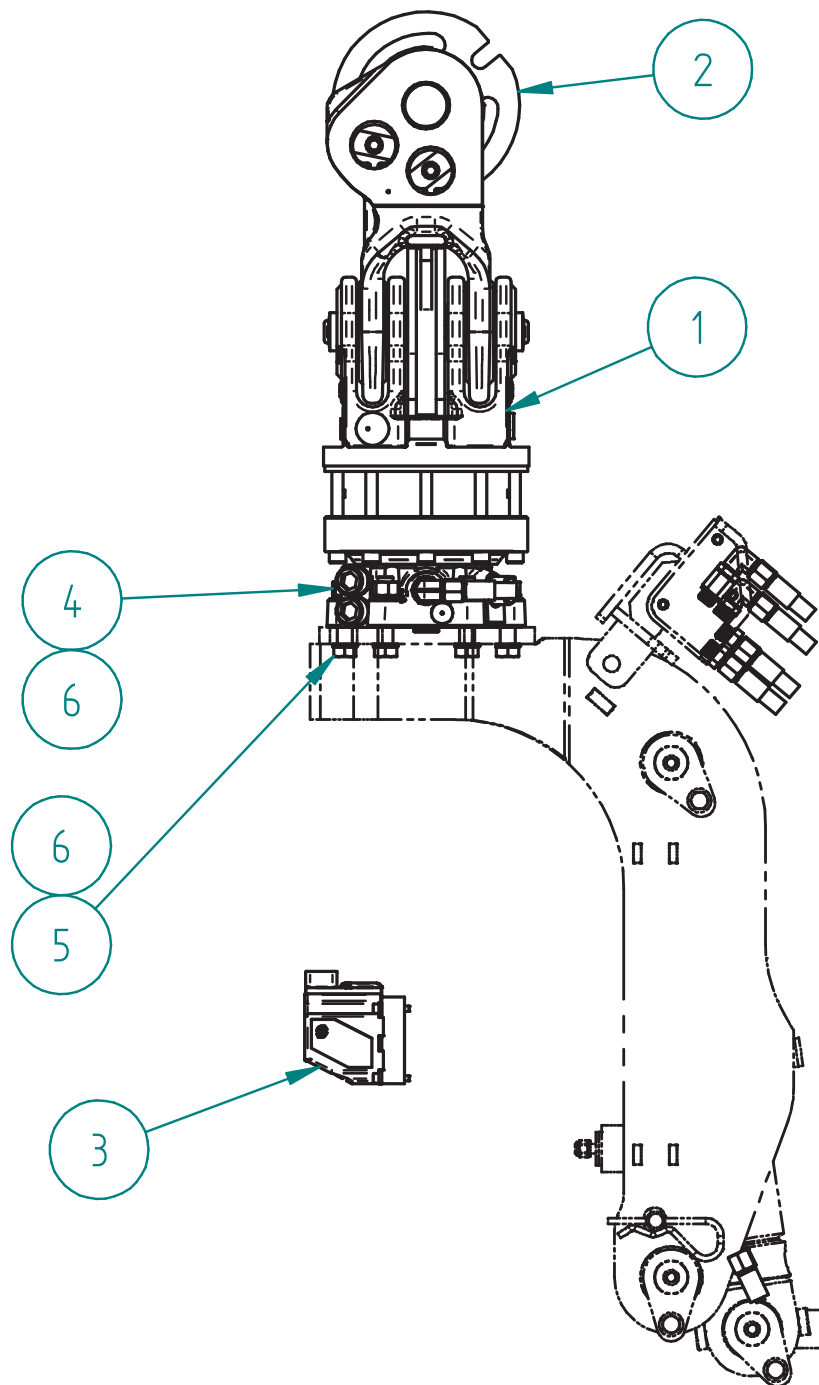
## Nipplesats, skarvblock / Adapter kit, connection block

Pos. Item	Antal Qty	Reservdelsnummer Part Number	Benämning	Name
1	3	12-16F42XS	Rak kpl, Jic 1,1/16-12 - R1	Str. adapter, Jic 1,1/16-12 - R1
2	1	12-16V40XS	Ställbar 45°, Jic 1 1/16-12 - R1	45° adapter, Jic 1 1/16-12 - R1
3	2	12-8TRTXS	Reducering, JIC 1 1/16 - JIC 3/4	Adapter, JIC 1 1/16 - JIC 3/4
4	2	12FNXTXS	Blindmutter, inv JIC 1 1/16-12	Cap plug, JIC 1 1/16-12
5	3	16-12TRTXS	Reduc., JIC 1 5/16 - JIC 1 1/16	Adapter, JIC 1 5/16 - JIC 1 1/16
6	2	16V40XS	Ställbar 45°, Jic 1 5/16-12 - R1	45° adapter, Jic 1 5/16-12 - R1
7	3	600022	Plugg, VSTI R1/4"-ED	Plug, VSTI R1/4"-ED
8	8	600023	Plugg, VSTI R3/8"-ED	Plug, VSTI R3/8"-ED
9	1	8FNXTXS	Blindmutter, inv JIC 3/4-16	Cap plug, JIC 3/4-16



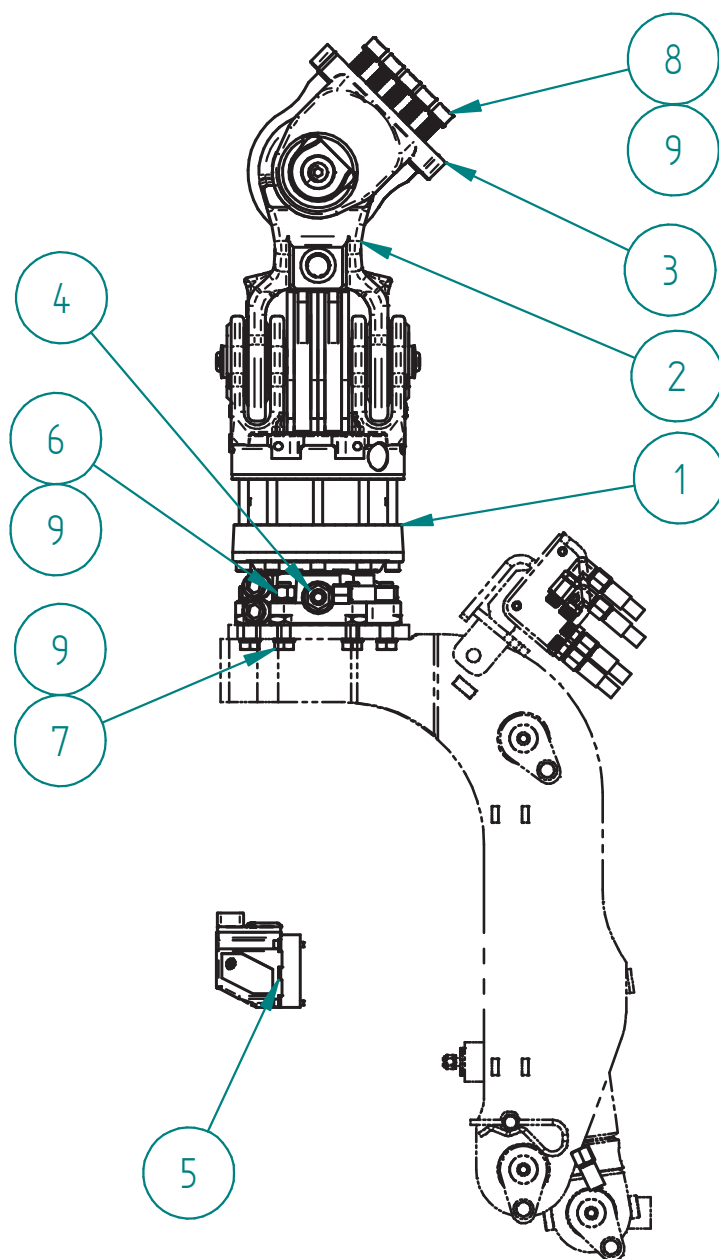
## Rotatorsats H101 / Rotator kit, H101

Pos. Item	Antal Qty	Reservdelsnummer Part Number	Benämning	Name
1	1	800883	Rotator H101	Rotator H101
2	1	800884	Svängd. Dubbel MPB1-80/45	Brake link, MPB1-80/45
3	1	C56023	Rot. Styr. från C16 mont.sats	Rot. control from C16 inst. kit
4	6	M6M16	Mutter	Nut
5	6	M6SM16x75A	Skruv	Bolt
6	12	NLM16	Nord-Lock bricka, M16	Lockwasher, M16



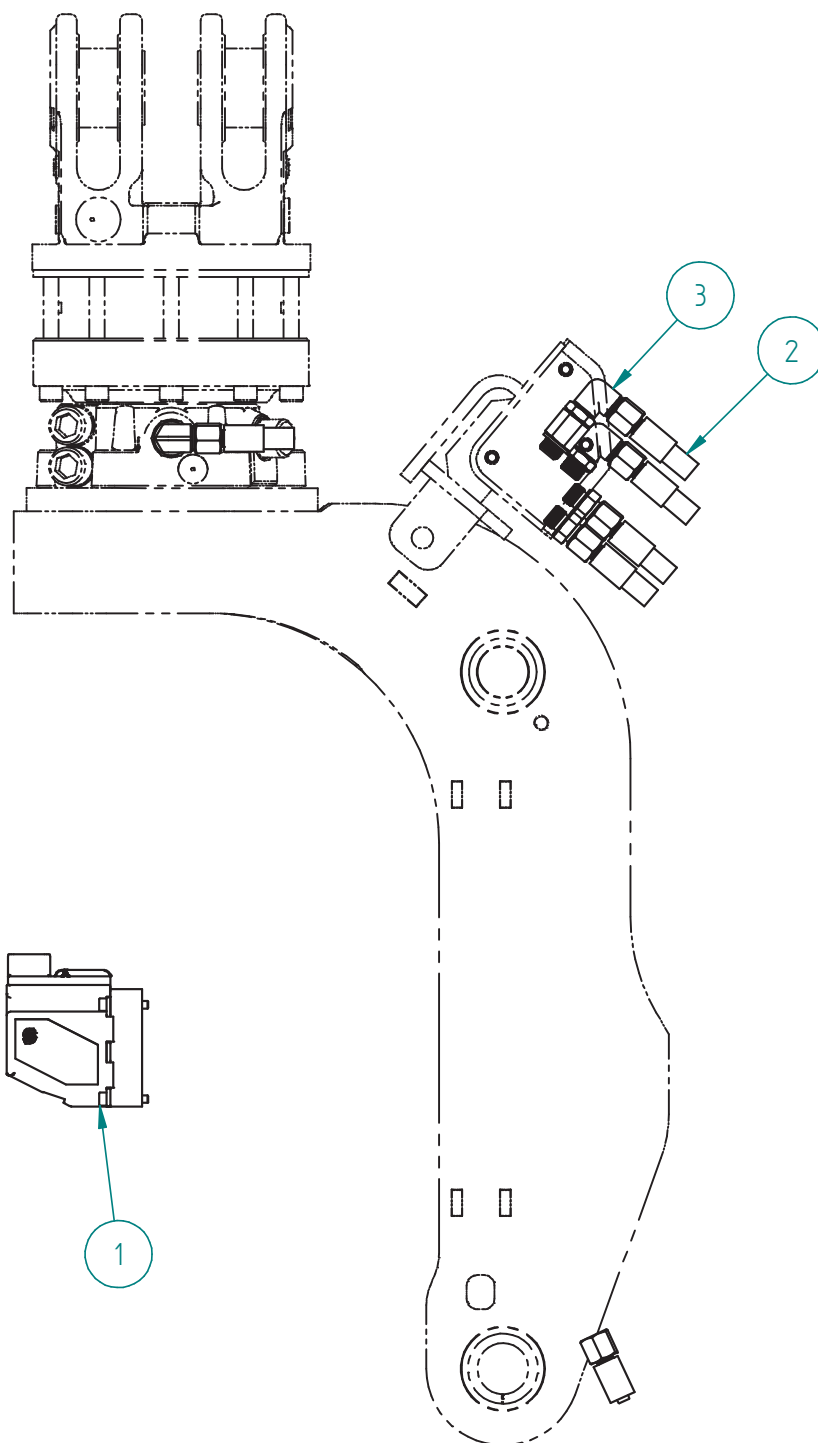
## Rotatorsats H122 / Rotator kit, H122

Pos. Item	Antal Qty	Reservdelsnummer Part Number	Benämning	Name
1	1	800885	Rotator H 122	Rotator H 122
2	1	800886	Svängd. Dubbel MPB2-2 KPL.	Brake link MPB2-2
3	1	800887	Krannos MPB2	Crane tip MPB2
4	1	801253	Adaptersats rotator H 122	Adapter kit, rotator H 122
5	1	C56023	Rot. Styr. från C16 mont.sats	Rot. control from C16 inst. kit
6	6	M6M16	Mutter	Nut
7	6	M6SM16x75A	Skruv	Bolt
8	10	MC6SM16X60B	Insexskruv, 12.9	Socket head screw
9	22	NLM16	Nord-Lock bricka, M16	Lockwasher, M16



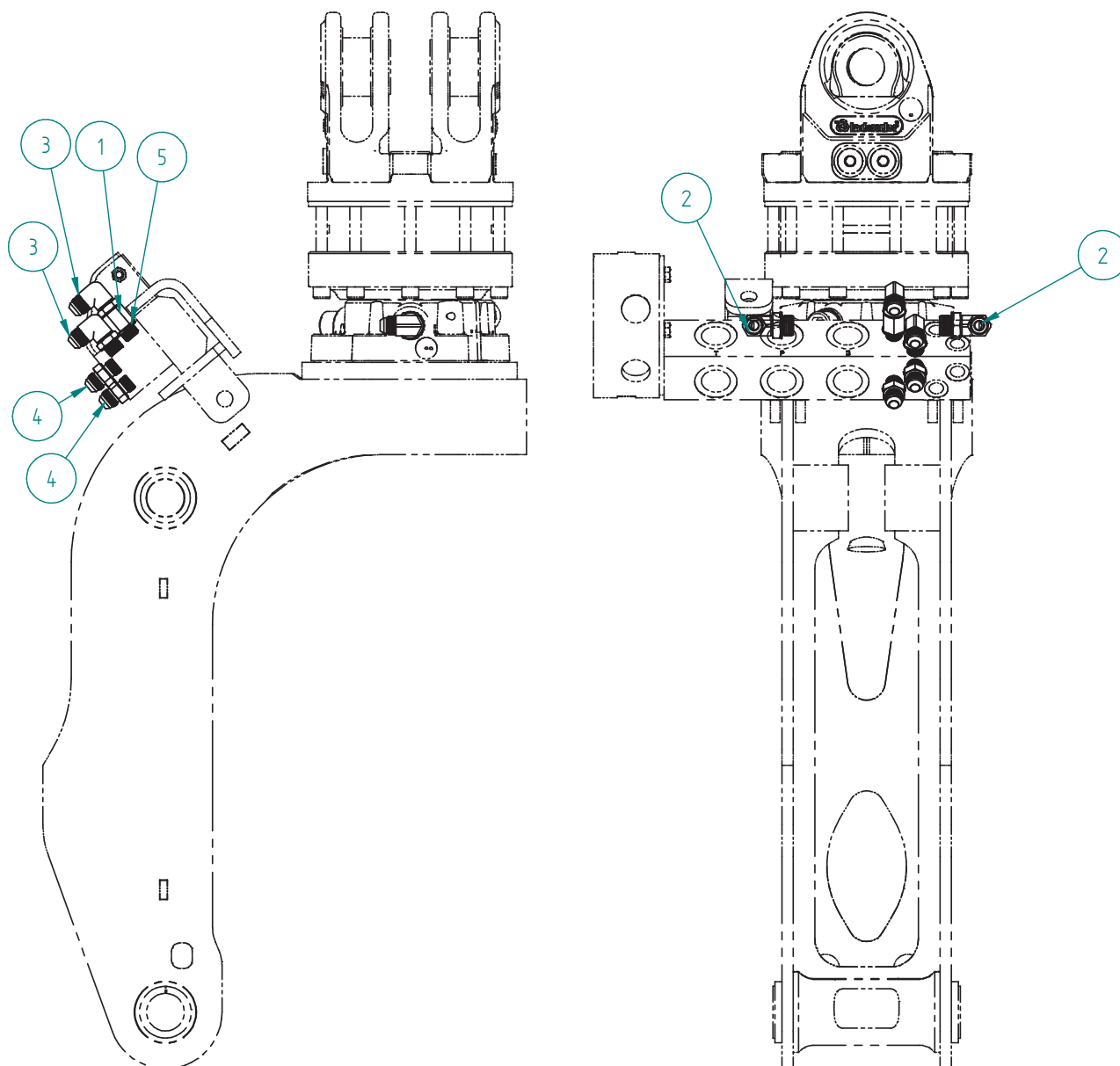
## Rotator styrning från C16 mont. sats / Rotator control from C16 inst. kit

Pos. Item	Antal Qty	Reservdelsnummer Part Number	Benämning	Name
1	1	157B4128	Elmodul PVEM, prop., 24V	Electrical module, prop., 24V
2	1	C55971	Slangsats, rotator	Hose kit, rotator
3	1	C56022	Nippelsats, rotator	Adapter kit, rotator
4	1,7 m	Spiral32-m	Skyddsspiral, 32 mm	Hose protection



## Nippelsats, rotator / Adapter kit, rotator

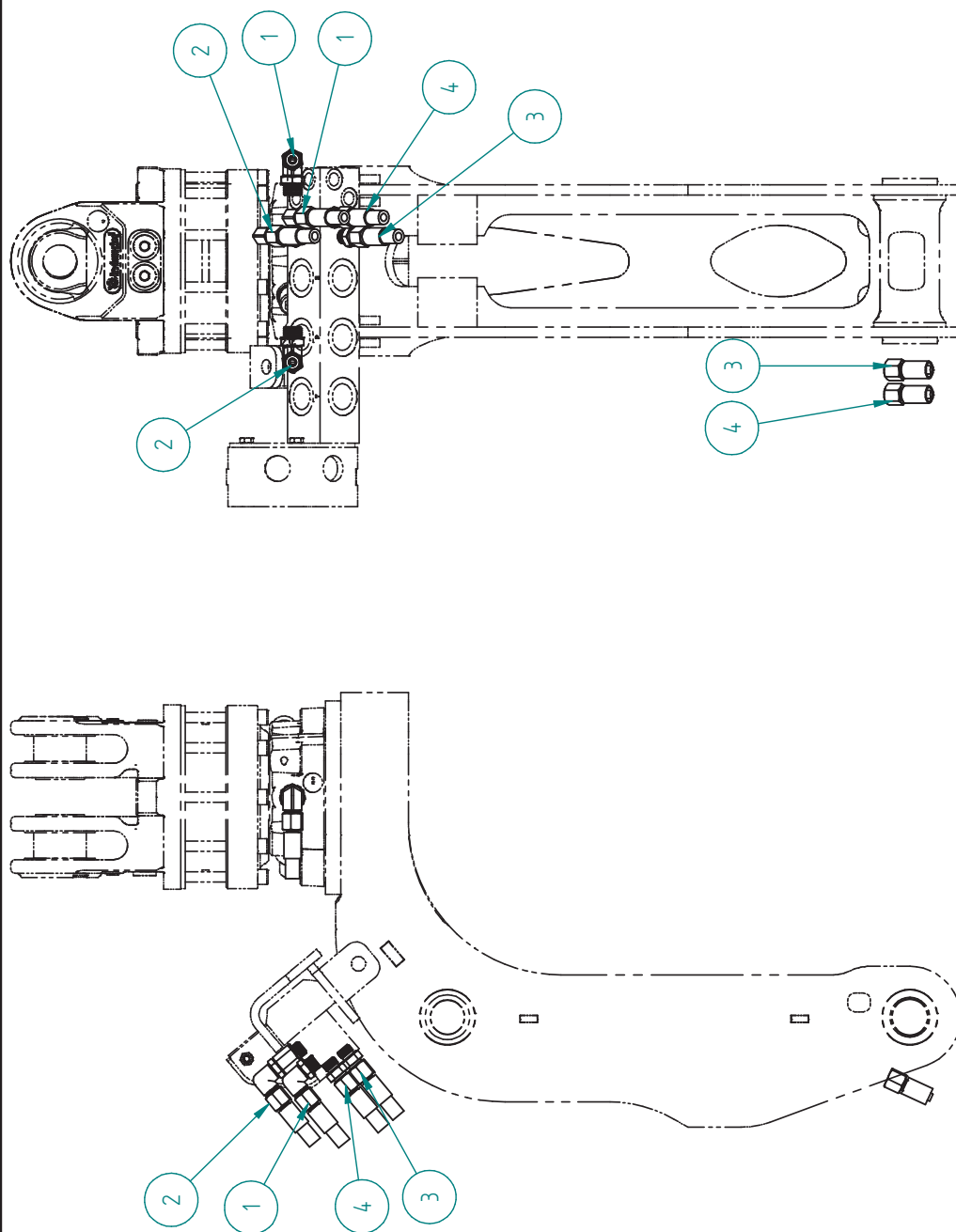
Pos. Item	Antal Qty	Reservdelsnummer Part Number	Benämning	Name
1	1	705-06-06	Adapter, R3/8"X R3/8"	Adapter, R3/8"X R3/8"
2	2	8-8C40XS	Ställbar 90°, Jic 3/4-16 - R1/2	90° adapter, Jic 3/4-16 - R1/2
3	2	8C40XS	Ställbar 90°, Jic 3/4-16 - R3/8	90° adapter, Jic 3/4-16 - R3/8





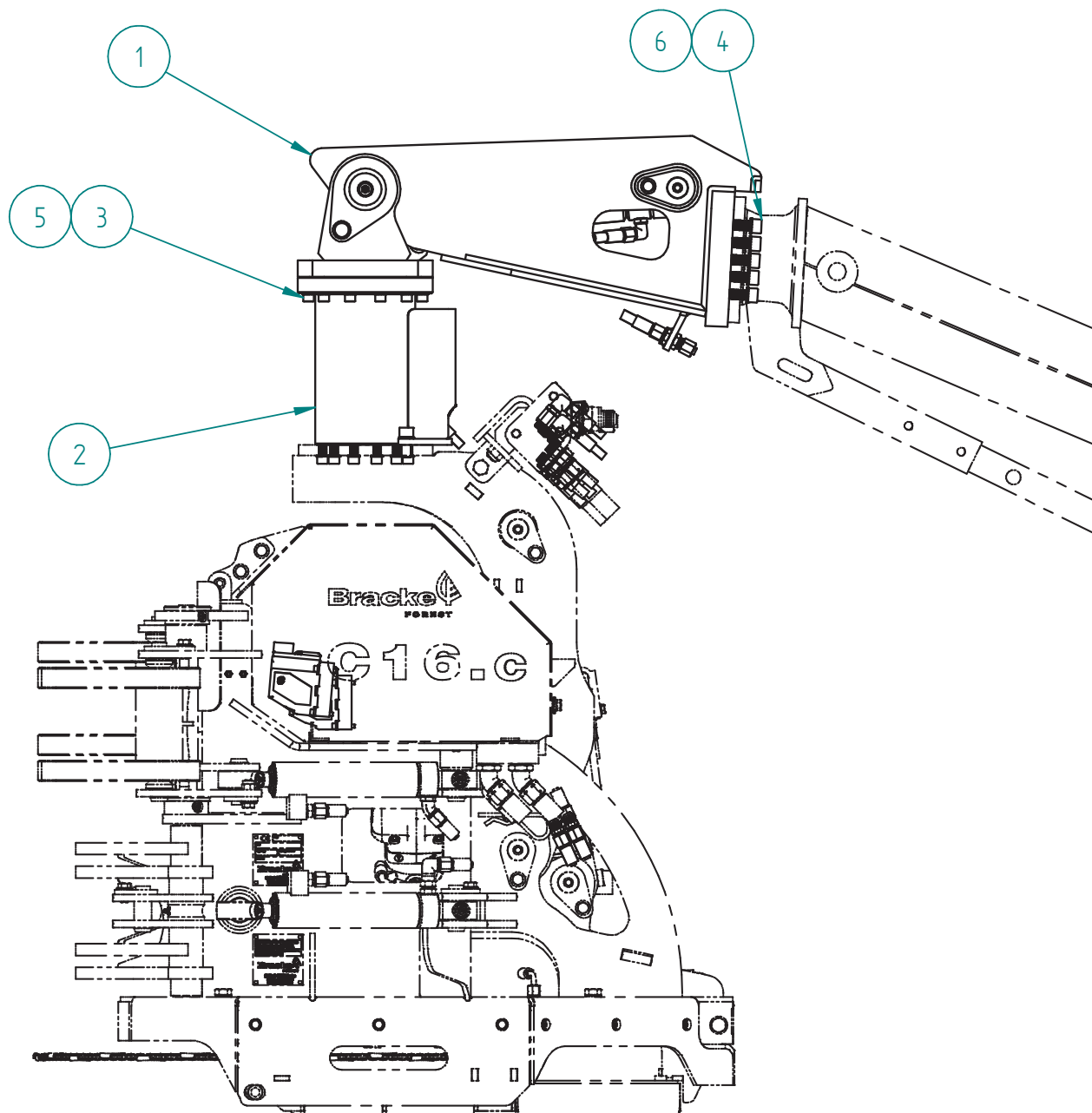
## Slangats, rotator / Hose kit, rotator

Pos.	Anf. tal	Ritn. nr.	Benämning	Stängdjm	Stängtyp	Slang kaplängd (mm)	Längd i t. h. ytor (mm)	Koppling 1	Koppling 2	Hylsa
1	1	C55971-1	Rotator A-Port	3/8"	4880-06	800	835	Rak JIC 4521-08-06	Rak JIC 4521-08-06	2610-06
2	1	C55971-2	Rotator B-Port	3/8"	4880-06	800	835	Rak JIC 4521-08-06	Rak JIC 4521-08-06	2610-06
3	1	C55971-3	Rotator B-Port	3/8"	4880-06	1100	1135	Rak JIC 4521-08-06	Rak JIC 4521-08-06	2610-06
4	1	C55971-4	Rotator A-Port	3/8"	4880-06	1100	1135	Rak JIC 4521-08-06	Rak JIC 4521-08-06	2610-06



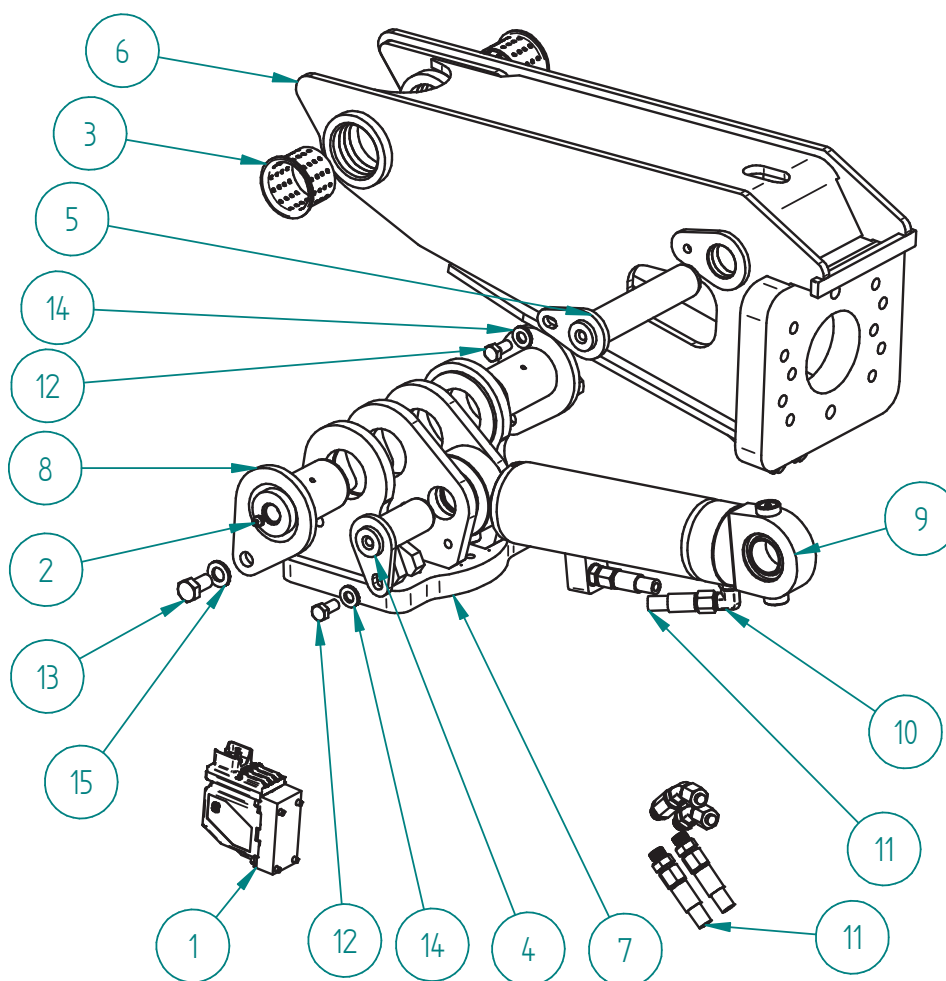
## Nivellering SMST / Levelling Assembly

Pos. / Item	Antal / Qty	Reservdelsnummer / Part Number	Benämning	Name
1	1	C55782	Nivelleringsats	Levelling kit
2	1	C55944	Vridjonsats	Rotary actuator kit
3	12	MC6SM12x50B	Insexskruv, 12.9	Socket head screw
4	10	MC6SM16X60B	Insexskruv, 12.9	Socket head screw
5	12	NLM12	Nord-Lock bricka, M12	Lockwasher, M12
6	10	NLM16	Nord-Lock bricka, M16	Lockwasher, M16



## Nivelleringsats / Levelling kit

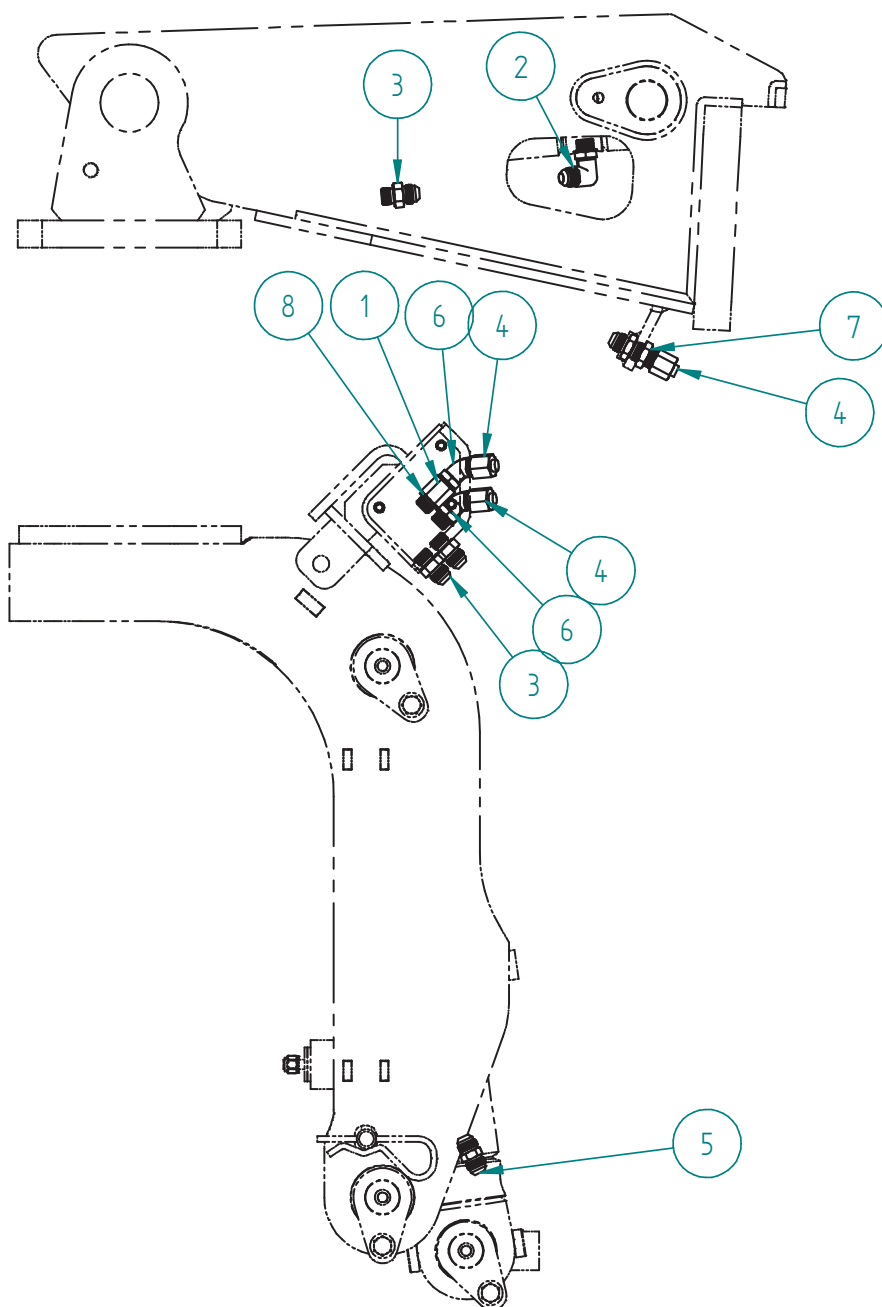
Pos. Item	Antal Qty	Reservdelsnummer Part Number	Benämning	Name
1	1	157B4428	Elmodul PVEM, prop., 24V, flyt	El. module, prop., 24V, float
2	2	800007	Smörjnippel KR 1/8 rak	Grease fitting
3	2	801034	Glidlager 60/65-50	Bushing 60/65-50
4	1	C55212	Tapp, D=40 L=87	Pin, D=40 L=87
5	1	C55214	Tapp, D=40 L=188	Pin, D=40 L=188
6	1	C55763	Nivelleringsstomme	Levelling frame
7	1	C55774	Vridjonsfäste	Rotary actuator bracket
8	2	C55880	Axel Ø60	Pin Ø60
9	1	C55920	Cylinder 80/40x160	Cylinder 80/40x160
10	1	C55932	Nippelsats, nivellering	Adapter kit, levelling
11	1	C55973	Slangsats, nivellering	Hose kit, levelling
12	2	M6SM12x25	Skruv	Bolt
13	2	M6SM16x30	Skruv	Bolt
14	2	NLM12SYD	Nord-Lock bricka, M12, stor Y.D.	Lockwasher, M12, large O.D.
15	2	NLM16SYD	Nordlock M 16, stor Y.D.	Lockwasher, M16, large O.D.
16	1,7 m	Spiral32-m	Skyddsspiral, 32 mm	Hose protection



	<h1>C16</h1> <p>Reservdelar / Spare parts</p>	C16_G13	151113
		<p>Grupp / Section 13</p> <p>Sida / Page 43</p>	

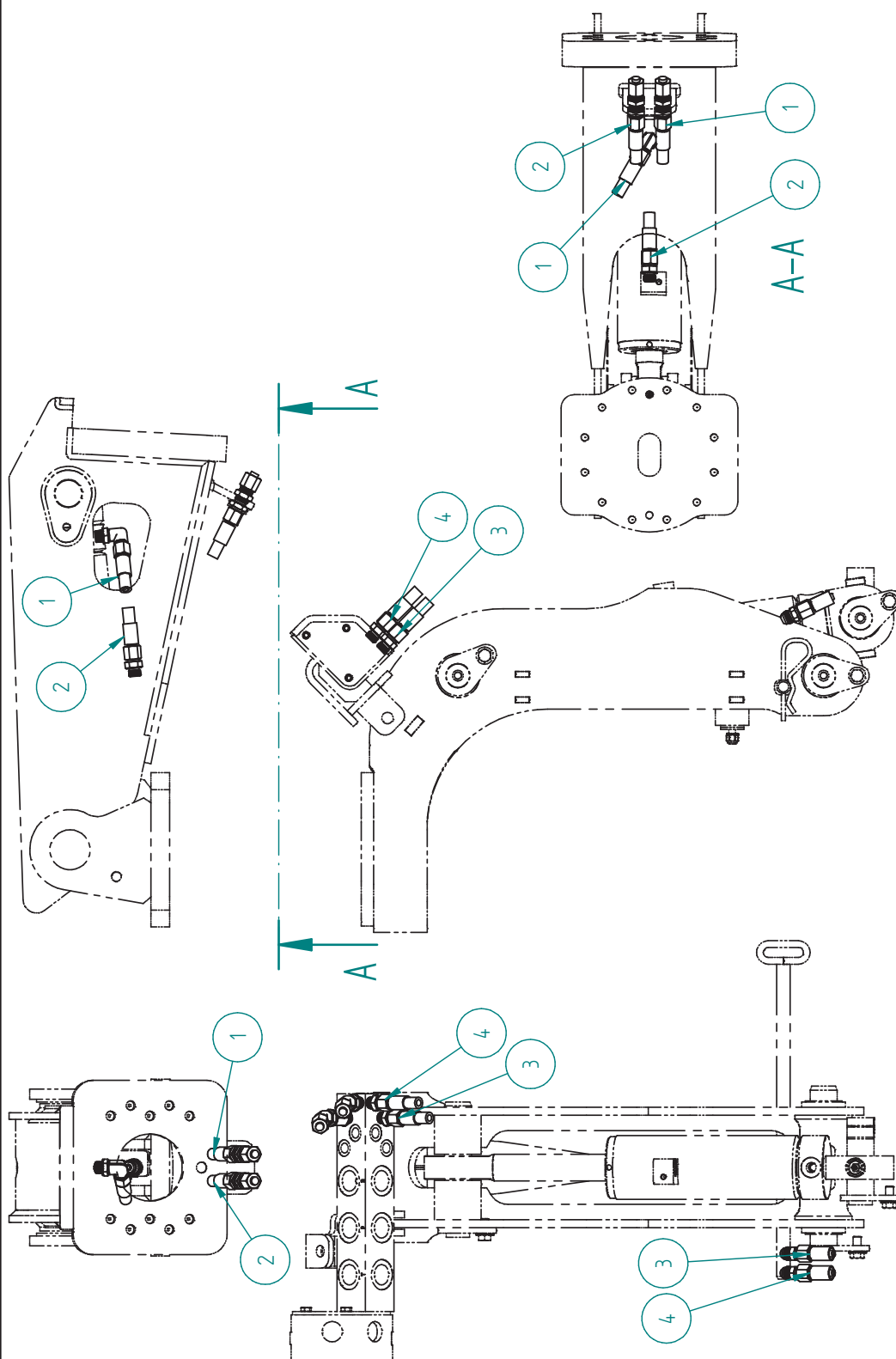
## Nippelsats, Nivellering / Adapter kit, Levelling

Pos.	Antal	Reservdelsnummer	Benämning	Name
Item	Qty	Part Number		
1	1	705-06-06	Adapter, R3/8"X R3/8"	Adapter, R3/8"X R3/8"
2	1	8C40XS	Ställbar 90°, Jic 3/4-16 - R3/8	90° adapter, Jic 3/4-16 - R3/8
3	3	8F42XS	Rak koppling, Jic 3/4-16 - R3/8	Str. adapter, Jic 3/4-16 - R3/8
4	4	8FNTXS	Blindmutter, inv JIC 3/4-16	Cap plug, JIC 3/4-16
5	2	8HTXS	Rak skarv kpl., Jic 3/4 - Jic 3/4	Str. adapter Jic 3/4 - Jic 3/4
6	2	8V40XS	Ställbar 45°, Jic 3/4-16 - R3/8	45° adapter, Jic 3/4-16 - R3/8
7	2	8WTX-WLNS	Skottgenomgång, rak JIC 3/4-16	Bulkhead adapter, str, JIC 3/4
8	1	Tredo16	Tredotätning, R3/8"	Tredo seal, R3/8"



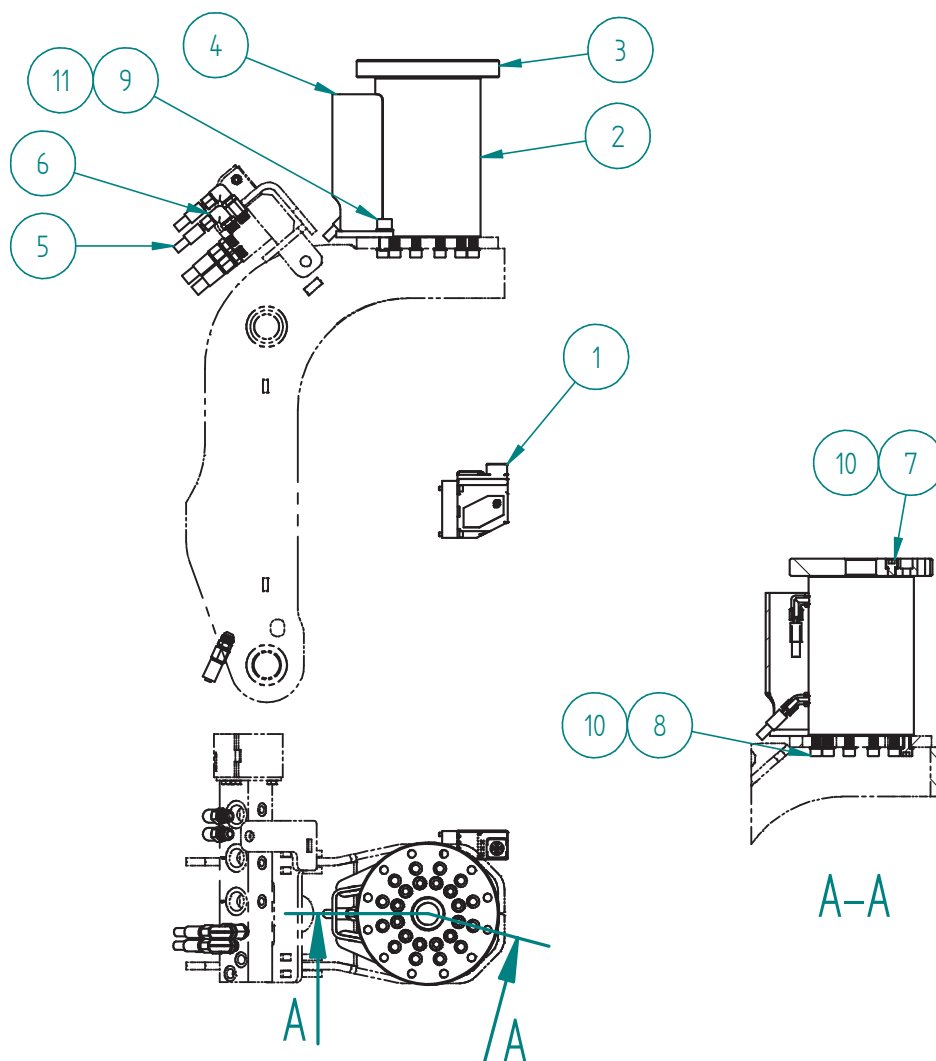
# Slangats, Nivellering / Hose kit, Levelling

Pos.	Antal	Ritidnr.	Benämning	Slangdäm	Slangtyp	Slang kläplängd (mm)	Längd från yttre (mm)	Koppling 1	Koppling 2	Hylsa
1	1	C55973-1	Nivellering ut	3/8"	4880-06	500	535	Rak JIC 4521-08-06	Rak JIC 4521-08-06	2610-06
2	1	C55973-2	Nivellering i	3/8"	4880-06	800	835	Rak JIC 4521-08-06	Rak JIC 4521-08-06	2610-06
3	1	C55973-3	Nivellering B-Port	3/8"	4880-06	1100	1135	Rak JIC 4521-08-06	Rak JIC 4521-08-06	2610-06
4	1	C55973-4	Nivellering A-Port	3/8"	4880-06	1100	1135	Rak JIC 4521-08-06	Rak JIC 4521-08-06	2610-06



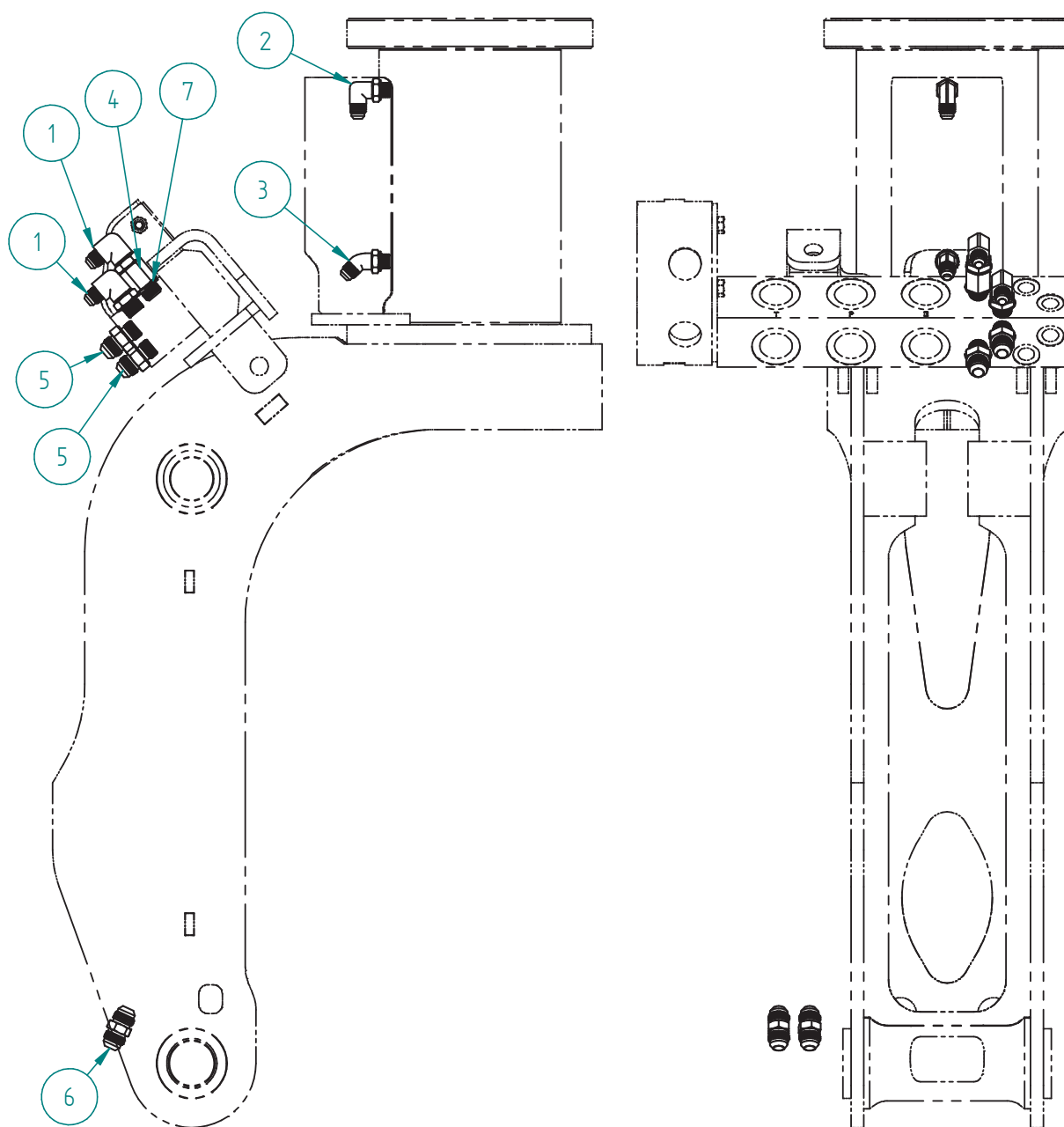
## Vridbonsats / Rotary Actuator kit

Pos. Item	Antal Qty	Reservdelsnummer Part Number	Benämning	Name
1	1	157B4128	Elmodul PVEM, prop., 24V	Electrical module, prop., 24V
2	1	800980	Vridbon, metric	Rotary actuator, metric
3	1	C55433	Adapterplatta	Adapter plate
4	1	C55948	Slangkopplingskydd vridbon	Hose guard
5	1	C55972	Slangsats, Vridbon	Hose kit, rotary actuator
6	1	C55983	Nipplesats, Vridbon	Adapter kit, rotary actuator
7	12	MC6SM12X30B	Insexskruv	Socket head screw
8	12	MC6SM12X40B	Insexskruv, 12.9	Socket head screw
9	2	MC6SM16X35	Insexskruv, 8,8	Socket head screw
10	24	NLM12	Nord-Lock bricka, M12	Lockwasher, M12
11	2	NLM16	Nord-Lock bricka, M16	Lockwasher, M16
12	1,7 m	Spiral32-m	Skyddsspiral, 32 mm	Hose protection



## Nipplesats, Vriddon / Adapter kit, Rotary Actuator

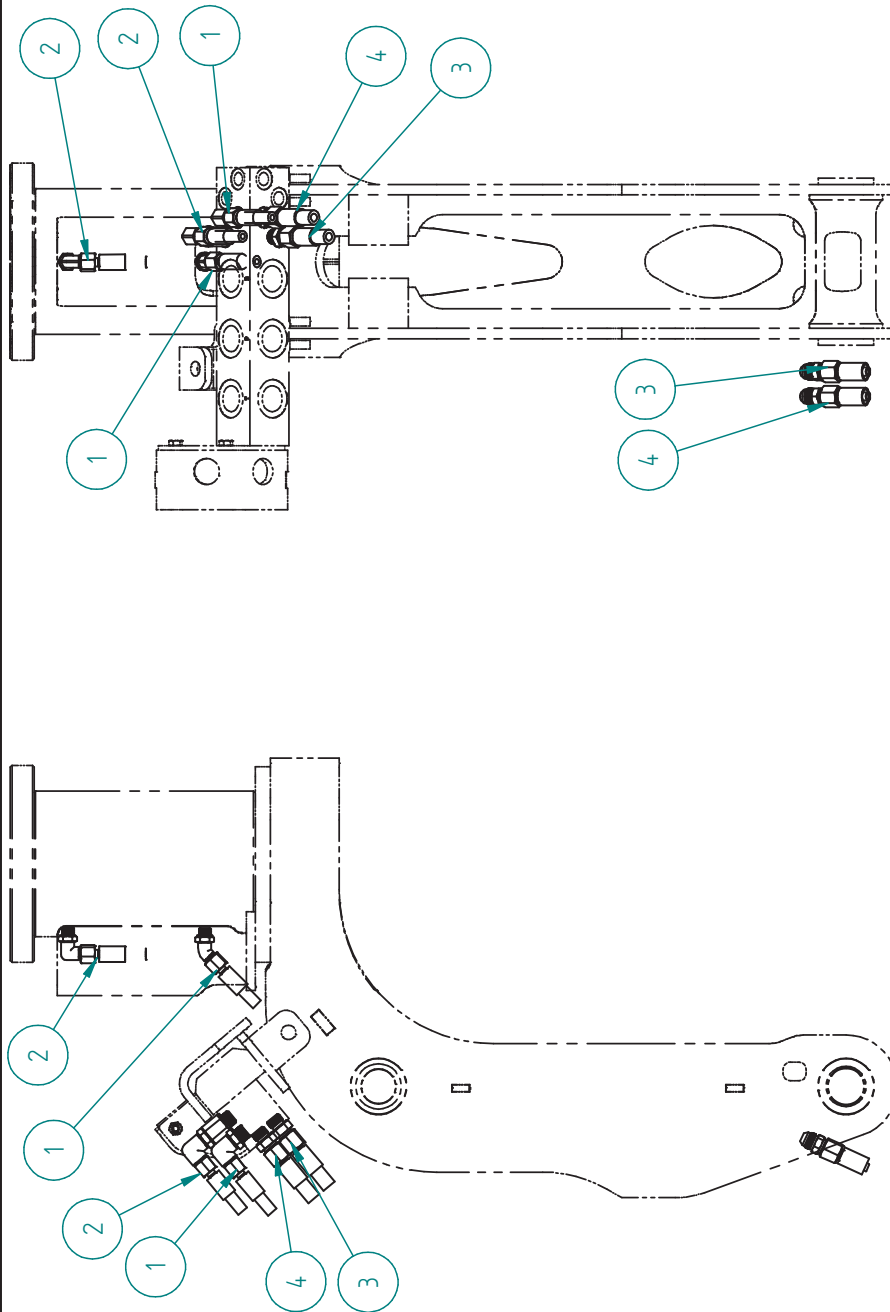
Pos. Item	Antal Qty	Reservdelsnummer Part Number	Benämning	Name
1	2	6-6C40XS	Ställbar 90° kpl, Jic 9/16 - R3/8	90° adapter, Jic 9/16 - R3/8
2	1	6C40XS	Ställbar 90° kpl, Jic 9/16 - R1/4	90° adapter, Jic 9/16 - R1/4
3	1	6V40XS	Ställbar 45° kpl, Jic 9/16 - R1/4	45° adapter, Jic 9/16 - R1/4
4	1	705-06-06	Adapter, R3/8"X R3/8"	Adapter, R3/8"X R3/8"
5	2	8F42XS	Rak koppling, Jic 3/4 - R3/8	Str. adapter, Jic 3/4 - R3/8
6	2	8HTXS	Rak skarv. kpl., Jic 3/4 - Jic 3/4	Str. adapter Jic 3/4 - Jic 3/4
7	1	Tredo16	Tredotätning, R3/8"	Tredo seal, R3/8"



	<h1>C16</h1> <p>Reservdelar / Spare parts</p>	C16_G13	151113
		<p>Grupp / Section 13</p> <p>Sida / Page 47</p>	

# Slangsats, Vriddon / Hose kit, Rotary Actuator

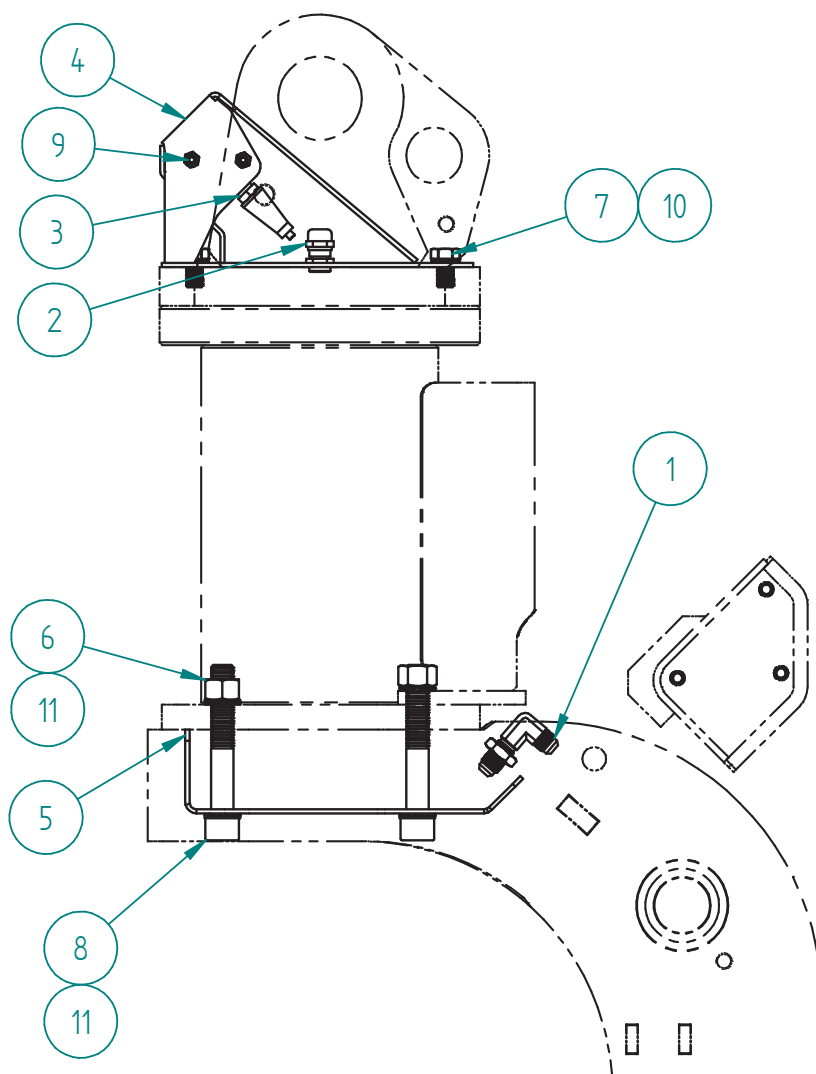
Pos.	Antal	Ritnr.	Benamning	Slangdim	Slangtyp	Slang-kopplängd (mm)	Längd från yttor (mm)	Koppling 1	Koppling 2	Hylsa
1	1	C55972-1	Vriddon A-Port	1/4"	4880-04	700	735	Rak JIC 4521-06-04	Rak JIC 4521-06-04	2610-04
2	1	C55972-2	Vriddon B-Port	1/4"	4880-04	850	885	Rak JIC 4521-06-04	Rak JIC 4521-06-04	2610-04
3	1	C55972-3	Vriddon B-Port	3/8"	4880-06	1100	1135	Rak JIC 4521-08-06	Rak JIC 4521-08-06	2610-06
4	1	C55972-4	Vriddon A-Port	3/8"	4880-06	1100	1135	Rak JIC 4521-08-06	Rak JIC 4521-08-06	2610-06





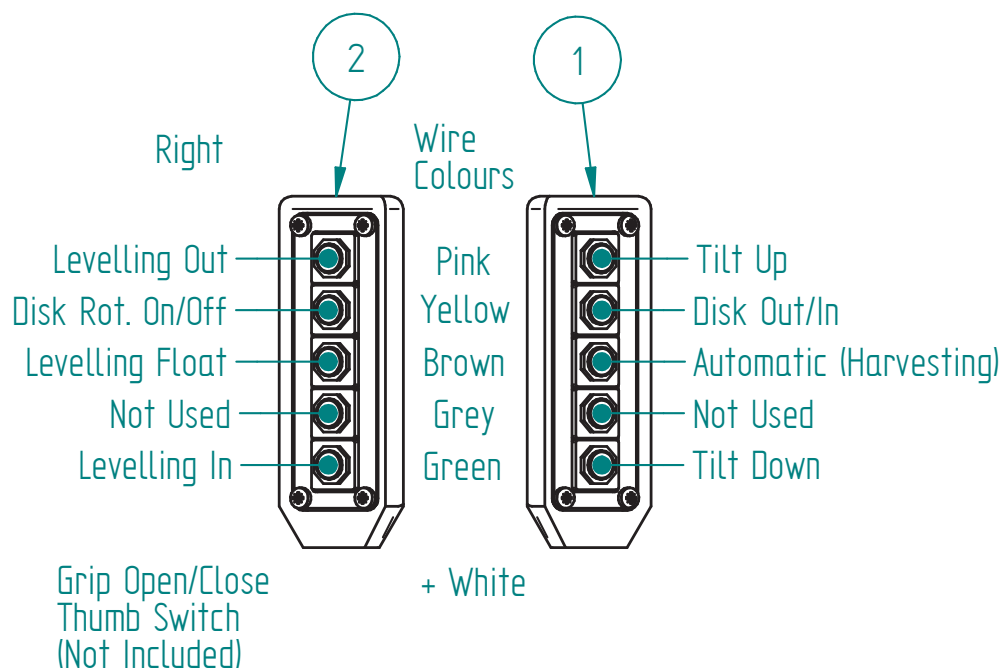
## Lutningsgivare SMST / Levelling Sensor kit

Pos. Item	Antal Qty	Reservdelsnummer Part Number	Benämning	Name
1	1	6WETX-WLNS	Skottgenomgång, 90° JIC 9/16	90° bulkhead, JIC 9/16
2	1	800147	Förskruvning Pg9	Cable gland
3	1	801201	Lutningsgivare	Levelling sensor
4	1	C56004	Fäste, lutningsgivare	Levelling sensor bracket
5	1	C56007	Skyddsplåt	Protective plate
6	4	M6M16	Mutter	Nut
7	2	M6SM12x20	Skruv	Bolt
8	4	MC6SM16X110B	Insexskruv, 12.9	Socket head screw
9	2	MC6SM5X55	Insexskruv, 8.8	Socket head screw
10	2	NLM12	Nord-Lock bricka, M12	Lockwasher, M12
11	8	NLM16	Nord-Lock bricka, M16	Lockwasher, M16



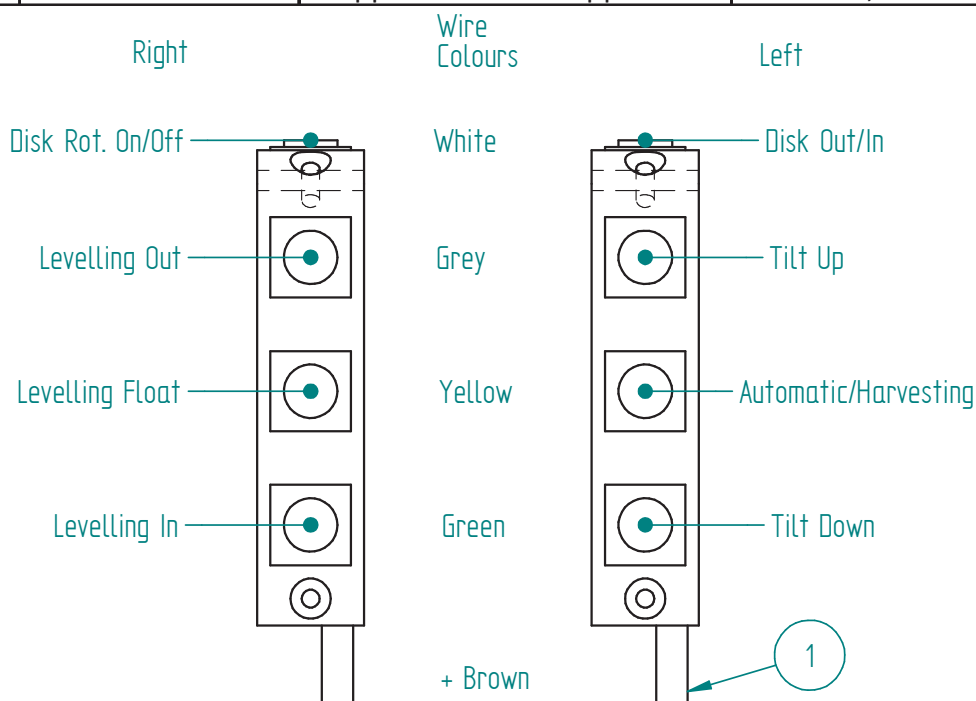
## Minispakarsats, 5 knapp / Mini Levers, 5 buttons

Pos.	Antal	Reservdelsnummer	Benämning	Name
Item	Qty	Part Number		
1	1	C55460	Manöverspak C16 vänster	Mini lever, left
2	1	C55921	Manöverspak C16 höger	Mini lever, right



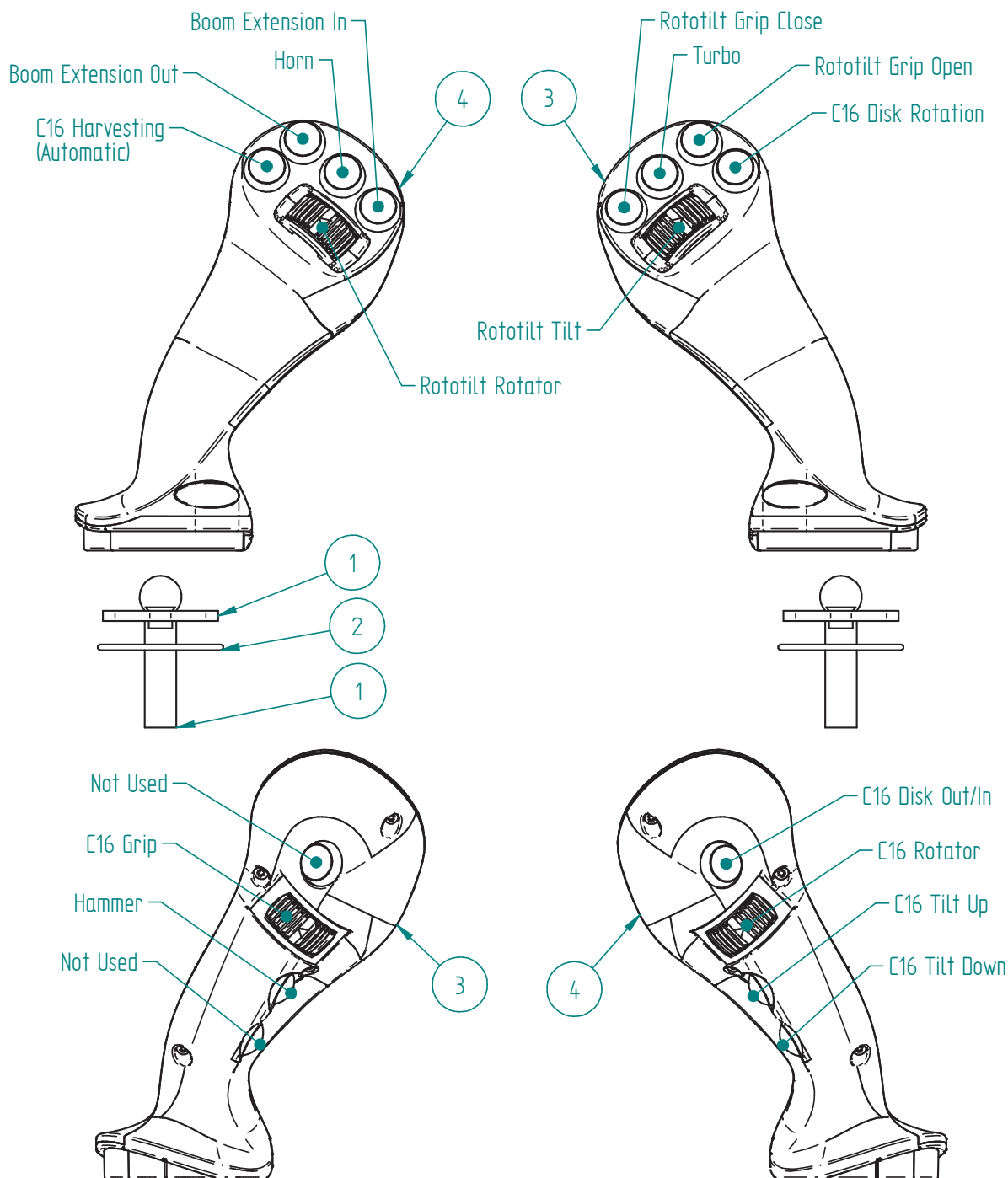
## Knappsats, 4 knapp / Button kit, 4 buttons

Pos.	Antal	Reservdelsnummer	Benämning	Name
Item	Qty	Part Number		
1	2	801003	Knappsats Mini 4-knapp Touch	Button kit, 4 button



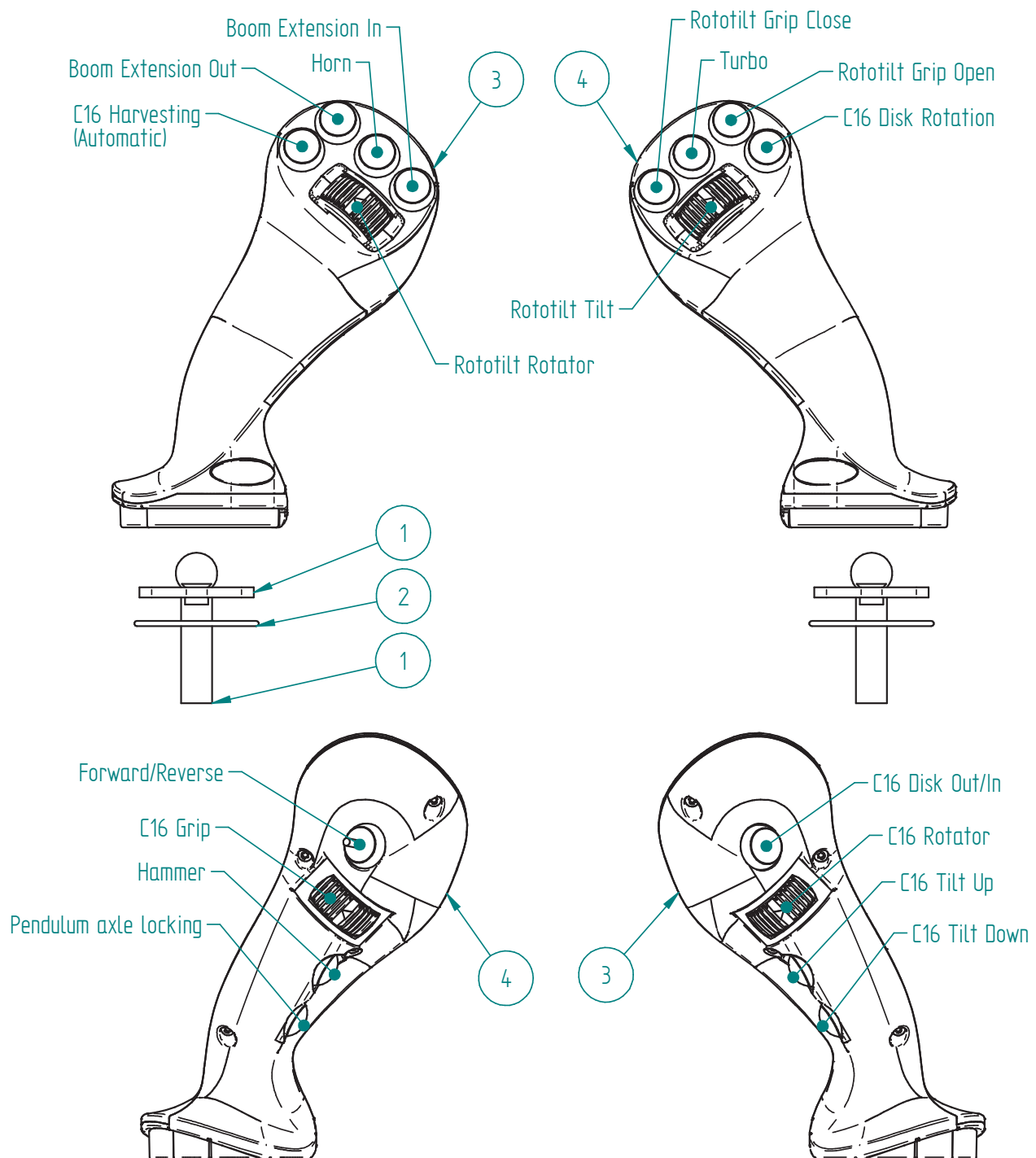
# Spakar, bandgrävare / Levers, tracked excavator

Pos. Item	Antal Qty	Reservdelsnummer Part Number	Benämning	Name
1	2	801029	Adapter M12, M14 & M14x1,5	Adapter M12, M14 & M14x1,5
2	2	801030	Bälgbrička med skruv	Bellows washer with screw
3	1	801031	Grip L8 Hö 7-knapp 2-rullar	Grip, right, 7-button 2-roller
4	1	801032	Grip L8 Vä 7-knapp 2-rullar	Grip, left, 7-button 2-roller



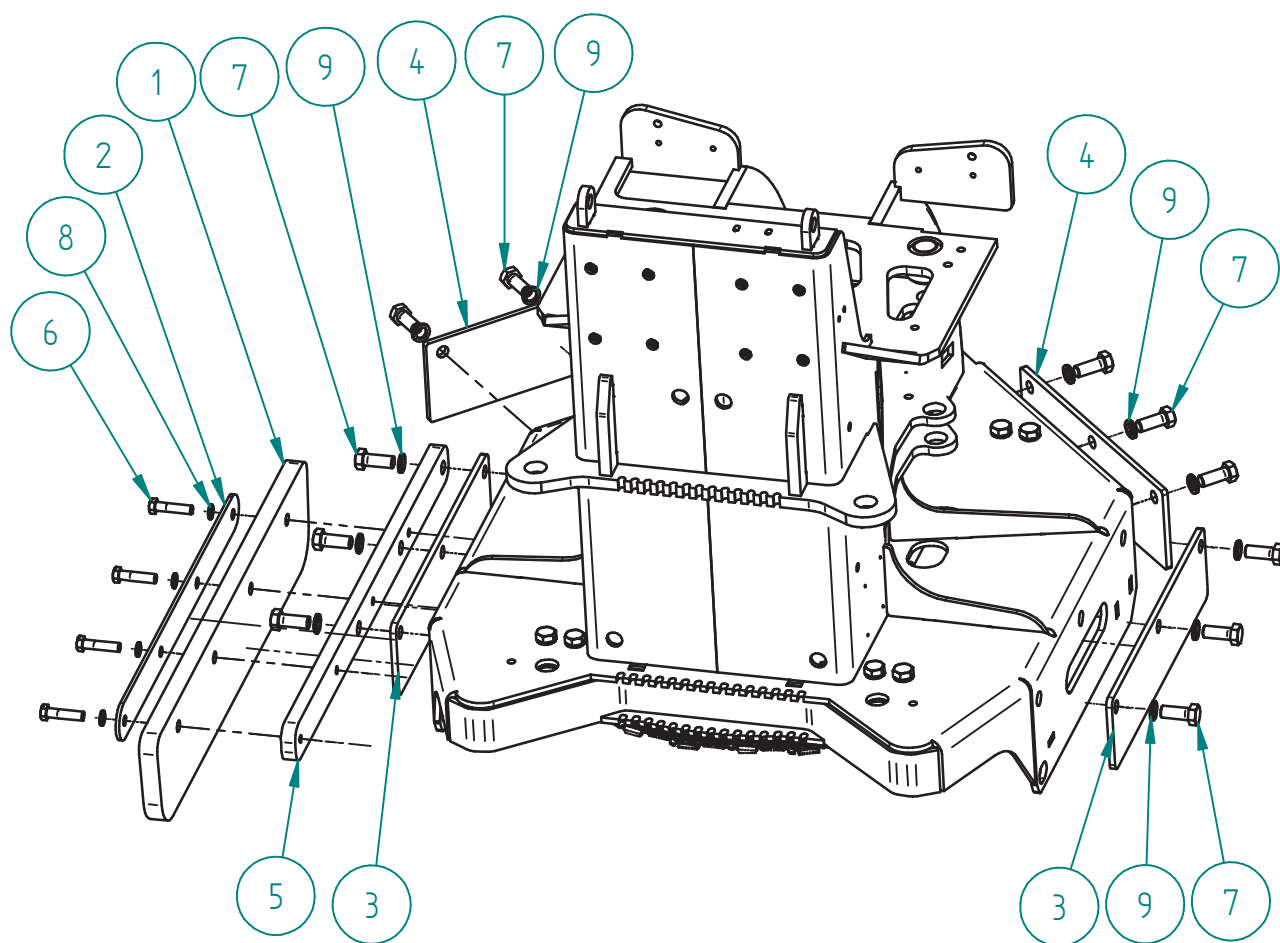
# Spakar, hjulgrävare / Levers, wheeled excavator

Pos. / Item	Antal / Qty	Reservdelsnummer / Part Number	Benämning	Name
1	2	801029	Adapter M12, M14 & M14x1,5	Adapter M12, M14 & M14x1,5
2	2	801030	Bälgrbricka med skruv	Bellows washer with screw
3	1	801032	Grip L8 Vä 7-knapp 2-rullar	Grip, left, 7-button 2-roller
4	1	801080	Grip L8 Hö 6-knapp 2-rullar	Grip, right, 6-button 2-roller



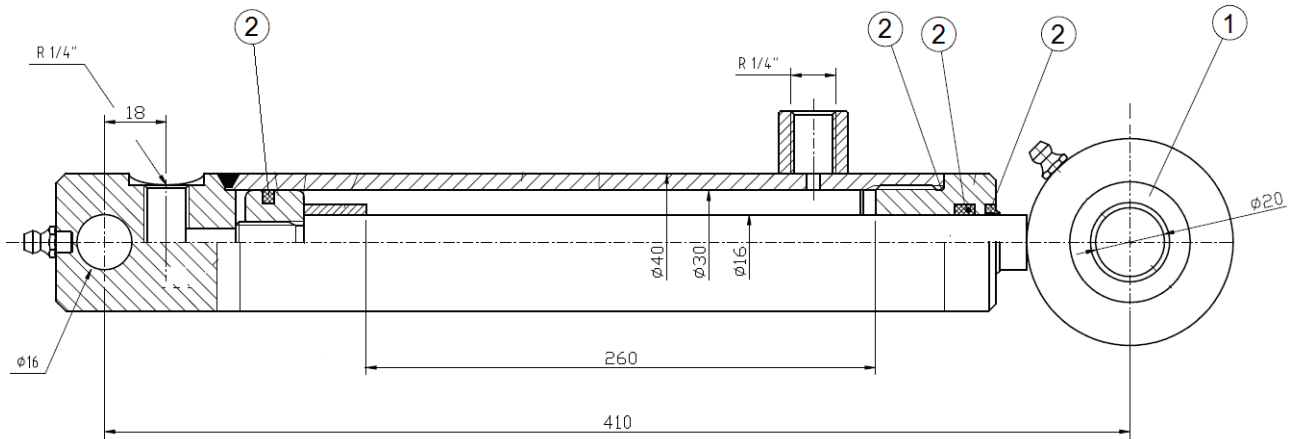
## Kedjeskottskydd / Chain shot protection

Pos. Item	Antal Qty	Reservdelsnummer Part Number	Benämning	Name
1	1	C55628	Gummiplatta	Rubber guard
2	1	C55633	Mothåll	Plate
3	2	C55934	Täckplåt	Cover plate
4	2	C55935	Täckplåt	Täckplåt
5	1	C55982	Distans	Spacer
6	4	M6SM12x50	Sexkantsskruv, 8.8 Fzb	Bolt
7	12	M6SM16x40	Skruv	Bolt
8	4	NLM12	Nord-Lock bricka, M12	Lockwasher, M12
9	12	NLM16	Nord-Lock bricka, M16	Lockwasher, M16



## C55146: Sågcyylinder, C16 / Cutting cylinder

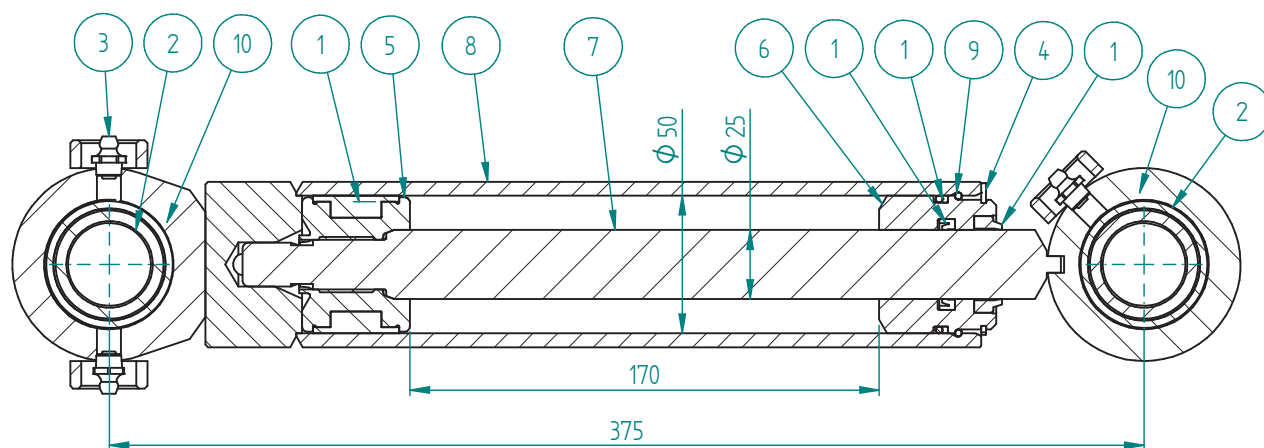
Pos. Item	Antal Qty	Reservdelsnummer Part Number	Benämning	Name
1	1	801086	Ledlager	Spherical plain bearing
2	1	500077	P-sats, C55146	Packing kit, C55146



	<h1>C16</h1> <p>Reservdelar / Spare parts</p>	C16_G13	151113
		<p>Grupp / Section <b>13</b></p> <p>Sida / Page <b>54</b></p>	

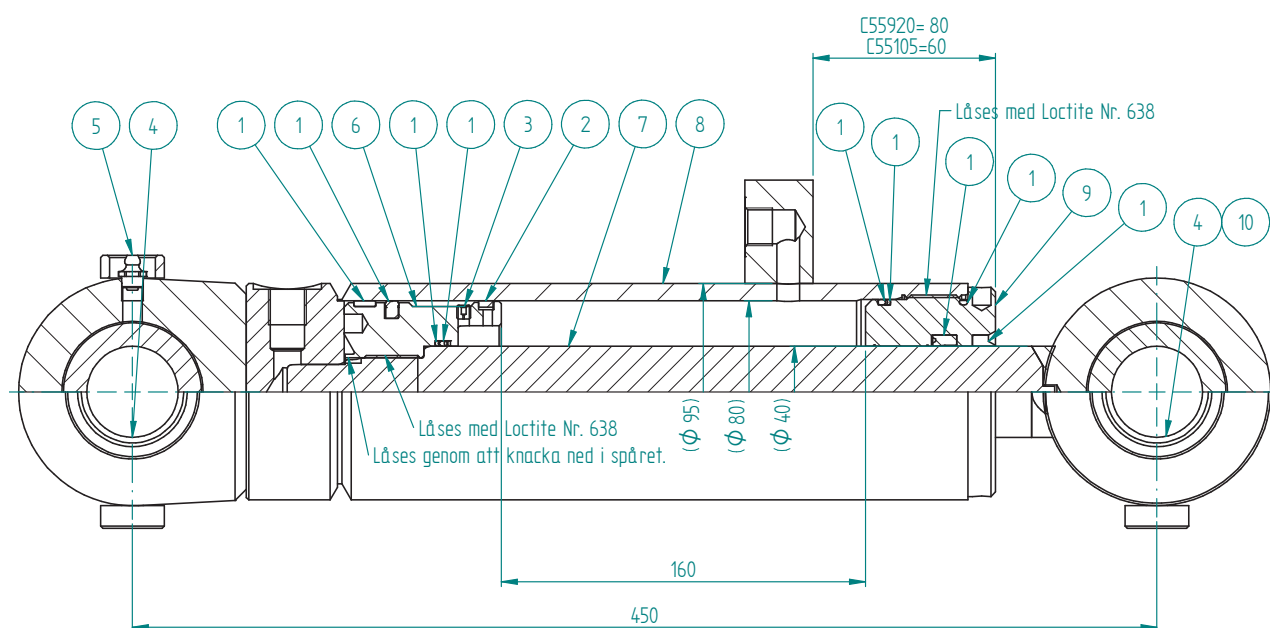
## C55114: Cylinder 50/25x170

Pos. Item	Antal Qty	Reservdelsnummer Part Number	Benämning	Name
1	1	500074	P-sats, C55114	Packing kit, C55114
2	2	700010	Ledlager	Spherical plain bearing
3	3	800007	Smörjnippel KR 1/8 rak	Grease fitting
4	1	AK47	Låsring, AK47	Locking ring, AK47
5	1	C55115	Kolv, ø50	Piston, ø50
6	1	C55120	Toppmutter, 50/25	Top nut, 50/25
7	1	C55122	Kolvstång, ø25	Cylinder rod, ø25
8	1	C55123	Cylinder rör, 60/50	Cylinder pipe, 60/50
9	1	RB50	Rundtrådssäkring	Locking ring
10	2	SGH047	Låsring, SGH 47	Locking ring, SGH 47



## C55920: Cylinder 80/40x160 (C16.c, C16.b)

Pos. Item	Antal Qty	Reservdelsnummer Part Number	Benämning	Name
1	1	500094	P-Sats, Tiltcyl. C55920	Packing kit, C55920
2	1	500096	Kolvring, $\varnothing 80$	Piston ring, $\varnothing 80$
3	1	500102	Strypning	Restrictor
4	2	700015	Ledlager	Spherical plain bearing
5	3	800007	Smörjnippel KR 1/8 rak	Grease fitting
6	1	C55915	Kolv, $\varnothing 80$	Piston, $\varnothing 80$
7	1	C55918	Kolvstång $\varnothing 40$ SMST	Rod, $\varnothing 40$
8	1	C55919	Cylinderrör, $\varnothing 80$ SMST	Cylinder pipe, $\varnothing 80$
9	1	C56074	Toppmutter, 80/40	Top nut, 80/40
10	2	SGH062	Låsring, SGH062	Locking ring, SGH062



## C55105: Cylinder 80/40x160 (C16.a, C16.b)

Pos. Item	Antal Qty	Reservdelsnummer Part Number	Benämning	Name
1	1	500076	P-Sats, Tiltcyl. C55105	Packing kit, C55105
2	0			
3	0			
4	2	700015	Ledlager	Spherical plain bearing
5	3	800007	Smörjnippel KR 1/8 rak	Grease fitting
6	1	C55107	Kolv, $\varnothing 80$ , C55105	Piston, $\varnothing 80$ , C55105
7	1	C55111	Kolvstång, $\varnothing 40$ , C55105	Rod, $\varnothing 40$ , C55105
8	1	C55112	Cylinderrör, $\varnothing 80$ , C55105	Cylinder pipe, $\varnothing 80$ , C55105
9	1	C55110	Toppmutter, 80/40, C55105	Top nut, 80/40, C55105